



Mexico SEER14 inverter

Service Manual

New Released

Form: MEKETMCM-WX-190419

PAC inverter R410a 60Hz HP&CO SERIES

YEKE12BZTMCMOWX
YEKE24BZTMCMOWX
YFKE24BZTMCMORX
YKKE24BZTMCMORX
YEJE12BZTMCMOWX
YEJE24BZTMCMOWX
YFJE24BZTMCMORX
YKJE18BZTMCMORX

YEKE18BZTMCMOWX
YFKE18BZTMCMORX
YKKE12BZTMCMORX
YKKE18BZTMCMORX
YEJE18BZTMCMOWX
YFJE18BZTMCMORX
YKJE12BZTMCMORX
YKJE24BZTMCMORX



Issue Date
Apr. 19, 2019

CONTENTS

1. Precaution	1
1.1 Safety Precaution	1
1.2 Warning	1
2. Part Names and Features	4
2.1 Model Names of Indoor/Outdoor units	4
2.2 Part names of Indoor/Outdoor units	5
3. Dimension	15
3.1 Indoor Unit	15
3.2 Outdoor Unit	19
4. Service Space	20
4.1 Indoor Unit	20
4.2 Outdoor Unit	22
5. Refrigerant Cycle Diagram	23
6. Wiring Diagram	24
6.1 Indoor Unit	24
6.2 Outdoor Unit	40
7. Fan Curves	43
8 Electric Characteristics	47
9 Sound Level	48
9.1 Indoor unit.....	48
9.2 Outdoor unit.....	50
10 Accessories	51
11. The Specification of Power	53
13 Installation Details	55
13.1 Location selection.....	55
13.2 Indoor unit installation	55
13.3 Outdoor unit installation.....	62
13.4 Refrigerant pipe installation.....	63
13.5 Drainage pipe installation	67
13.6 Vacuum Drying and Leakage Checking.....	70
13.7 Additional refrigerant charge	71
13.8 Engineering of insulation	72
13.9 Engineering of electrical wiring	73
13.10 Test operation	73
14. Operation Characteristics	75
15. Electronic Function	76
15.1 Abbreviation.....	76
15.2 Display function	76
15.3 Main Protection.....	76
15.4 Operation Modes and Functions	77

16. Troubleshooting	84
16.1 Indoor Unit Error Display	85
16.2 Error Display on Two Way Communication Wired Controller	86
16.3 Outdoor unit error display	87
16.4 Diagnosis and Solution.....	91
16.5 Main parts check	121
17. Capacity table	128

1. Precaution

1.1 Safety Precaution

- To prevent injury to the user or other people and property damage, the following instructions must be followed.

- Incorrect operation due to ignoring instruction will cause harm or damage.

- Before service the unit, be sure to read this service manual at first.

1.2 Warning

➤ Installation

- Do not use a defective or underrated circuit breaker. Use this appliance on a dedicated circuit.

There is risk of fire or electric shock.

- For electrical work, contact the dealer, seller, a qualified electrician, or an authorized service center.

Do not disassemble or repair the product, there is risk of fire or electric shock.

- Always ground the product.

There is risk of fire or electric shock.

- Install the panel and the cover of control box securely.

There is risk of fire of electric shock.

- Always install a dedicated circuit and breaker.

Improper wiring or installation may cause electric shock.

- Use the correctly rated breaker of fuse.

There is risk of fire or electric shock.

- Do not modify or extend the power cable.

There is risk of fire or electric shock.

- Do not install, remove, or reinstall the unit by yourself (customer).

There is risk of fire, electric shock, explosion, or injury.

- Be caution when unpacking and installing the product.

Sharp edges could cause injury, be especially careful of the case edges and the fins on the condenser and evaporator.

- For installation, always contact the dealer or an authorized service center.

- Do not install the product on a defective installation stand.

- Be sure the installation area does not deteriorate with age.

If the base collapses, the air conditioner could fall with it, causing property damage, product failure, and personal injury.

- Do not let the air conditioner run for a long time when the humidity is very high and a door or a window is left open.

- Take care to ensure that power cable could not be pulled out or damaged during operation.

There is risk of fire or electric shock.

- Do not place anything on the power cable.

There is risk of fire or electric shock.

- Do not plug or unplug the power supply plug during operation.

There is risk of fire or electric shock.

- Do not touch (operation) the product with wet hands.

- Do not place a heater or other appliance near the power cable.

There is risk of fire and electric shock.

- Do not allow water to run into electrical parts.

It may cause fire, failure of the product, or electric shock.

- Do not store or use flammable gas or combustible near the product.

There is risk of fire or failure of product.

- Do not use the product in a tightly closed space for a long time.

Oxygen deficiency could occur.

- When flammable gas leaks, turn off the gas and open a window for ventilation before turn the product on.

- **If strange sounds or smoke comes from product, turn the breaker off or disconnect the power supply cable.**

There is risk of electric shock or fire.

- **Stop operation and close the window in storm or hurricane. If possible, remove the product from the window before the hurricane arrives.**

There is risk of property damage, failure of product, or electric shock.

- **Do not open the inlet grill of the product during operation. (Do not touch the electrostatic filter, if the unit is so equipped.)**

There is risk of physical injury, electric shock, or product failure.

- **When the product is soaked, contact an authorized service center.**

There is risk of fire or electric shock.

- **Be caution that water could not enter the product.**

There is risk of fire, electric shock, or product damage.

- **Ventilate the product from time to time when operating it together with a stove etc.**

There is risk of fire or electric shock.

- **Turn the main power off when cleaning or maintaining the product.**

There is risk of electric shock.

- **When the product is not be used for a long time, disconnect the power supply plug or turn off the breaker.**

There is risk of product damage or failure, or unintended operation.

- **Take care to ensure that nobody could step on or fall onto the outdoor unit.**

This could result in personal injury and product damage.

➤ CAUTION

- **Always check for gas (refrigerant) leakage after installation or repair of product.**

Low refrigerant levels may cause failure of product.

- **Install the drain hose to ensure that water is drained away properly.**

A bad connection may cause water leakage.

- **Keep level even when installing the product.**

It can avoid vibration of water leakage.

- **Do not install the product where the noise or hot air from the outdoor unit could damage the neighborhoods.**

It may cause a problem for your neighbors.

- **Use two or more people to lift and transport the product.**

- **Do not install the product where it will be exposed to sea wind (salt spray) directly.**

It may cause corrosion on the product.

Corrosion, particularly on the condenser and evaporator fins, could cause product malfunction or inefficient operation.

➤ Operational

- **Do not expose the skin directly to cool air for long time. (Do not sit in the draft).**

- **Do not use the product for special purposes, such as preserving foods, works of art etc. It is a consumer air conditioner, not a precision refrigerant system.**

There is risk of damage or loss of property.

- **Do not block the inlet or outlet of air flow.**

- **Use a soft cloth to clean. Do not use harsh detergents, solvents, etc.**

There is risk of fire, electric shock, or damage to the plastic parts of the product.

- **Do not touch the metal parts of the product when removing the air filter. They are very sharp.**

- **Do not step on or put anything on the product. (outdoor units)**

- **Always insert the filter securely. Clean the filter every two weeks or more often if necessary.**

A dirty filter reduces the efficiency of the air conditioner and could cause product malfunction or damage.

■ **Do not insert hands or other objects through air inlet or outlet while the product is operated.**

■ **Do not drink the water drained from the product.**

■ **Use a firm stool or ladder when cleaning or maintaining the product.**

Be careful and avoid personal injury.

■ **Replace the all batteries in the remote control with new ones of the same type. Do not mix old and new batteries or different types of batteries.**

There is risk of fire or explosion.

■ **Do not recharge or disassemble the batteries. Do not dispose of batteries in a fire.**

They may burn or explode.

■ **If the liquid from the batteries gets onto your skin or clothes, wash it well with clean water. Do not use the remote if the batteries have leaked.**

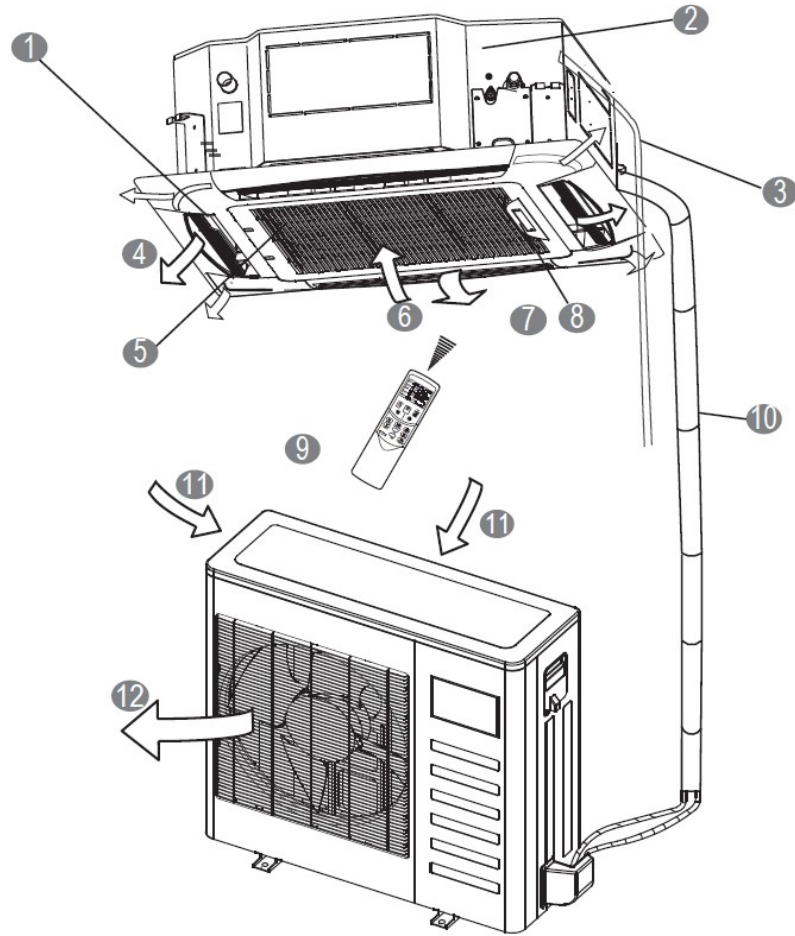
2. Part Names and Features

2.1 Model Names of Indoor/Outdoor units

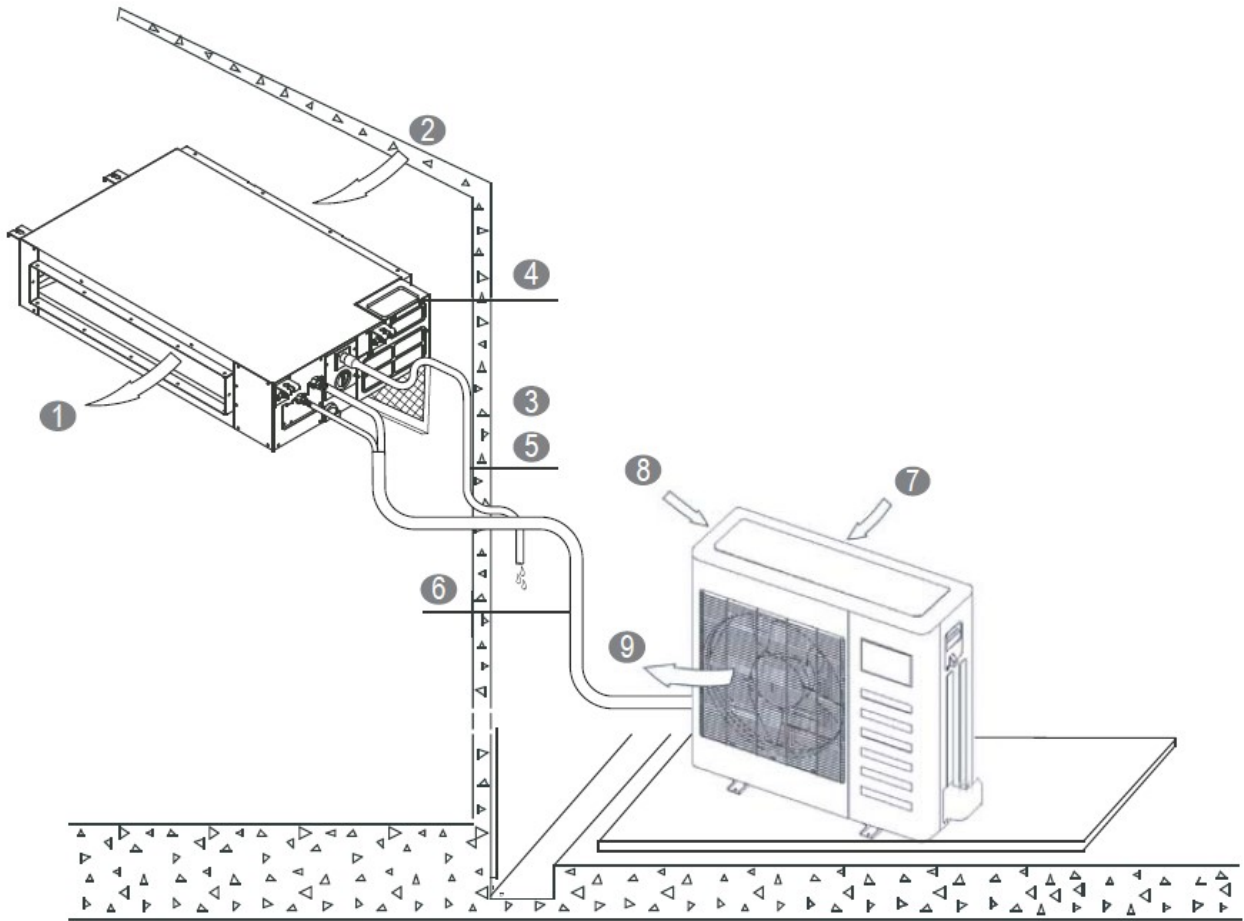
Series	Capacity	Indoor units	Outdoor units
Cassette	12K	YKKE12BXTMCM-RX, YKJE12BXTMCM-RX	YUKE12BYTMCMO-X, YUJE12BYTMCMO-X;
A6 Duct		YEKE12BXTMCM-WX, YEJE12BXTMCM-WX	
Cassette	18K	YKKE18BXTMCM-RX, YKJE18BXTMCM-RX	YUKE18BYTMCMO-X, YUJE18BYTMCMO-X;
Floor Ceiling		YFKE18BXTMCM-RX, YFJE18BXTMCM-RX	
A6 Duct		YEKE18BXTMCM-WX, YEJE18BXTMCM-WX	
A6 Duct	24K	YEKE24BXTMCM-WX, YEJE24BXTMCM-WX	YUKE24BYTMCMO-X, YUJE24BYTMCMO-X;
Cassette		YKKE24BXTMCM-RX, YKJE24BXTMCM-RX	
Floor Ceiling		YFKE24BXTMCM-RX, YFJE24BXTMCM-RX	

2.2 Part names of Indoor/Outdoor units

Cassette Units



- | | | | |
|---|--|---|-------------------|
| ① | Air flow louver(at air outlet) | ⑦ | Air-in grill |
| ② | Drain pump(drain water from indoor unit) | ⑧ | Display panel |
| ③ | Drain pipe | ⑨ | Remote controller |
| ④ | Air outlet | ⑩ | Refrigerant pipe |
| ⑤ | Air filter(inside air-in grill) | ⑪ | Air inlet |
| ⑥ | Air inlet | ⑫ | Air outlet |



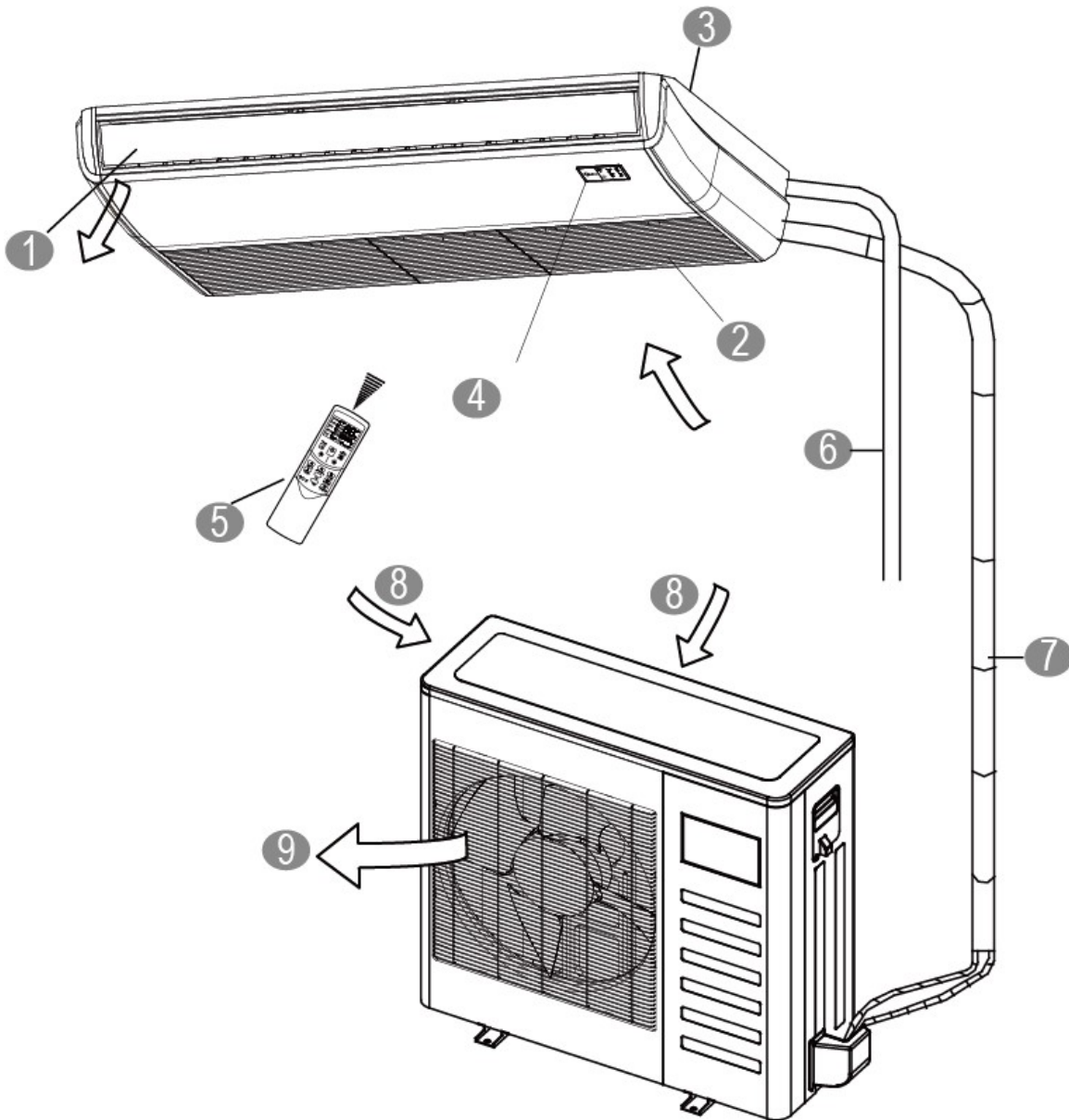
INDOOR UNIT

- ① Air outlet
- ② Air inlet
- ③ Air filter (on some models)
- ④ Electric control cabinet
- ⑤ Drain pipe

OUTDOOR UNIT

- ⑥ Connecting pipe
- ⑦ Air inlet
- ⑧ Air inlet (side and rear)
- ⑨ Air outlet

Ceiling-floor Units



INDOOR UNIT

- ① Air flow louver (at air outlet)
- ② Air inlet (with air filter in it)
- ③ Installation part
- ④ Display panel
- ⑤ Remote controller
- ⑥ Drain pipe

OUTDOOR UNIT

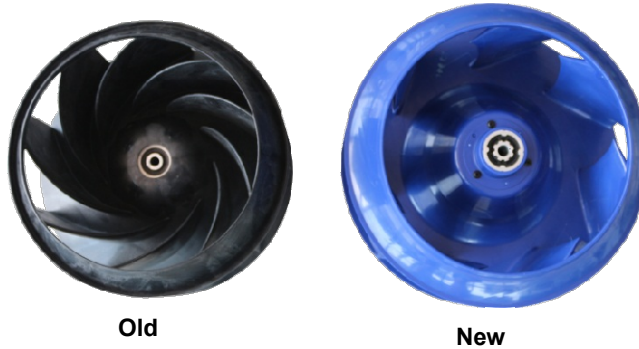
- ⑦ Connecting pipe
- ⑧ Air inlet
- ⑨ Air outlet

2.3 Features

2.3.1 Cassette Units

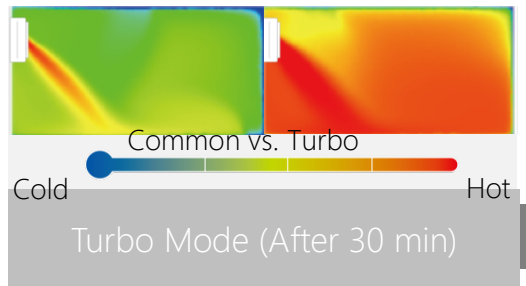
2.3.1.1 Lower Noise

- Optimize air channel system design to ensure the maximum quietness and comfort.
- Noise max down 6dB.



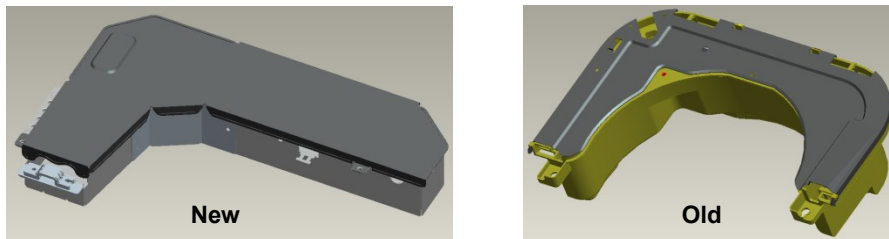
2.3.1.2 Turbo Mode (Optional)

- Turbo function can boost cooling or heating speed in a short period, and makes the room cool down or heat up rapidly.



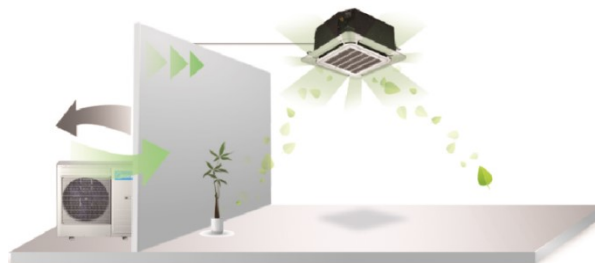
2.3.1.3 Fire-proof Controller Box

- Electrical control box adopts new design, which can meet higher fire safety requirements.



2.3.1.4 Fresh Air

- Fresh air intake function bring you fresh and comfortable air feeling.



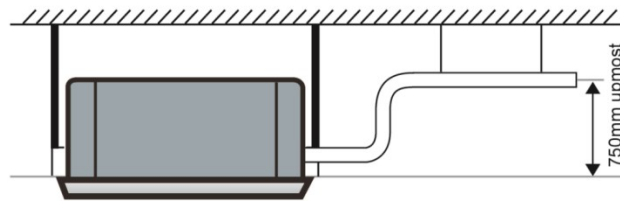
2.3.1.5 Wired Controller (Optional)

- Compared with infrared remote controller, wired controller can be fixed on the wall and avoid mislaying. It's mainly used for commercial zone and makes air conditioner control more convenient.



2.3.1.6 Build-in Drain Pump

- The drain pump can lift the condensing water up to 750mm upmost.
- It's convenient to install drainage piping under most space condition.



2.3.1.7 Terminals For Alarm Lamp and Long-distance On-off Controller Connection Are Standard

- Reserve terminals for the connection of alarm lamp and long-distance on-off controller, more human control.

2.3.2 Ceiling-floor Units

2.3.2.1 Two-way Installation

- The rounded design of the ceiling and floor type air conditioner allows either ceiling or floor-level installation. Ceiling installation saves room space, while floor installation helps prevent the loss of warm air.

2.3.2.2 Brief Design

- Brief design that is suitable for any interior will not only give you cooling and heating performance but also upgrade your lifestyle.

2.3.2.3 3D Airflow

Vertical air flow and horizontal airflow can be adjusted by remote controller, the cooperation of the two airflow ways help to spread air comfortably throughout even a large room. With these functions, the whole room can be evenly air-conditioned for both floor-level and ceiling installation.



2.3.2.4 Optional Drainage Pipe Connection

- Both right side and left side drainage holes are available to avoid the space limitation for drainage pipe installation. Make you more convenient during installation.

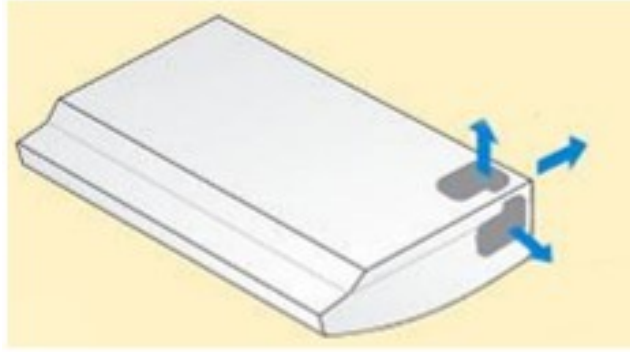


2.3.2.5 Convenience Operating and Easy Maintenance

- Remote controller as standard, wired controller for optional.
- The filter without screw fixed, can be took out easily.

2.3.2.6 Easy Installation, Save Working Time

- The pipes can be connected from bottom, back and right side, makes the installation more easily.
- The wiring works can be finished before installation.

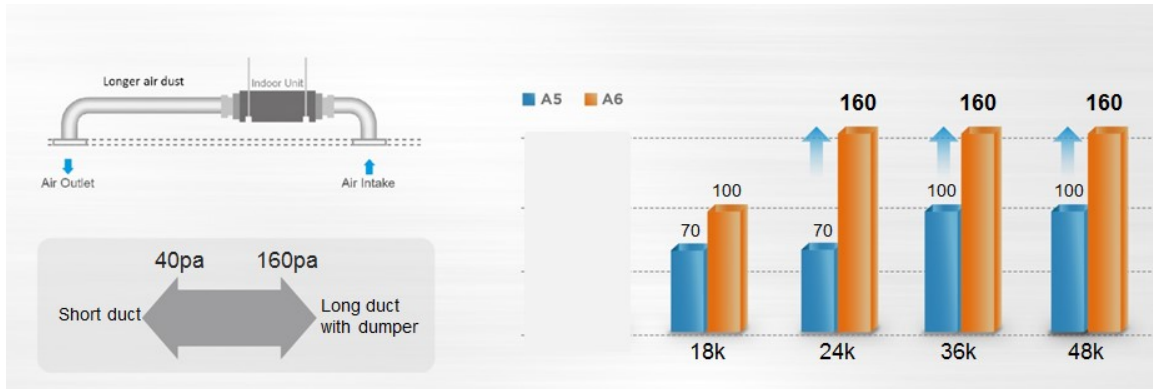


2.3.2.7 Outside Water Pump for Optional When Ceiling Installation.

2.3.3 A6 Duct Units

2.3.3.1. Higher Static Pressure

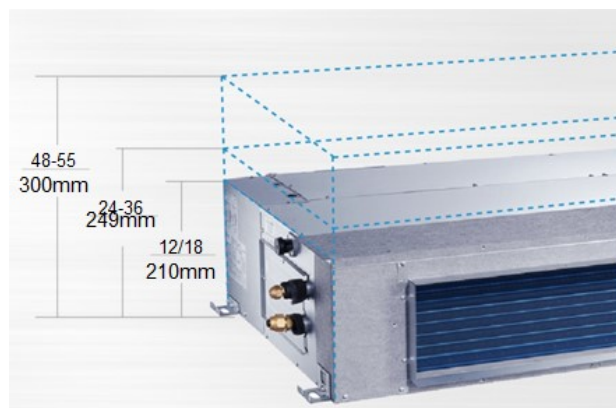
- As a ducted air conditioner with medium static pressure, it has the widest static pressure range.
- The maximum static pressure reaches 160Pa



2.3.3.2. Slim Design

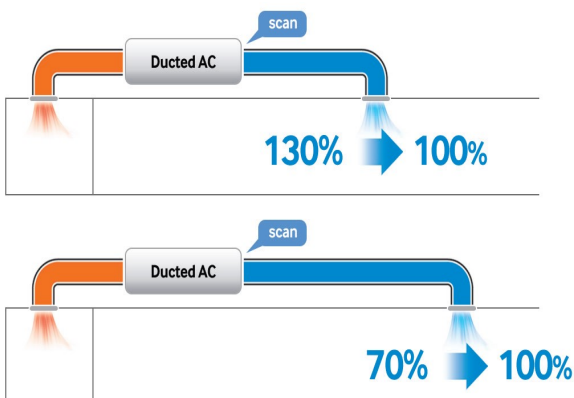
- The industry Lowest height is designed to be fitted into tight roof spaces.

*18K unit - 210mm, 24K/36K unit - 249mm, 48K unit - 300mm



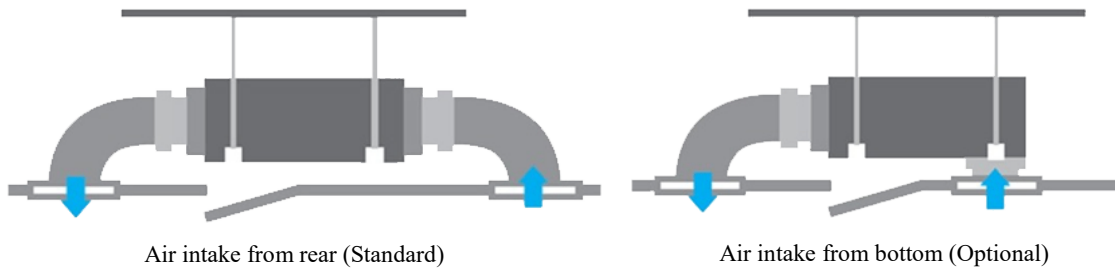
2.3.3.3. Constant air volume control

- For ordinary duct, when the static pressure exceeds the expected range, it is fairly difficult even for an experienced installer to calculate and adjust the air volume precisely.
- With constant air volume control technology, the duct will automatically adjust to perfect static pressure and keep constant air volume.



2.3.3.4. Flexible Air Intake Way (Bottom side or Rear side)

- The frame size of air inlet in rear and bottom is the same. It's very easy to switch to match different application.



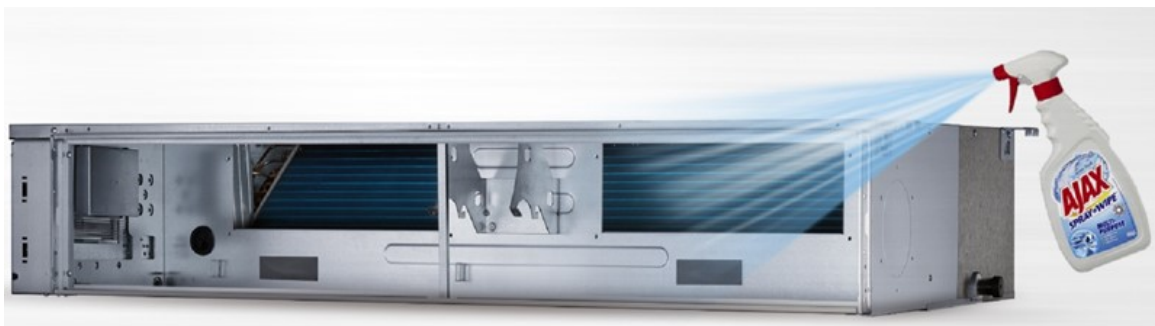
2.3.3.5. Communication wire connection

- A6 duct uses two wires without polarity connection way, which almost has no mistake during the installation.



2.3.3.6. Easy Clean

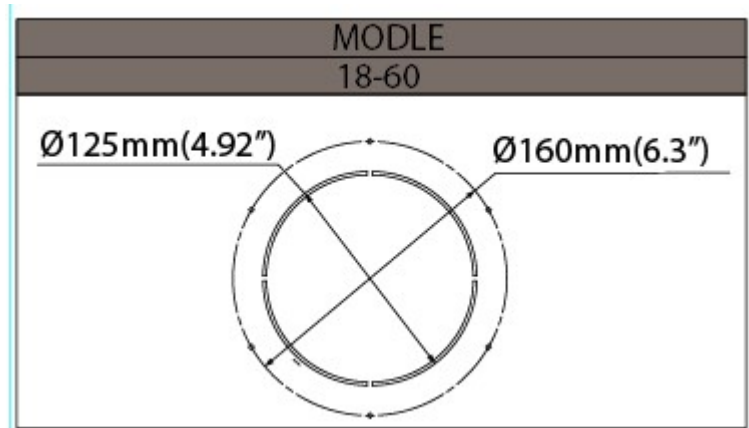
- With a larger window design, once the motor and the blower wheels have been detached, heat exchanger and water receiver tray in behind can be seen very clearly. Dust can be easily removed from the inside by vacuum



2.3.3.7. Fresh air intake function(Optional)

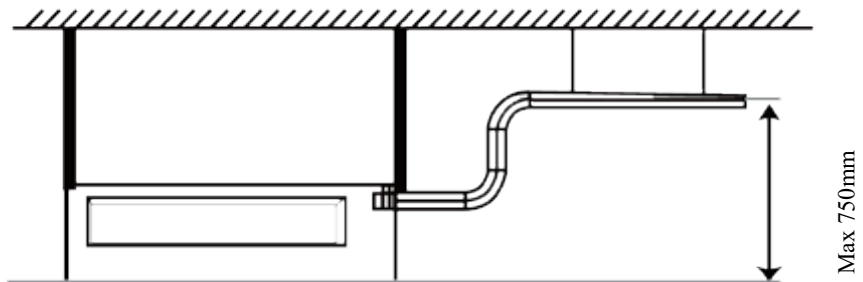
- Install one duct from the reserved fresh-air intake to outdoor. Continually inhale the fresh air to improve the quality of the indoor air, fulfills air quality more healthy and comfortable.

- A ventilation motor (provided by the installer) can be installed inside the fresh air duct to improve the fresh air volume. There are reserved ports for this motor on main PCB (Standard for 3D inverter units, and only optional for DC inverter 53~160 units).



2.3.3.8.Drain pump (Optional)

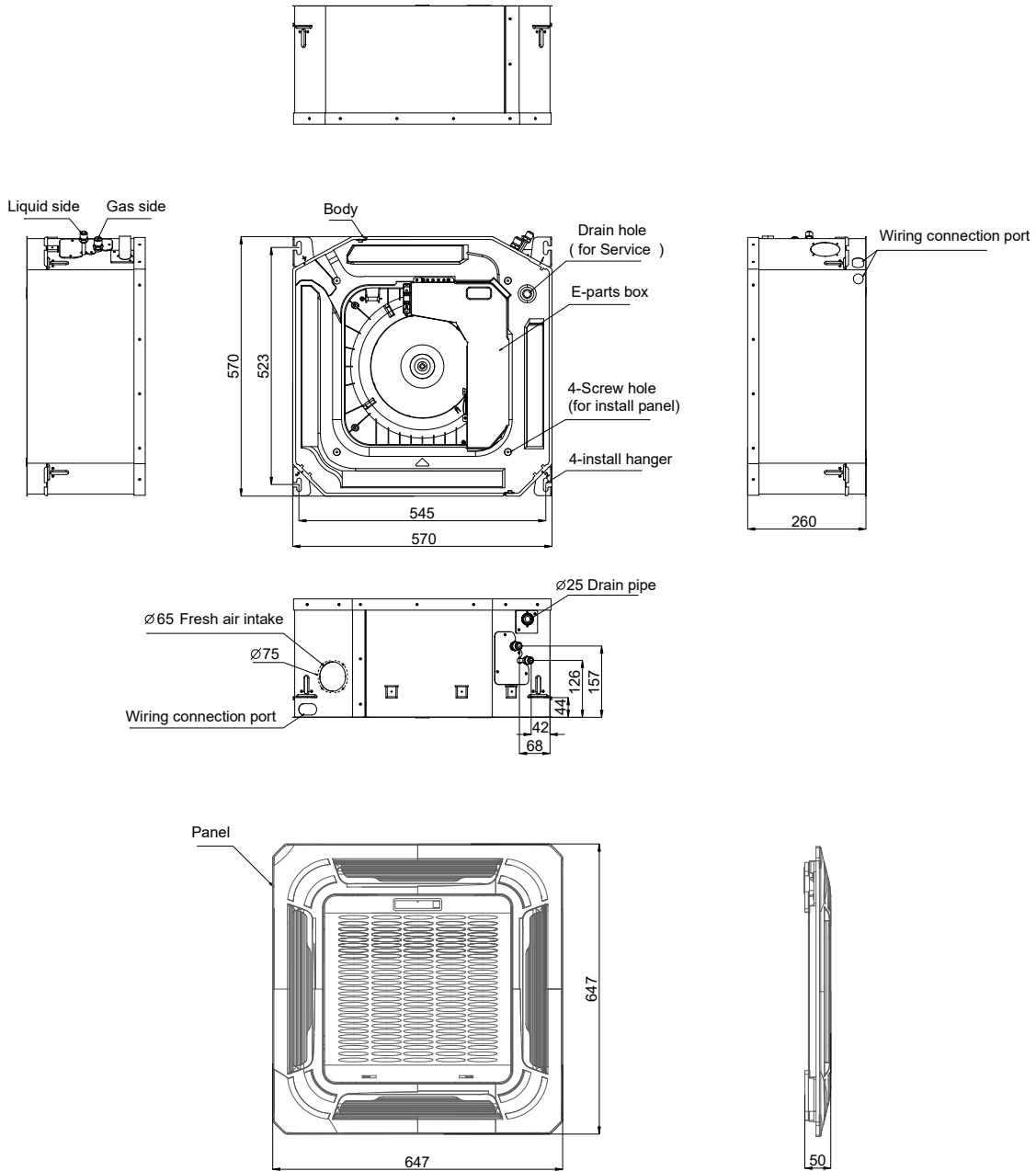
- Built-in drain pump can lift the water to 750mm upmost, which widens the drainage piping range.



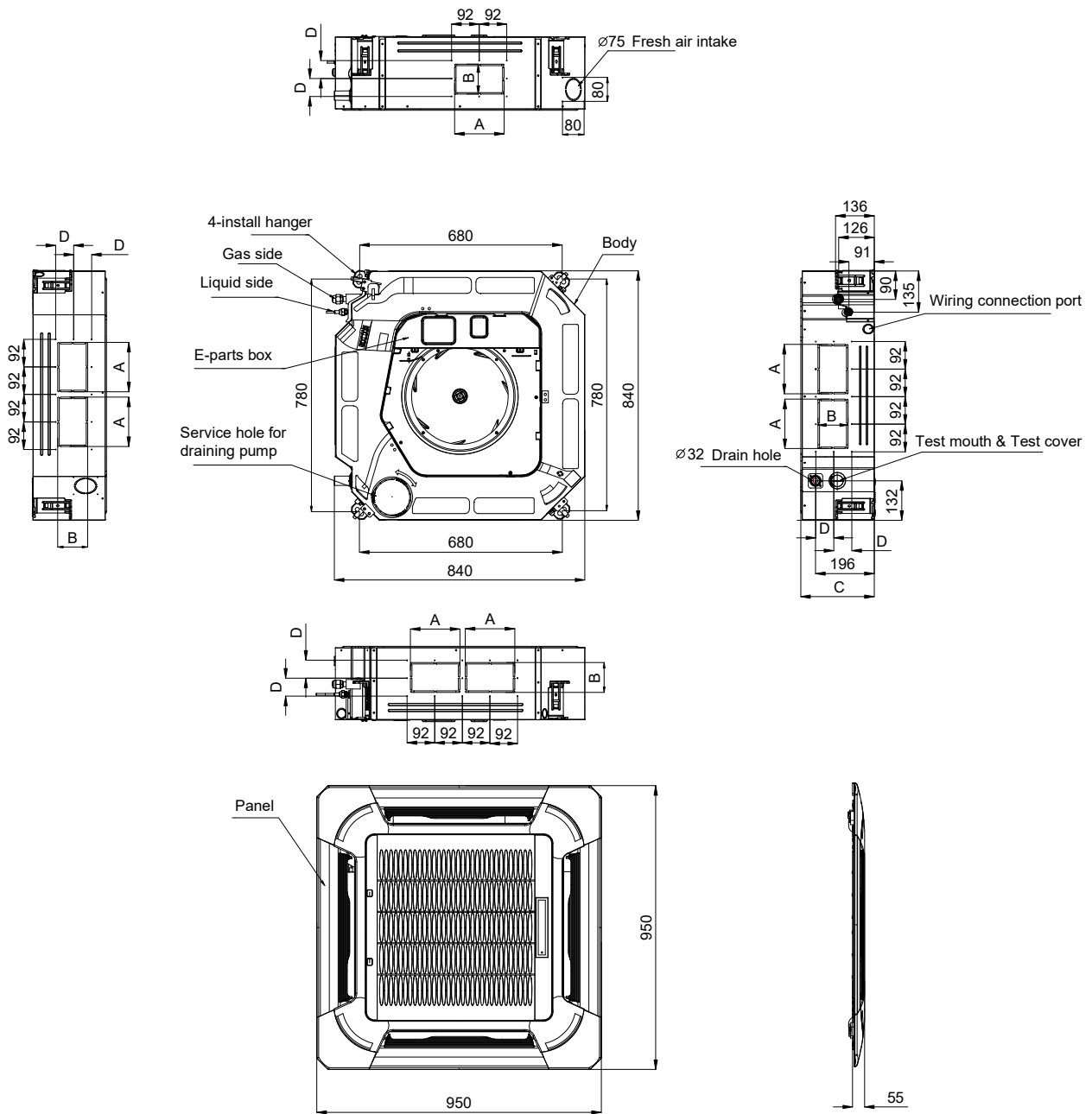
3. Dimension

3.1 Indoor Unit

Cassette Units(12K, 18K)

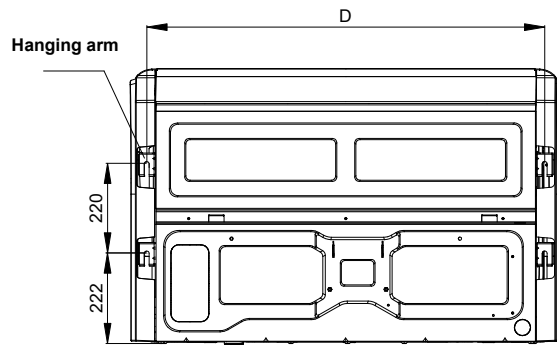
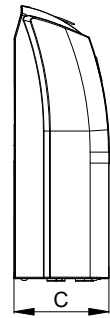
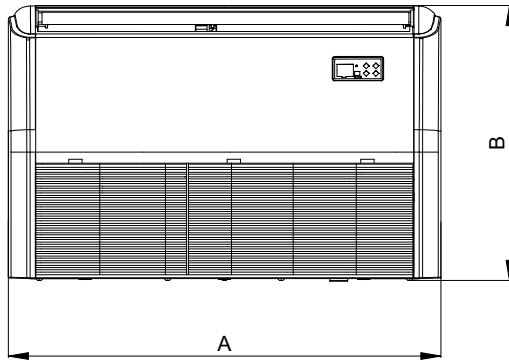
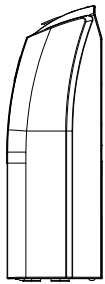
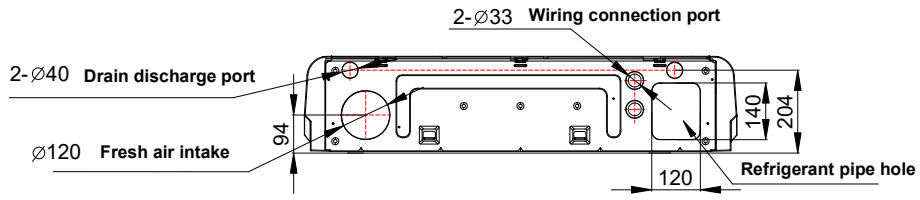


Cassette Units (24K)



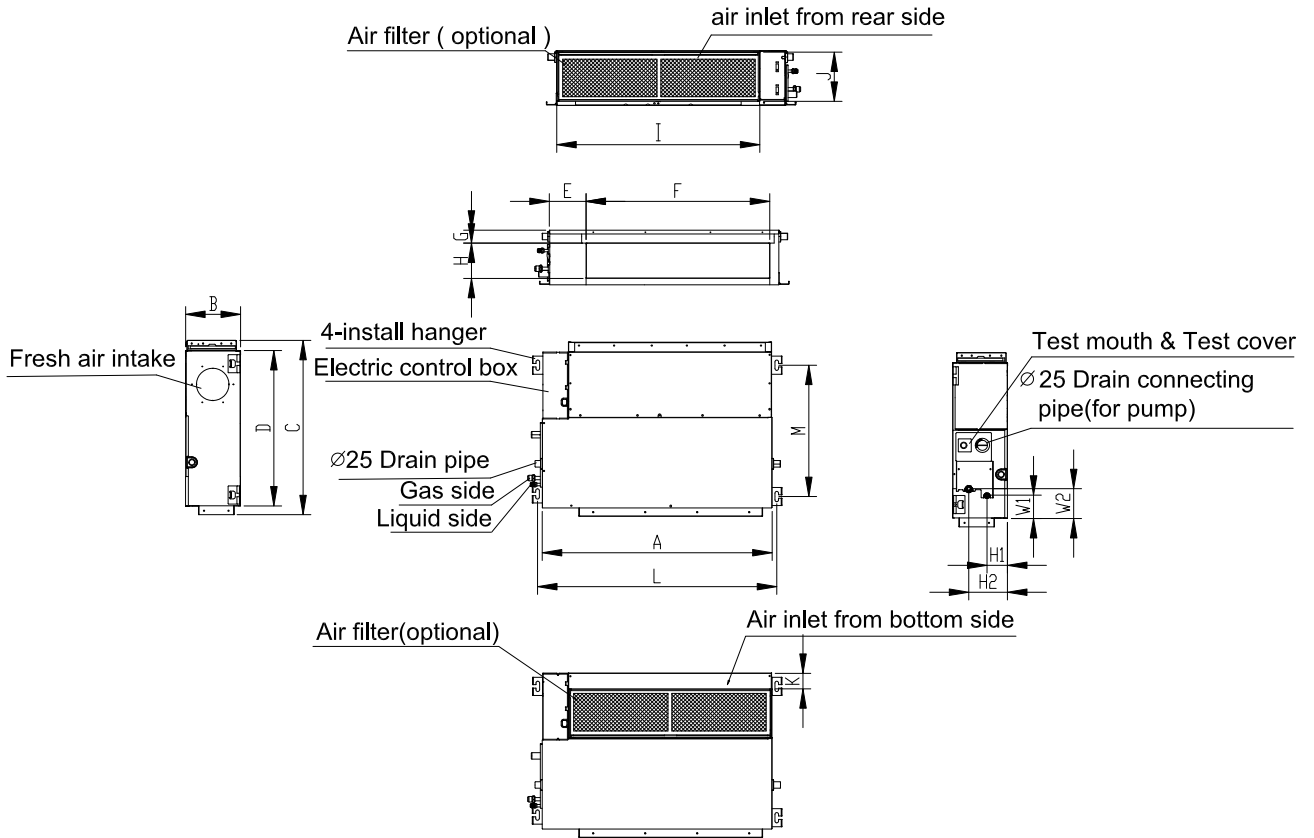
Capacity (Btu/h)		A	B	C	D
24K	mm	160	75	205	50
	inch	6.30	2.95	8.07	1.97

Ceiling-floor Units



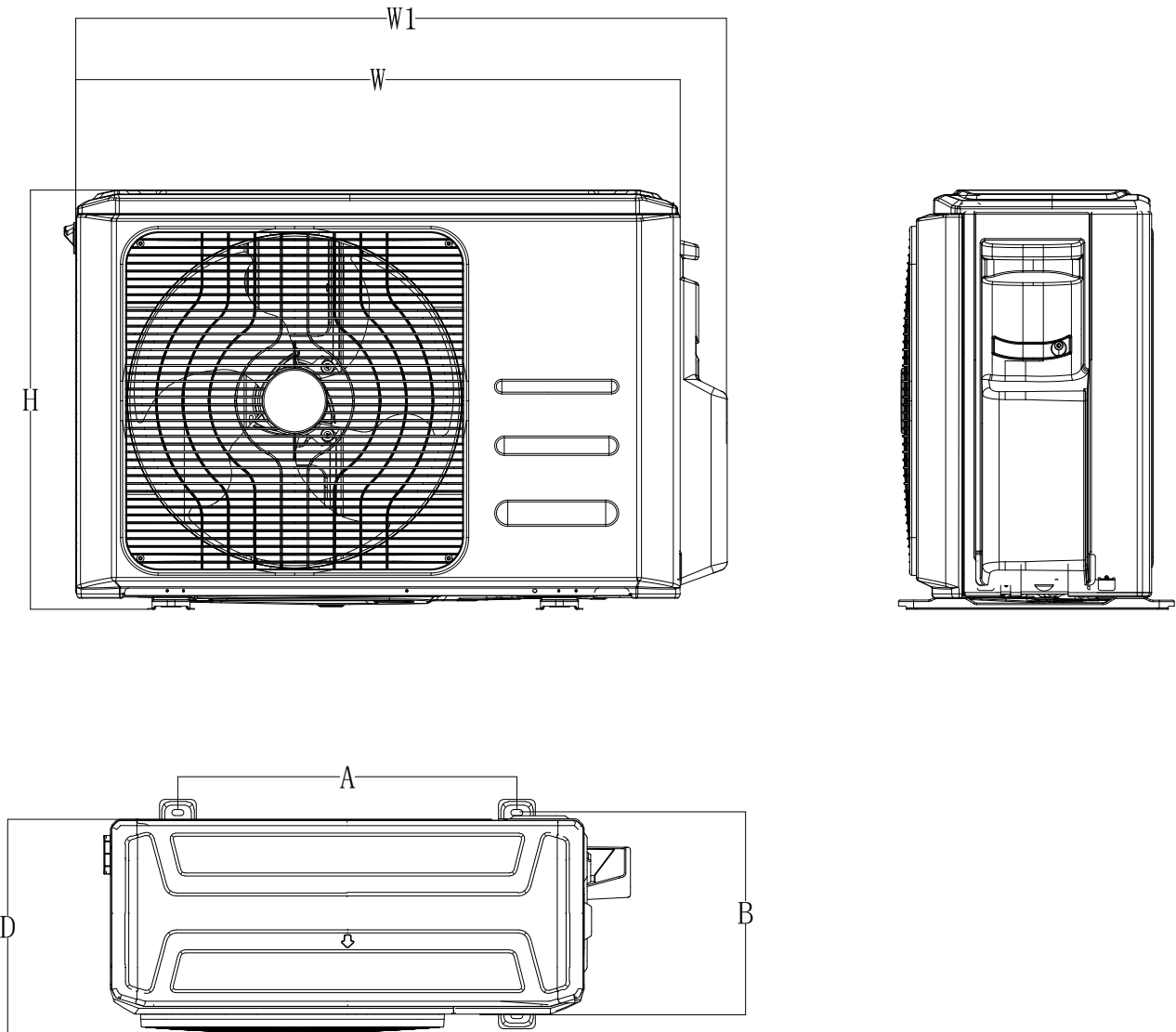
Capacity (Btu/h)		A	B	C	D
18K / 24K	mm	1068	675	235	983
	inch	42.05	26.57	9.25	38.70

A6 Duct Units



Model (KBtu/h)	unit	A	B	C	D	E	F	G	H	I	J	K	L	M	H1	H2	W1	W2
12	mm	700	200	506	450	137	537	30	152	599	186	50	741	360	84	140	84	84
	inch	27.6	7.9	19.9	17.7	5.4	21.1	1.2	6.0	23.6	7.3	2.0	29.2	14.2	3.3	5.5	3.3	3.3
18	mm	880	210	674	600	140	706	50	136	782	190	40	920	508	78	148	88	112
	inch	34.6	8.3	26.5	23.6	5.5	27.8	2.0	5.4	30.8	7.5	1.6	36.2	20.0	3.1	5.8	3.5	4.4
24	mm	1100	249	774	700	140	926	50	175	1001	228	5	1140	598	80	150	130	155
	inch	43.3	9.8	30.5	27.6	5.5	36.5	2.0	6.9	39.4	9.0	0.2	44.9	23.5	3.1	5.9	5.1	6.1

3.2 Outdoor Unit



Note: The above drawing is only for reference. The appearance of your units may be different.

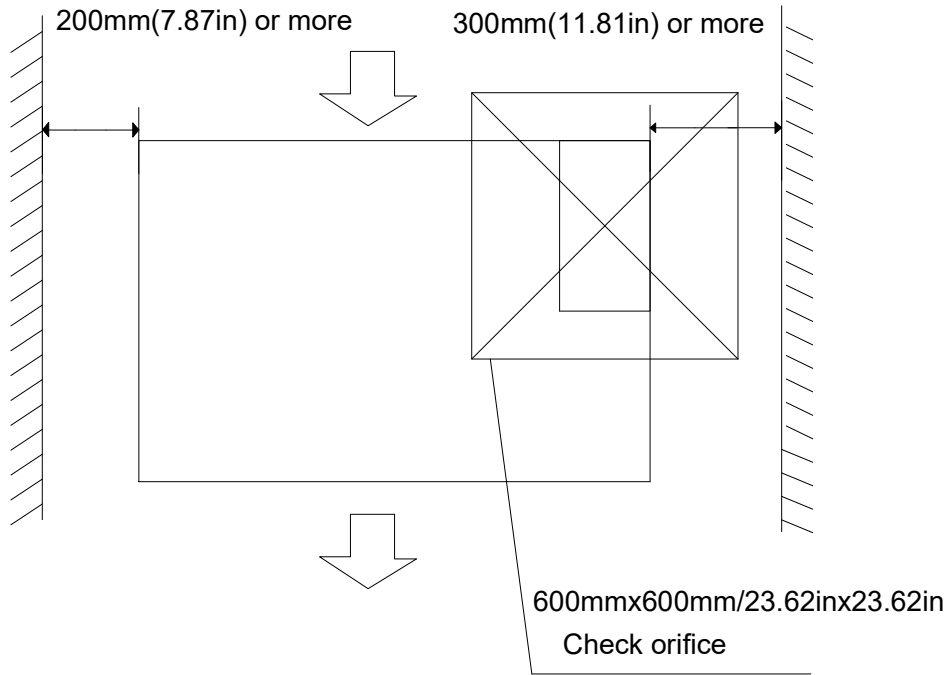
Model	unit	W	D	H	W1	A	B
YUKE12BYTMCMO-X YUJE12BYTMCMO-X	mm	800	333	554	870	514	340
	inch	31.5	13.1	21.8	34.3	20.2	13.4
YUKE18BYTMCMO-X YUJE18BYTMCMO-X	mm	845	363	702	914	540	350
	inch	33.3	14.3	27.6	36.0	21.3	13.8
YUKE24BYTMCMO-X YUJE24BYTMCMO-X	mm	946	410	810	1030	673	403
	inch	37.2	16.1	31.9	40.6	26.5	15.9

4. Service Space

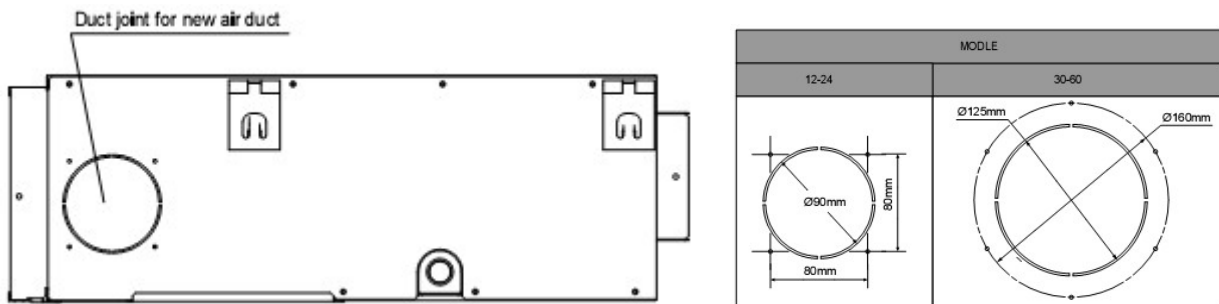
4.1 Indoor Unit

A6 Duct Units

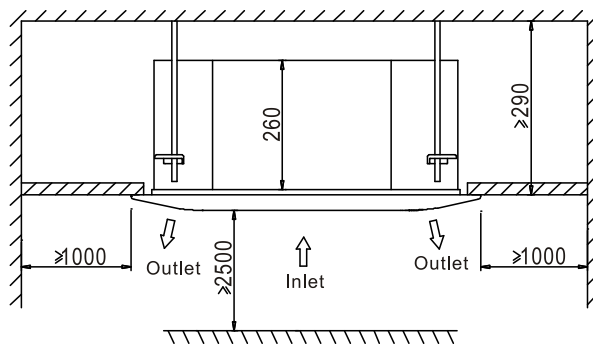
Ensure enough space required for installation and maintenance.



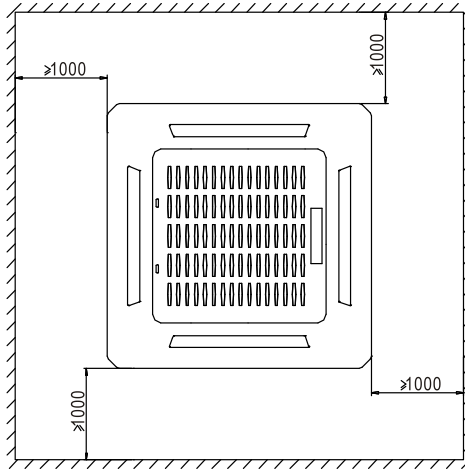
All the indoor units reserve the hole to connect the fresh air pipe. The hole size as following



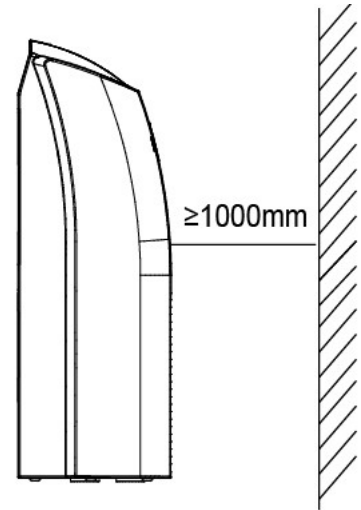
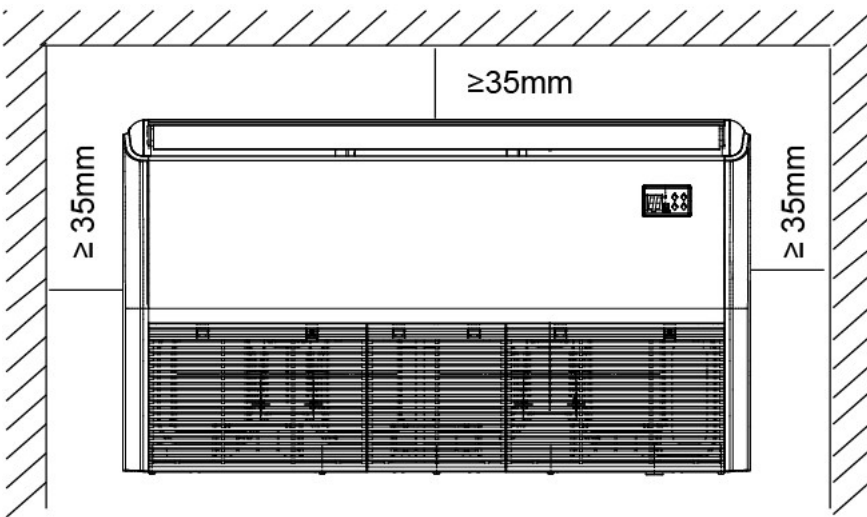
Cassette Units



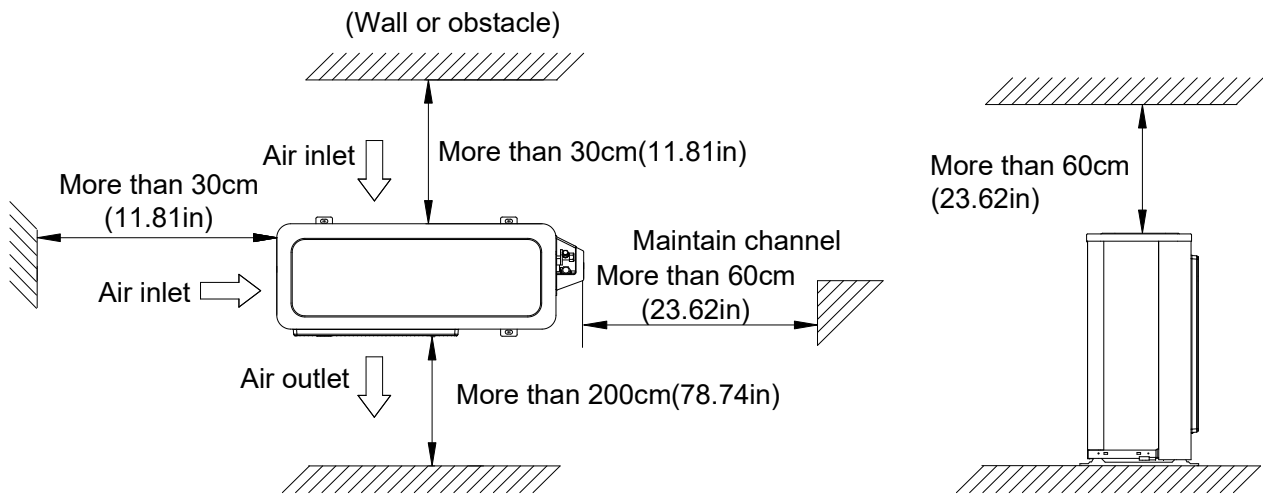
Unit: mm



Ceiling-floor Units

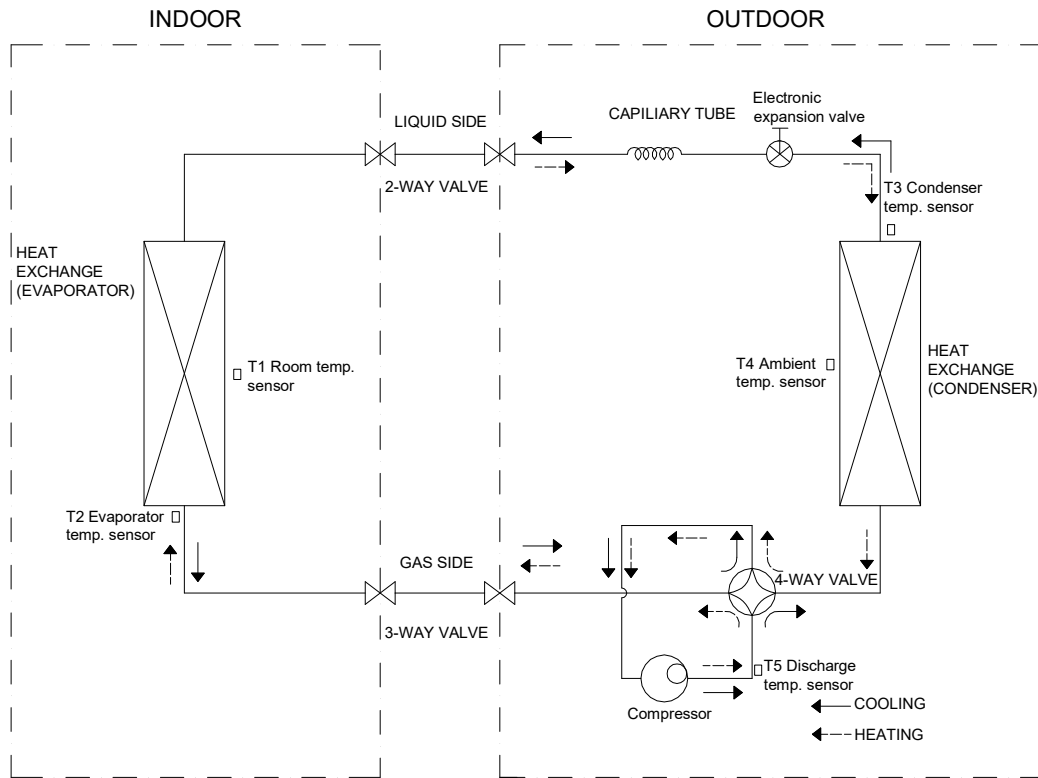


4.2 Outdoor Unit

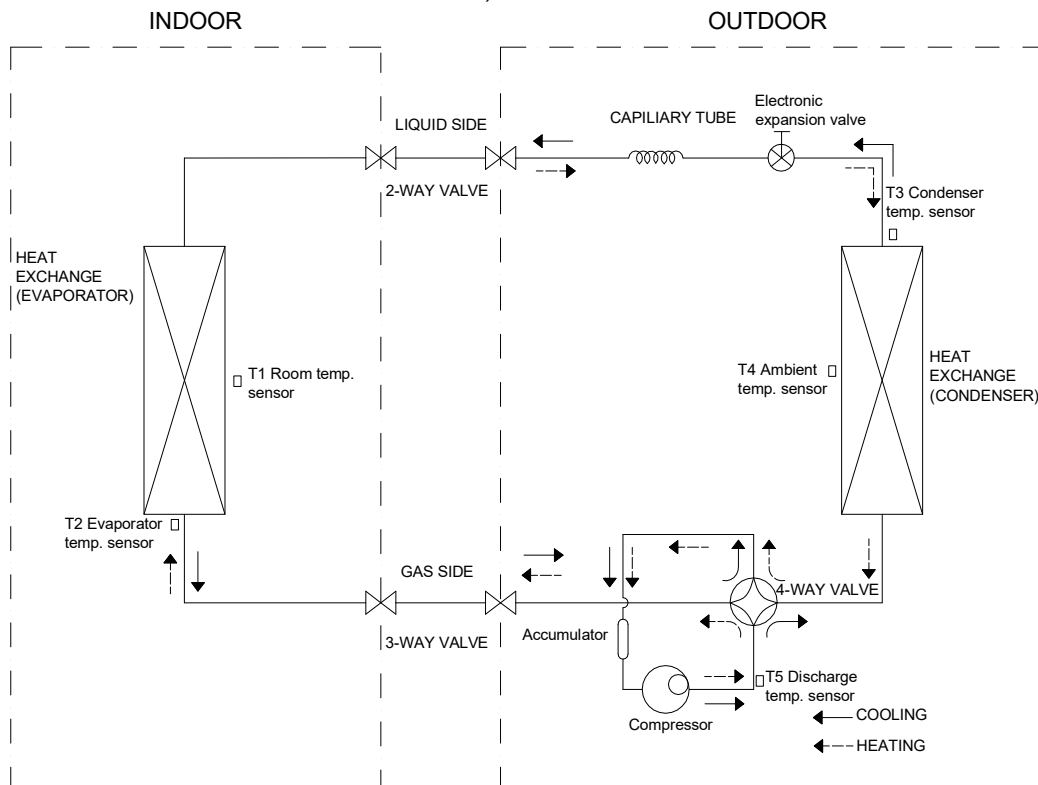


5. Refrigerant Cycle Diagram

YUKE24BYTMCMO-X, YUJE24BYTMCMO-X



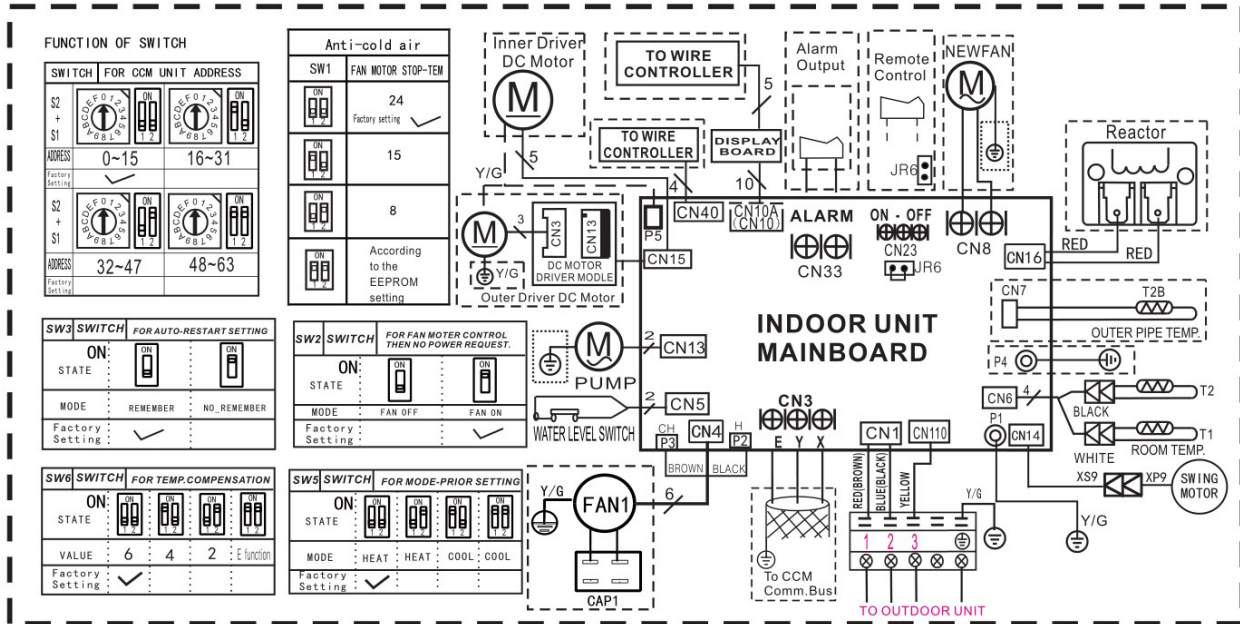
YUKE12BYTMCMO-X, YUJE12BYTMCMO-X, YUKE18BYTMCMO-X, YUJE18BYTMCMO-X



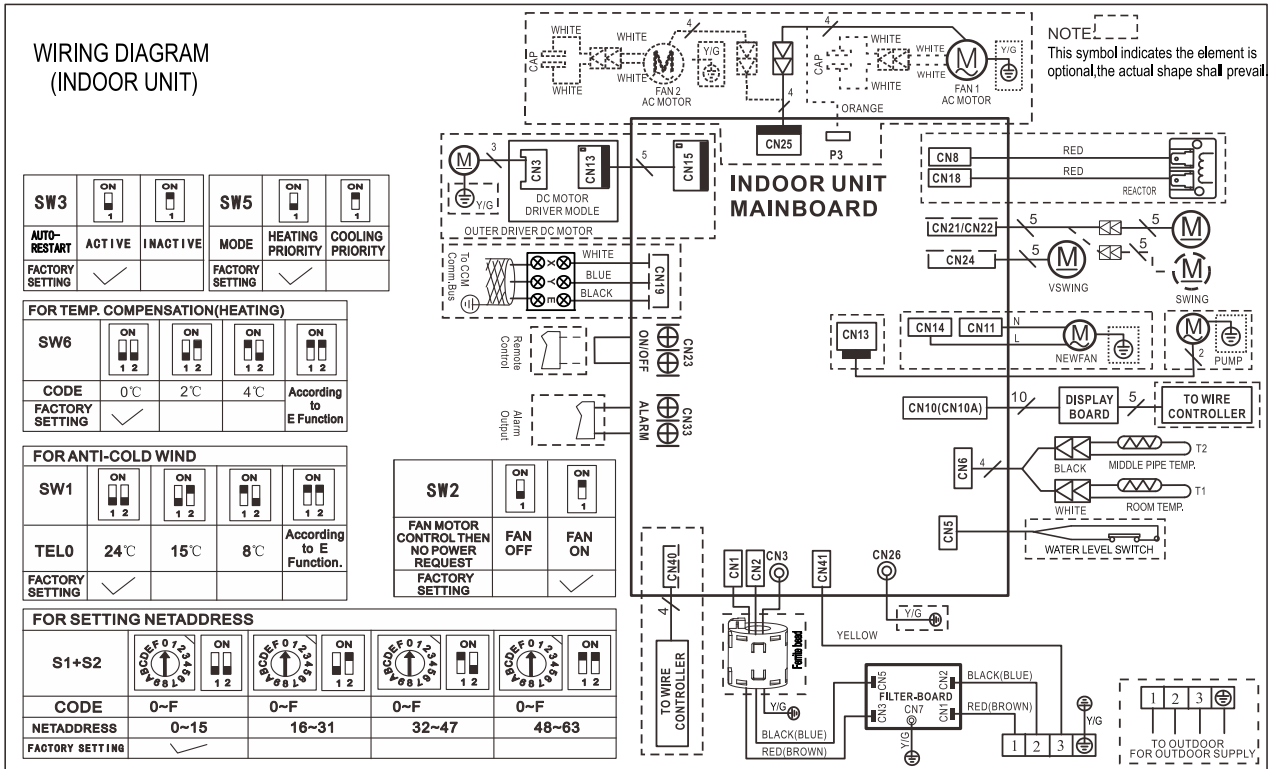
6. Wiring Diagram

6.1 Indoor Unit

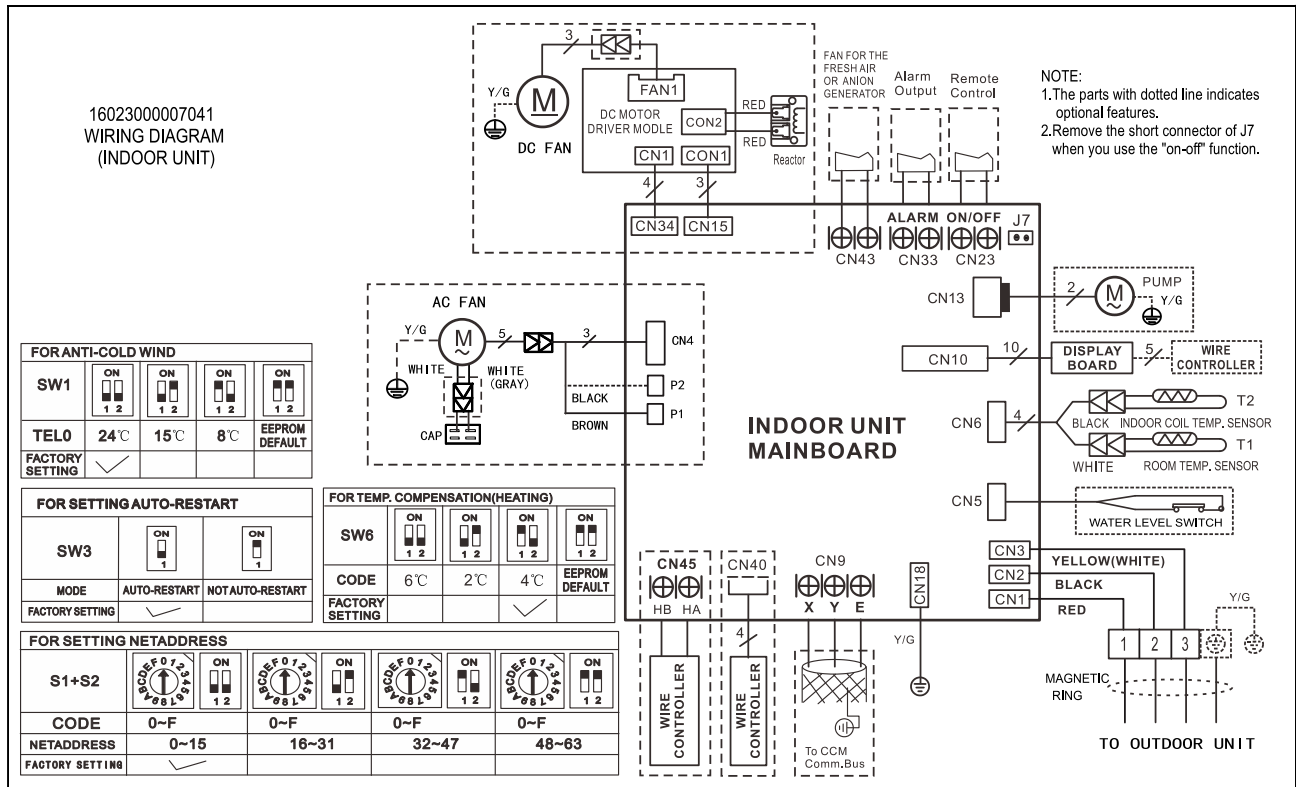
YKKE12BXTMCM-RX, YKJE12BXTMCM-RX, YKKE18BXTMCM-RX, YKJE18BXTMCM-RX



YFKE18BXTMCM-RX, YFJE18BXTMCM-RX, YFKE24BXTMCM-RX, YFJE24BXTMCM-RX

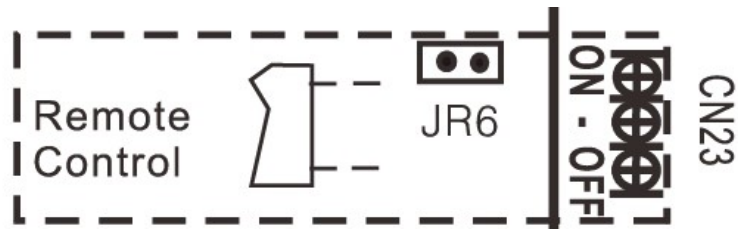


**YEKE12BXTMCM-WX, YEJE12BXTMCM-WX, YEKE18BXTMCM-WX, YEJE18BXTMCM-WX,
YEKE24BXTMCM-WX, YEJE24BXTMCM-WX**



6.1.1 Some connectors introduce:

YKKE12BXTMCM-RX, YKJE12BXTMCM-RX, YKKE18BXTMCM-RX, YKJE18BXTMCM-RX

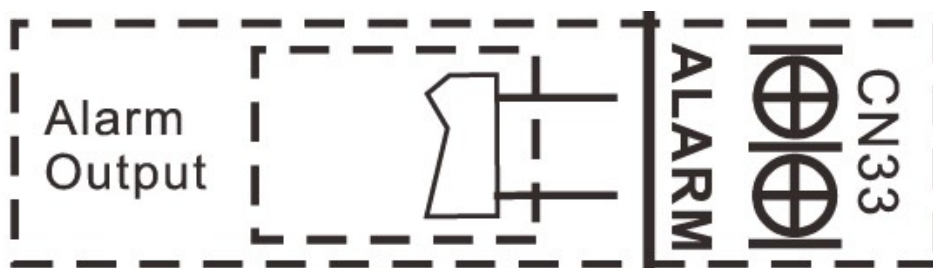
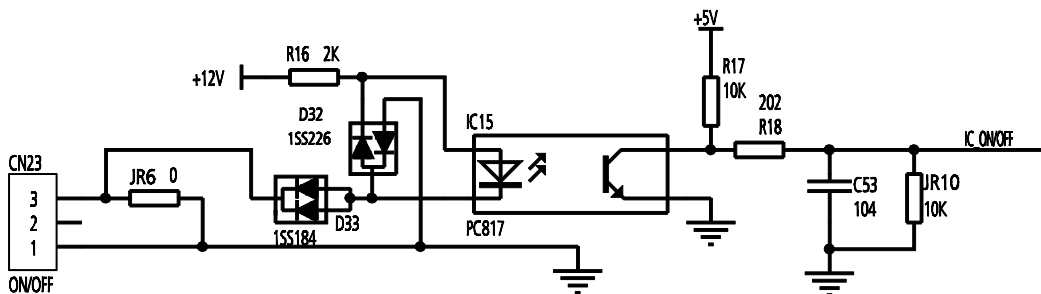


A For remote control (ON-OFF) terminal port CN23 and short connector of JR6

1. Remove the short connector of JR6 when you use ON-OFF function;
2. When remote switch off (OPEN), the unit would be off;
3. When remote switch on (CLOSE), the unit would be on;
4. When close/open the remote switch, the unit would be responded the demand within 2 seconds;
5. When the remote switch on. you can use remote controller/ wire controller to select the mode what you want ;when the remote switch off , the unit would not respond the demand from remote controller/wire controller.

When the remote switch off, but the remote controller / wire controller are on, CP code would be shown on the display board.

6.The voltage of the port is 12V DC , design Max. current is 5mA.

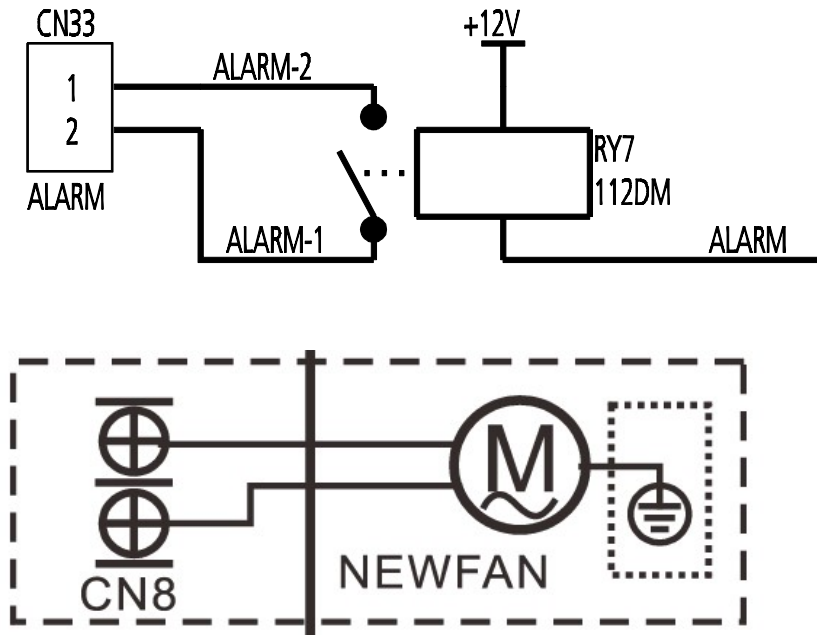


B For ALARM terminal port CN33

1. Provide the terminal port to connect ALARM ,but no voltage of the terminal port , the power from the ALARM system (not from the unit)
2. Although design voltage can support higher voltage, but we strongly ask you connect the power less

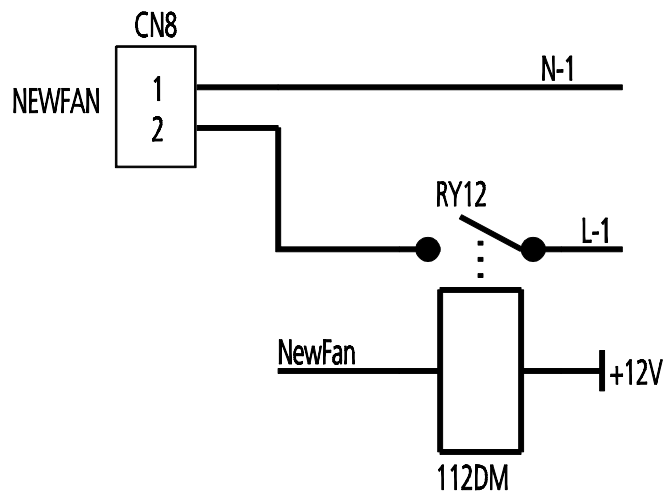
than 24V, current less than 0.5A

3. When the unit occurs the problem, the relay would be closed, then ALARM works

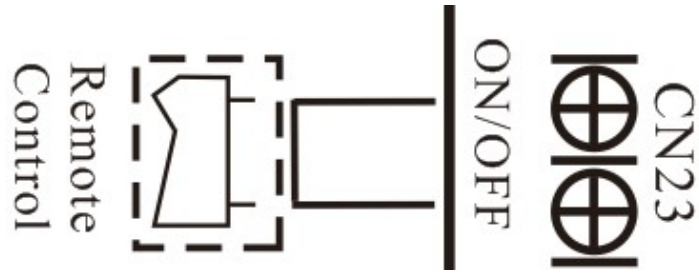


C. For new fresh motor terminal port CN8

1. Connect the fan motor to the port, no need care L/N of the motor;
2. The output voltage is the power supply;
3. The fresh motor cannot exceed 200W or 1A, follow the smaller one ;
4. The new fresh motor will be worked when the indoor fan motor work ;when the indoor fan motor stops , the new fresh motor would be stopped ;
5. When the unit enter force cooling mode or capacity testing mode, the fresh motor isn't work .



YFKE18BXTMCM-RX, YFJE18BXTMCM-RX, YFKE24BXTMCM-RX, YFJE24BXTMCM-RX,

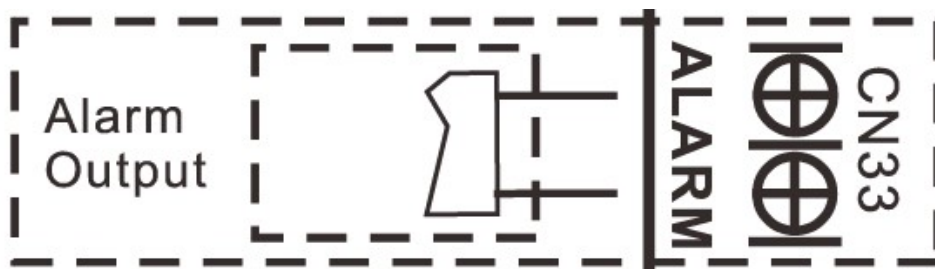
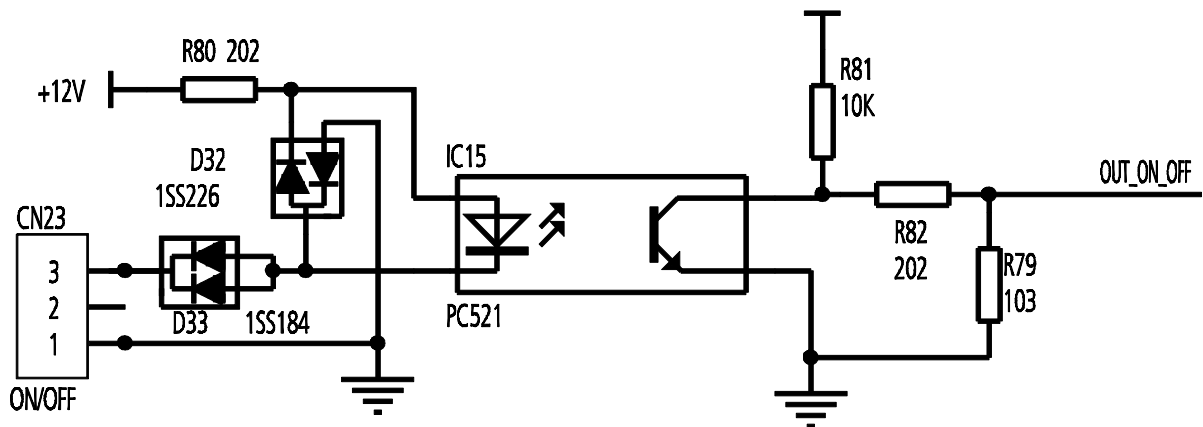


A For remote control (ON-OFF) terminal port CN23

1. Remove the short connector in CN23 when you use ON-OFF function;
2. When remote switch off (OPEN), the unit would be off;
3. When remote switch on (CLOSE), the unit would be on;
4. When close/open the remote switch, the unit would be responded the demand within 2 seconds;
5. When the remote switch on. You can use remote controller/wire controller to select the mode what you want; when the remote switch off, the unit would not respond the demand from remote controller/wire controller.

When the remote switch off, but the remote controller/wire controller are on, CP code would be shown on the display board.

6. The voltage of the port is 12V DC, design Max. current is 5mA.

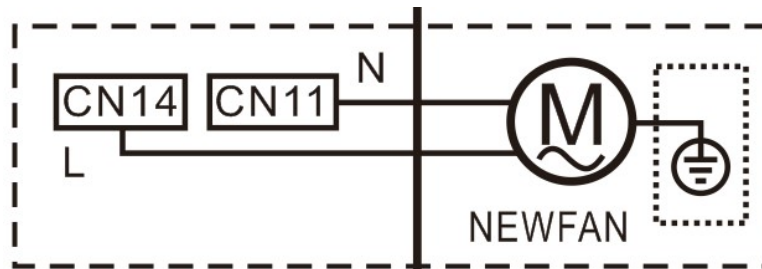
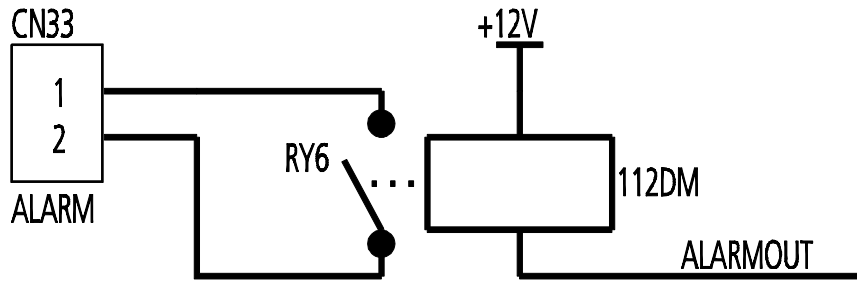


B For ALARM terminal port CN33

1. Provide the terminal port to connect ALARM, but no voltage of the terminal port , the power from the ALARM system (not from the unit)
2. Although design voltage can support higher voltage, but we strongly ask you connect the power less

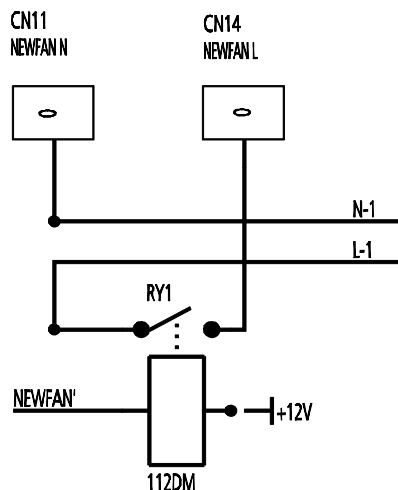
than 24V, current less than 0.5A

3. When the unit occurs the problem, the relay would be closed, then ALARM works

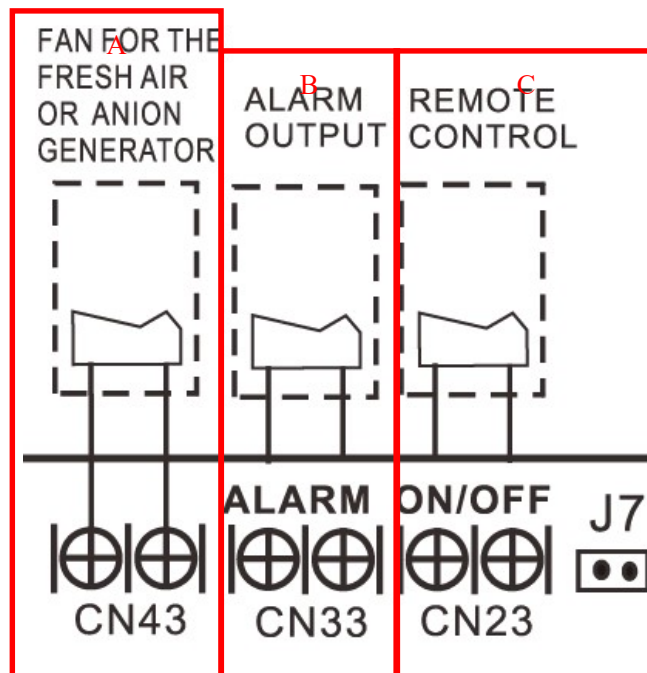


C. For new fresh motor terminal port CN14&CN14

1. Connect the fan motor to the port, no need care L/N of the motor;
2. The output voltage is the power supply;
3. The fresh motor cannot exceed 200W or 1A, follow the smaller one;
4. The new fresh motor will be worked when the indoor fan motor work ;when the indoor fan motor stops, the new fresh motor would be stopped;
5. When the unit enter force cooling mode or capacity testing mode, the fresh motor isn't work.

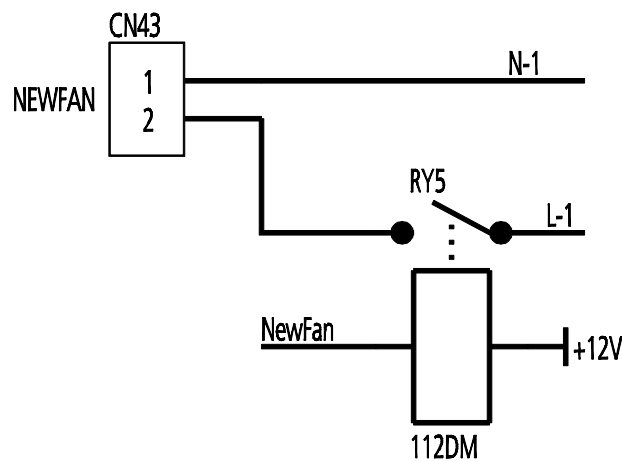


YEKE12BXTMCM-WX, YEJE12BXTMCM-WX, YEKE18BXTMCM-WX, YEJE18BXTMCM-WX,
 YEKE24BXTMCM-WX, YEJE24BXTMCM-WX,



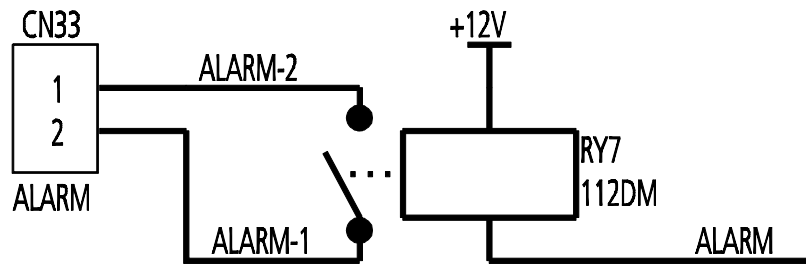
A. For new fresh motor terminal port (also for Anion generator) CN43:

1. Connect the fan motor to the port, no need care L/N of the motor;
2. The output voltage is the power supply;
3. The fresh motor cannot excess 200W or 1A, follow the smaller one;
4. The new fresh motor will be worked when the indoor fan motor work; when the indoor fan motor stops, the new fresh motor would be stopped;
5. When the unit enter force cooling mode or capacity testing mode, the fresh motor isn't work.



B For ALARM terminal port CN33

1. Provide the terminal port to connect ALARM, but no voltage of the terminal port, the power from the ALARM system (not from the unit)
2. Although design voltage can support higher voltage, but we strongly ask you connect the power less than 24V, current less than 0.5A
3. When the unit occurs the problem, the relay would be closed, then ALARM works

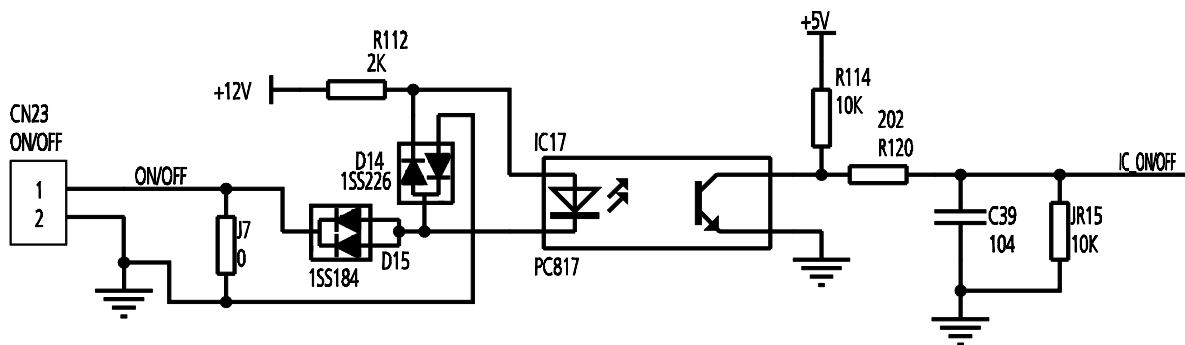


C. For remote control (ON-OFF) terminal port CN23 and short connector of J7

1. Remove the short connector of J7 when you use ON-OFF function;
2. When remote switch off (OPEN), the unit would be off;
3. When remote switch on (CLOSE), the unit would be on;
4. When close/open the remote switch, the unit would be responded the demand within 2 seconds;
5. When the remote switch on. You can use remote controller/wire controller to select the mode what you want; when the remote switch off, the unit would not respond the demand from remote controller/wire controller.

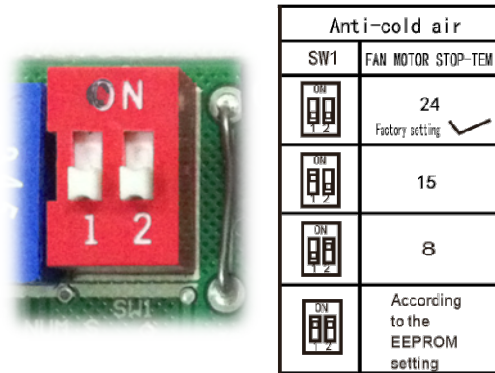
When the remote switch off, but the remote controller / wire controller are on, CP code would be shown on the display board.

6. The voltage of the port is 12V DC, design Max. current is 5mA.



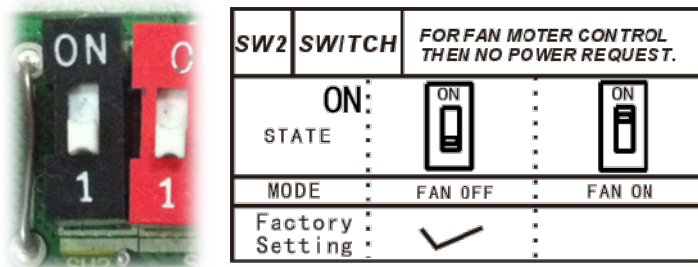
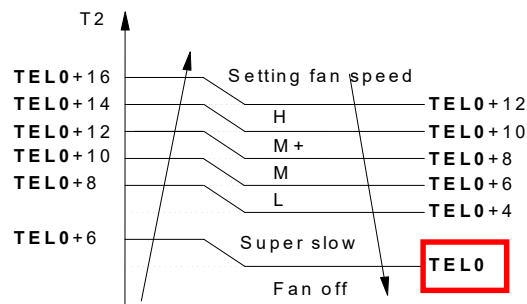
6.1.2 Micro-Switch Introduce:

YKKE12BXTMCM-RX, YKJE12BXTMCM-RX, YKKE18BXTMCM-RX, YKJE18BXTMCM-RX,



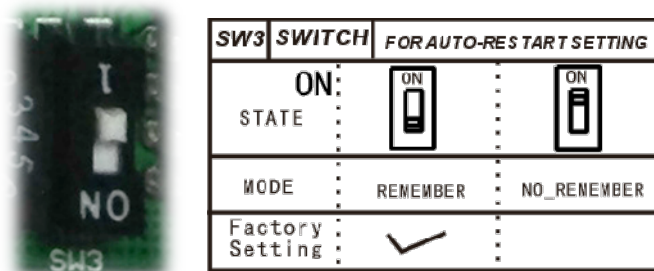
A. Micro-switch SW1 is for selection of indoor fan stop temperature (TEL0) when it is in anti-cold wind action in heating mode.

Range: 24°C, 15°C, 8 °C, according to EEROM setting (reserved for special customizing).



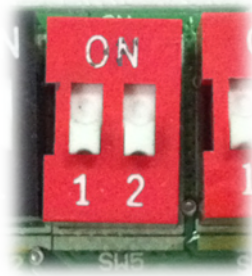
B. Micro-switch SW2 is for selection of indoor FAN ACTION if room temperature reaches the setpoint and the compressor stops.

Range: OFF (in 127s), Keep running.



C. Micro-switch SW3 is for selection of auto-restart function.

Range: Active, inactive



SW5	SWITCH	FOR MODE-PRIOR SETTING			
ON:					
STATE					
MODE		HEAT	HEAT	COOL	COOL
Factory Setting		✓			

D. Micro-switch SW5 is for setting mode priority of multi connection.

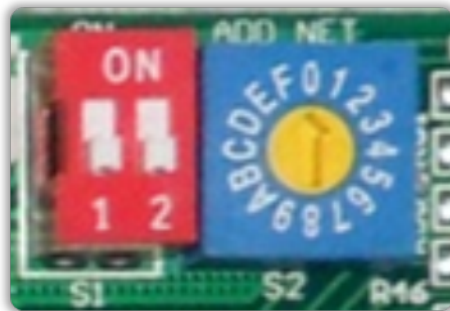
Range: Heat, cool.



SW6	SWITCH	FOR TEMP. COMPENSATION			
ON:					
STATE					
VALUE		6	4	2	E function
Factory Setting		✓			

E. Micro-switch SW6 is for selection of temperature compensation in heating mode. This helps to reduce the real temperature difference between ceiling and floor so that the unit could run properly. If the height of installation is lower, smaller value could be chosen.

Range: 6°C, 4°C, 2°C, E function (reserved for special customizing)




SWITCH	FOR CCM UNIT ADDRESS	
S2 + S1		
ADDRESS	0~15	16~31
Factory Setting	✓	
S2 + S1		
ADDRESS	32~47	48~63
Factory Setting		

F. Micro-switch S1 and dial-switch S2 are for address setting when you want to control this unit by a central controller.

Range: 00-63

**YFKE18BXTMCM-RX, YFJE18BXTMCM-RX, YFKE24BXTMCM-RX,
YFJE24BXTMCM-RX**

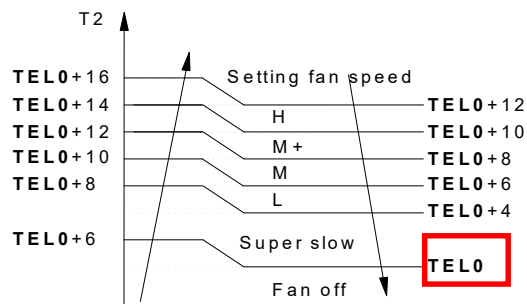


FOR ANTI-COLD WIND				
SW1				
TELO	24°C	15°C	8°C	According to E Function.
FACTORY SETTING	✓			

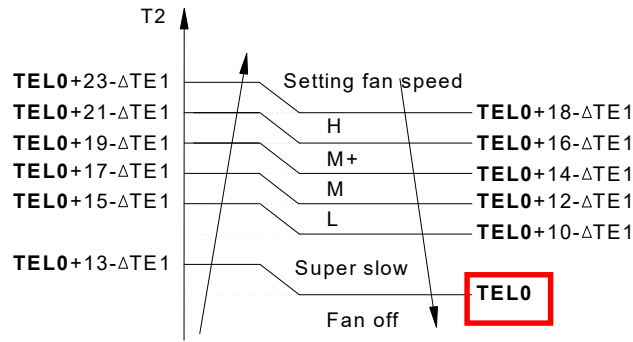
A. Micro-switch SW1 is for selection of indoor fan stop temperature (TELO) when it is in anti-cold wind action in heating mode.

Range: 24°C, 15°C, 8°C, According to EEROM setting (reserved for special customizing).

For YFKE24BXTMCM-RX, YFJE24BXTMCM-RX:



For YFKE18BXTMCM-RX, YFJE18BXTMCM-RX:



SW2		
FAN MOTOR CONTROL THEN NO POWER REQUEST	FAN OFF	FAN ON
FACTORY SETTING		✓

B. Micro-switch SW2 is for selection of indoor FAN ACTION if room temperature reaches the setpoint and the compressor stops.

Range: OFF (in 127s), Keep running.



FOR SETTING AUTO-RESTART		
SW3		
AUTO-RESTART	ACTIVE	INACTIVE
FACTORY SETTING	✓	

C. Micro-switch SW3 is for selection of auto-restart function.

Range: Active, inactive



SW5		
MODE	HEATING PRIORITY	COOLING PRIORITY
FACTORY SETTING	✓	

D. Micro-switch SW5 is for setting mode priority of multi connection.

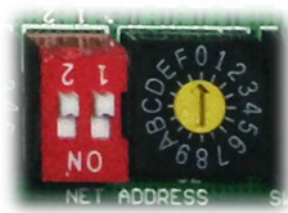
Range: Heat, cool.



FOR SETTING TEMP. COMPENSATION(HEATING)				
SW6				
CODE	0°C	2°C	4°C	According to E function
FACTORY SETTING	✓			

E. Micro-switch SW6 is for selection of temperature compensation in heating mode. This helps to reduce the real temperature difference between ceiling and floor so that the unit could run properly. If the unit is on-floor installed, 0 should be chosen.

Range: 0°C, 2°C, 4°C, E function (reserved for special customizing)

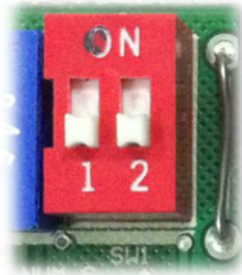


FOR SETTING NETADDRESS				
S1+S2				
CODE	0~F		0~F	
NETADDRESS	0~15	16~31	32~47	48~63
FACTORY SETTING	✓			

F. Micro-switch S1 and dial-switch S2 are for address setting when you want to control this unit by a central controller.

Range: 00-63

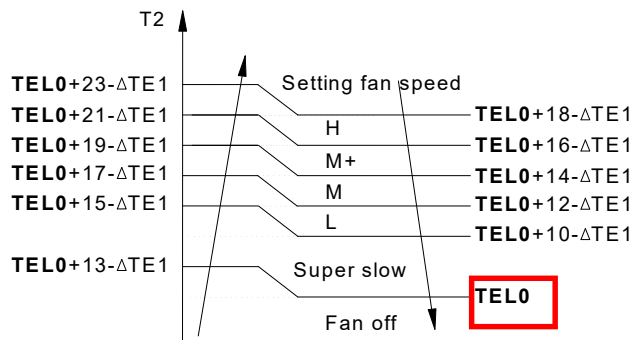
YEKE12BXTMCM-WX, YEJE12BXTMCM-WX, YEKE18BXTMCM-WX, YEJE18BXTMCM-WX, YEKE24BXTMCM-WX, YEJE24BXTMCM-WX



FOR ANTI-COLD WIND				
SW1				
TELO	24°C	15°C	8°C	EEPROM DEFAULT
FACTORY SETTING	✓			

A. Micro-switch SW1 is for selection of indoor fan stop temperature (TELO) when it is in anti-cold wind action in heating mode.

Range: 24°C, 15°C, 8°C, according to EEROM setting (reserved for special customizing).



FOR SETTING AUTO-RESTART		
SW3		
MODE	AUTO-RESTART	NOT AUTO-RESTART
FACTORY SETTING	✓	

B. Micro-switch SW3 is for selection of auto-restart function.

Range: Active, inactive

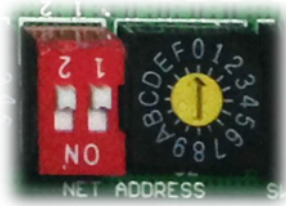


FOR TEMP. COMPENSATION(HEATING)				
SW6				
CODE	6°C	2°C	4°C	EEPROM DEFAULT
FACTORY SETTING	✓			

C. Micro-switch SW6 is for selection of temperature compensation in heating mode. This helps to reduce

the real temperature difference between ceiling and floor so that the unit could run properly. If the height of installation is lower, smaller value could be chosen.

Range: 6°C, 4°C, 2°C, E function (reserved for special customizing)



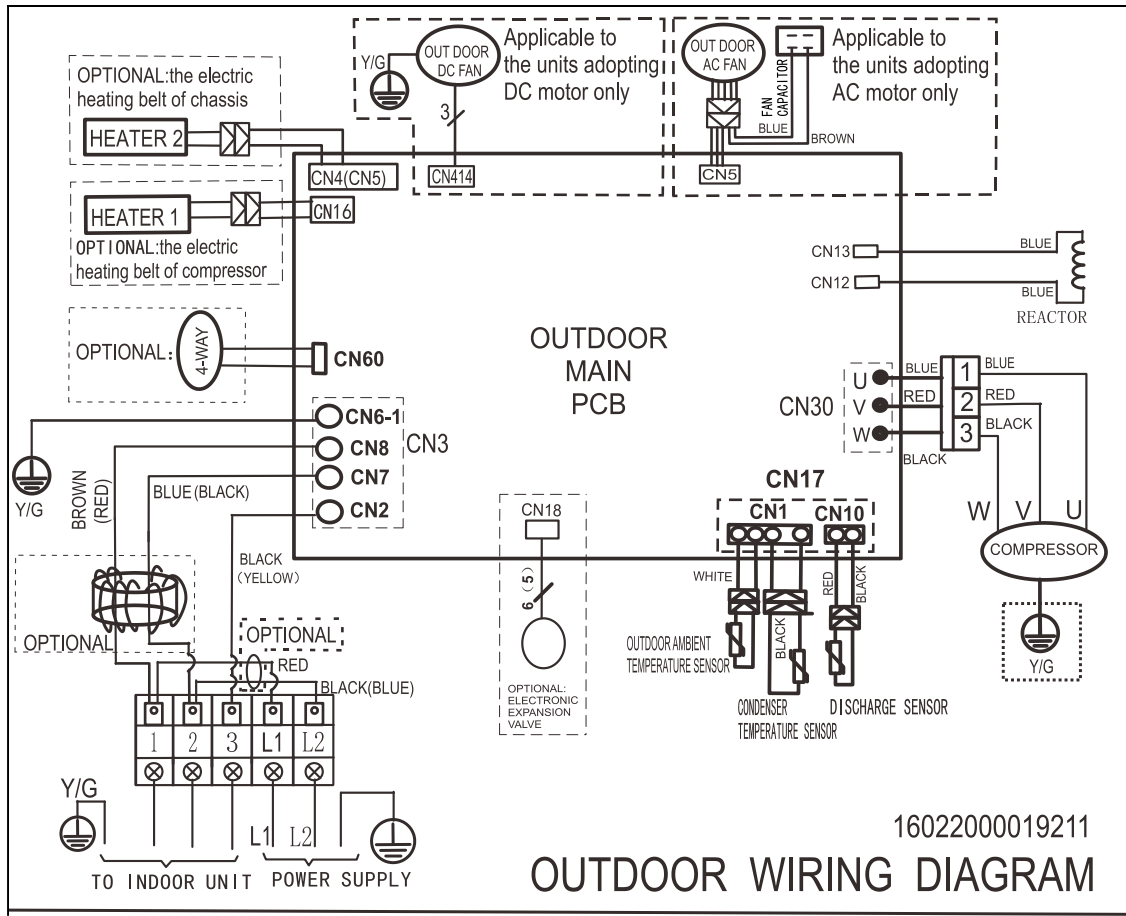
FOR SETTING NETADDRESS				
S1+S2				
CODE	0~F	0~F	0~F	0~F
NETADDRESS	0~15	16~31	32~47	48~63
FACTORY SETTING	<input checked="" type="checkbox"/>			

D. Micro-switch S1 and dial-switch S2 are for address setting when you want to control this unit by a central controller.

Range: 00-63

6.2 Outdoor Unit

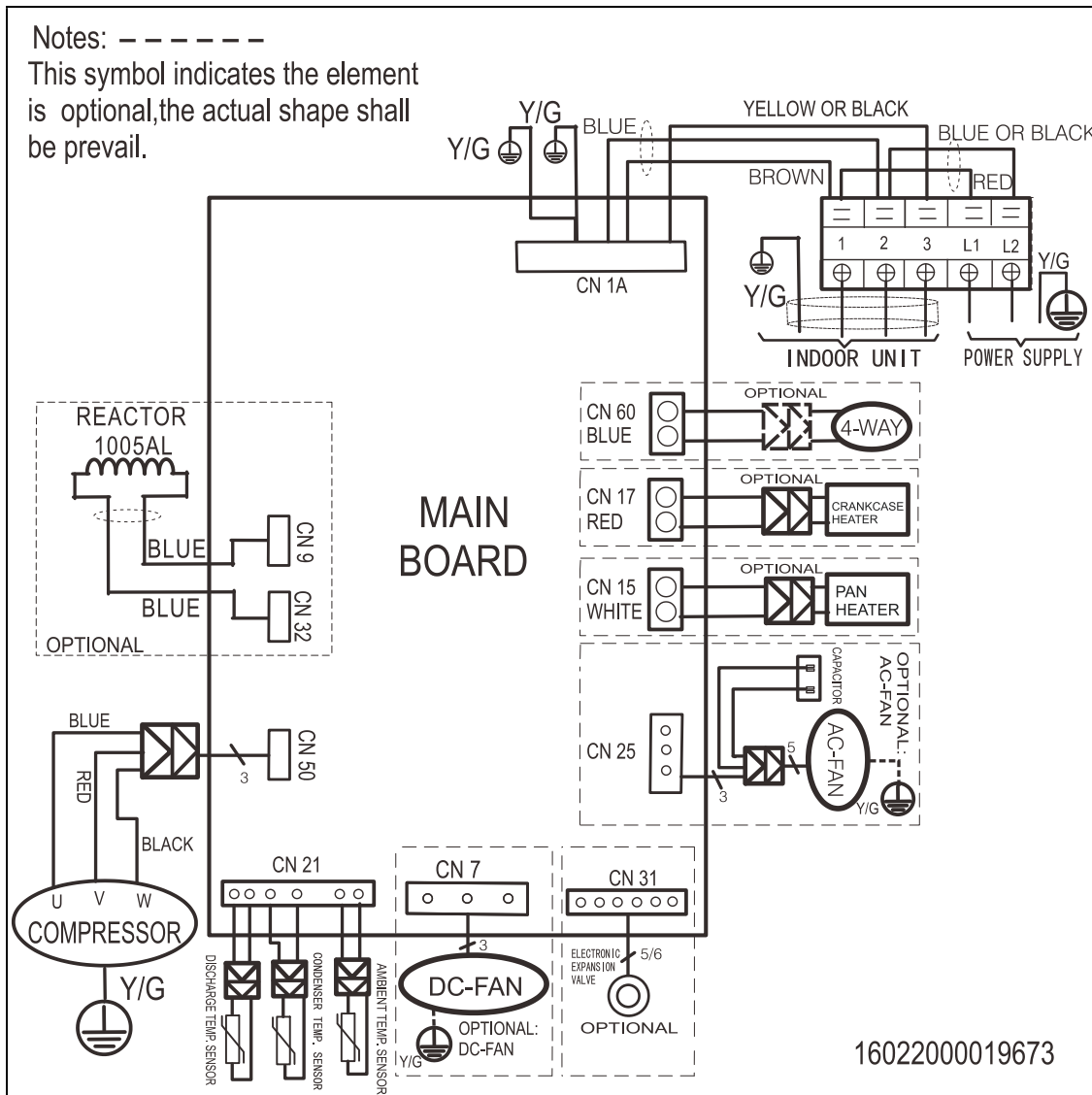
YUKE18BYTMCMO-X, YUJE18BYTMCMO-X, YUKE24BYTMCMO-X, YUJE24BYTMCMO-X



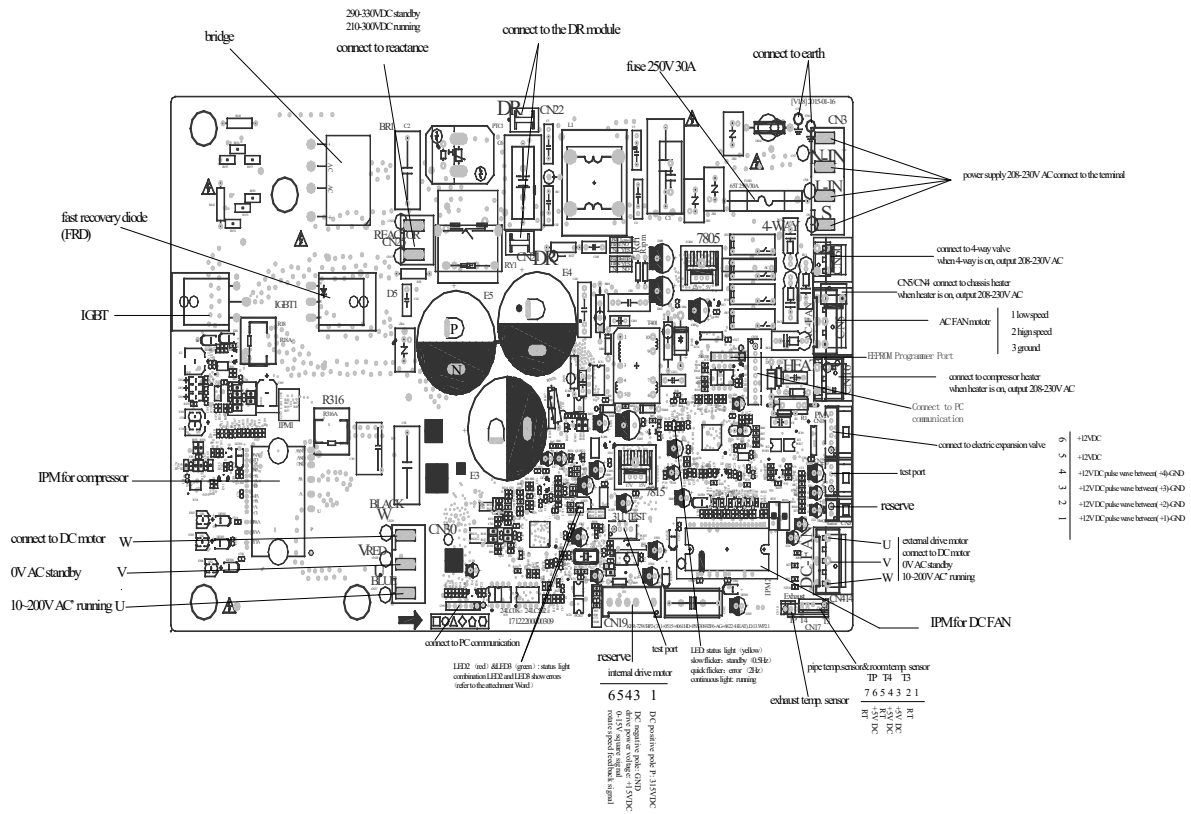
YUKE12BYTMCMO-X, YUJE12BYTMCMO-X

Notes: - - - - -






This symbol indicates the element is optional, the actual shape shall be prevail.



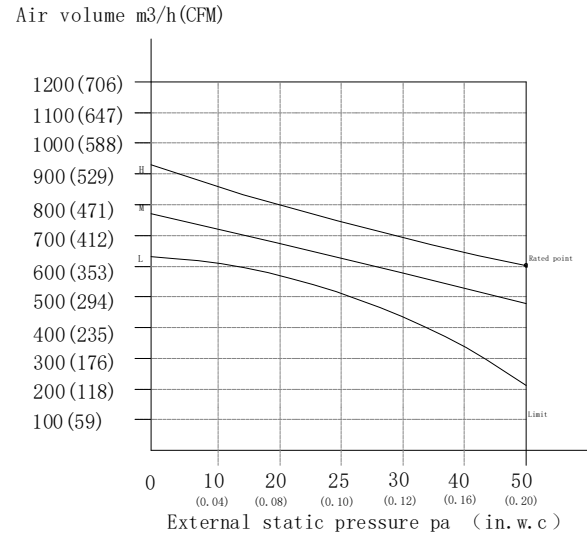
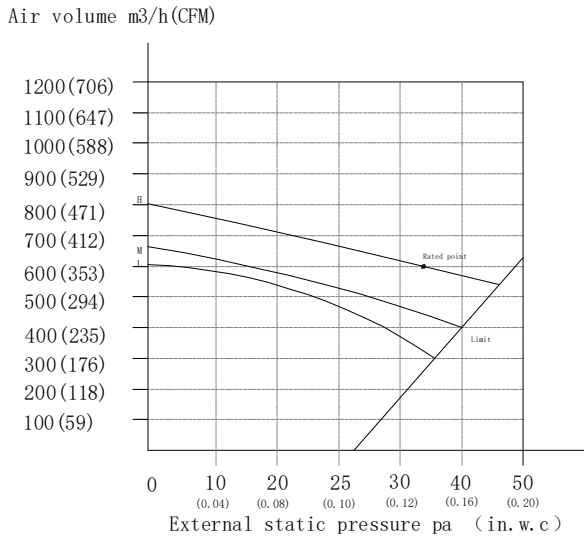
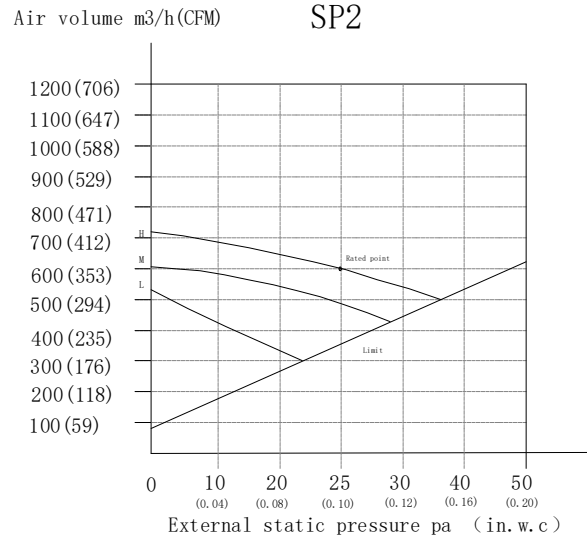
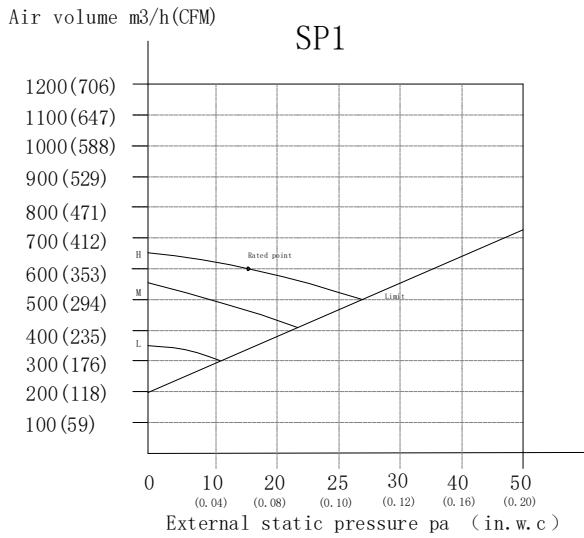
**PCB board of YUKE18BYTMCMO-X, YUJE18BYTMCMO-X
YUKE24BYTMCMO-X, YUJE24BYTMCMO-X**



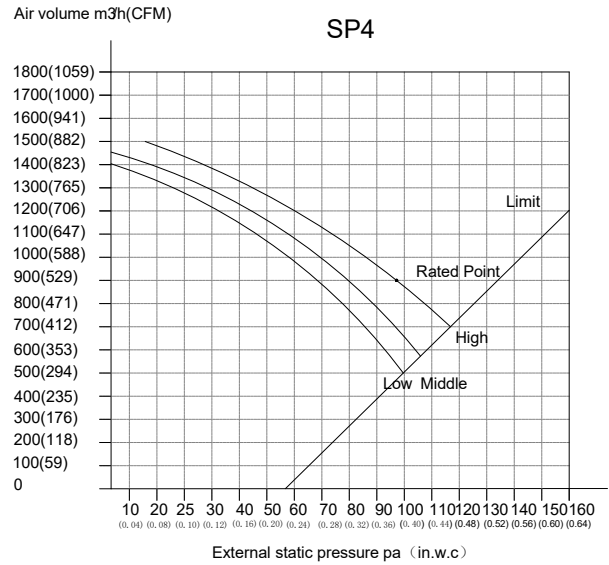
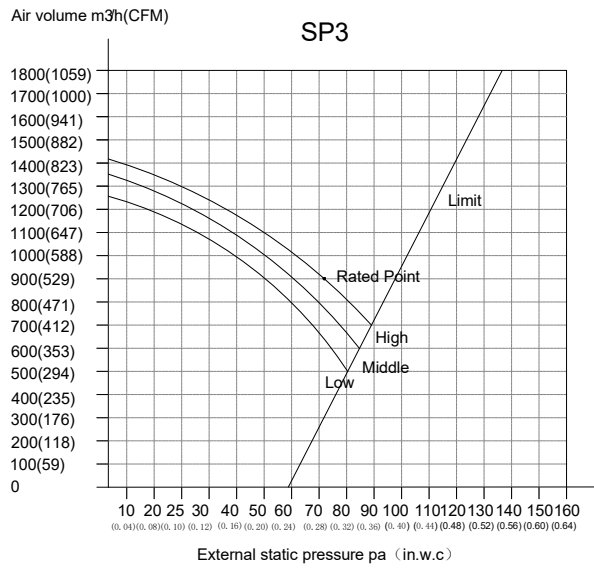
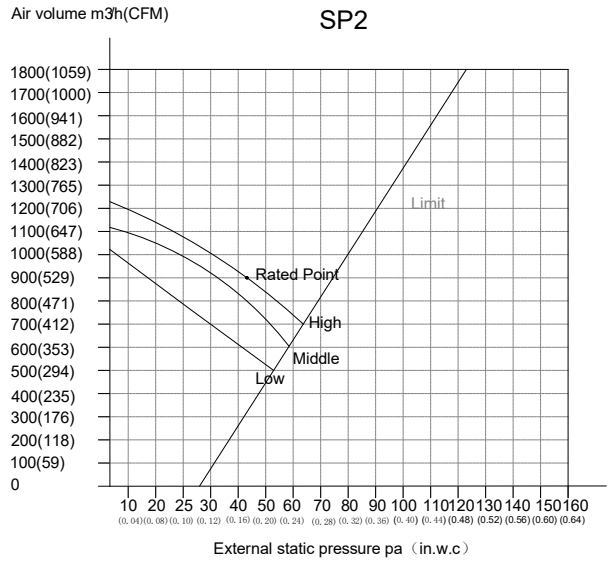
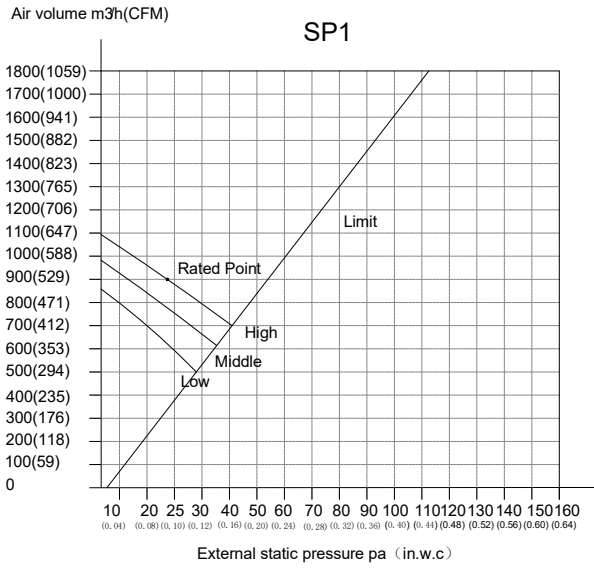
7. Fan Curves

ENC2							Static Pressure Range In. WG (Pa)
Model (K Btu/h)	Model	0	1	2	3	4	
	Model ≤ 12	0.02 (5)	0.04 (10)	0.08 (20)	0.12 (30)	0.16 (40)	0-0.18 (0-45)
	Model = 18	0.04 (10)	0.10 (25)	0.14 (35)	0.18 (45)	0.22 (55)	0-0.28 (0-70)
	18 < Model ≤ 24	0.04 (10)	0.10 (25)	0.16 (40)	0.22 (55)	0.28 (70)	0-0.40 (0-100)
	24 < Model ≤ 60	0.08 (20)	0.14 (35)	0.20 (50)	0.26 (65)	0.32 (80)	0-0.40 (0-100)
Factory Setting		√					

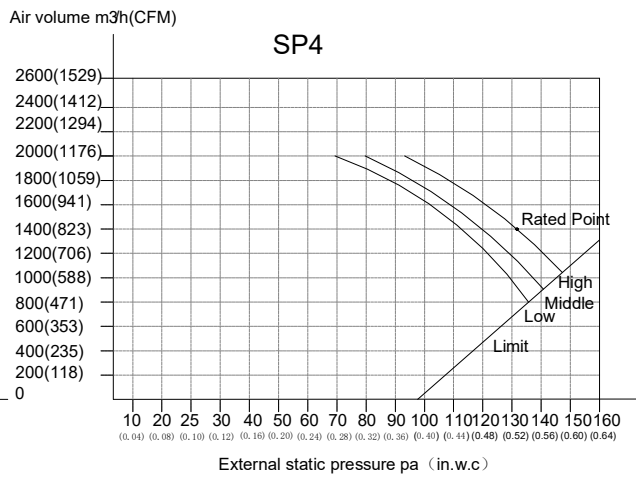
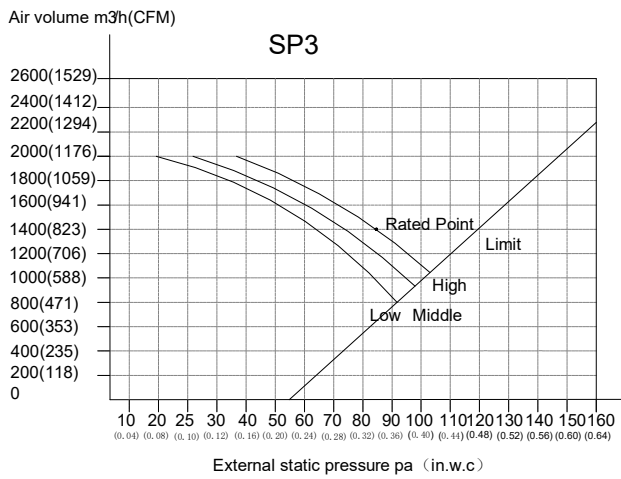
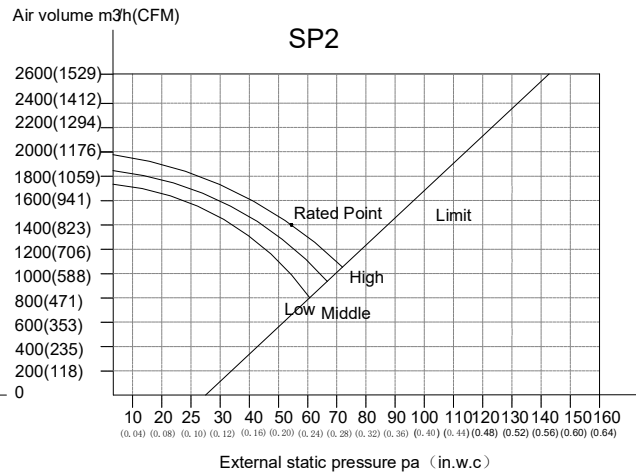
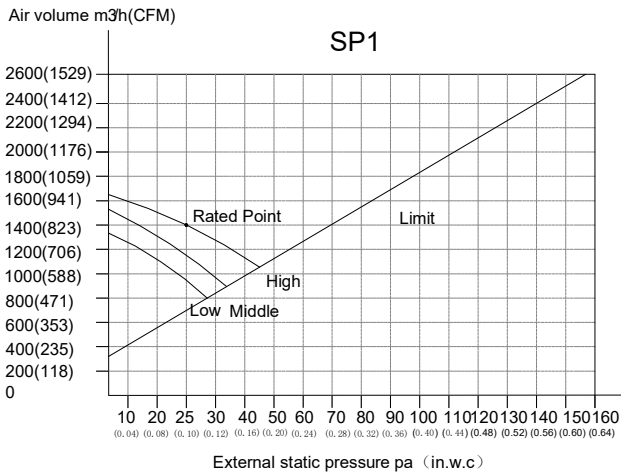
YEKE12BXTMCM-WX, YEJE12BXTMCM-WX



YEKE18BXTMCM-WX, YEJE18BXTMCM-WX



YEKE24BXTMCM-WX, YEJE24BXTMCM-WX

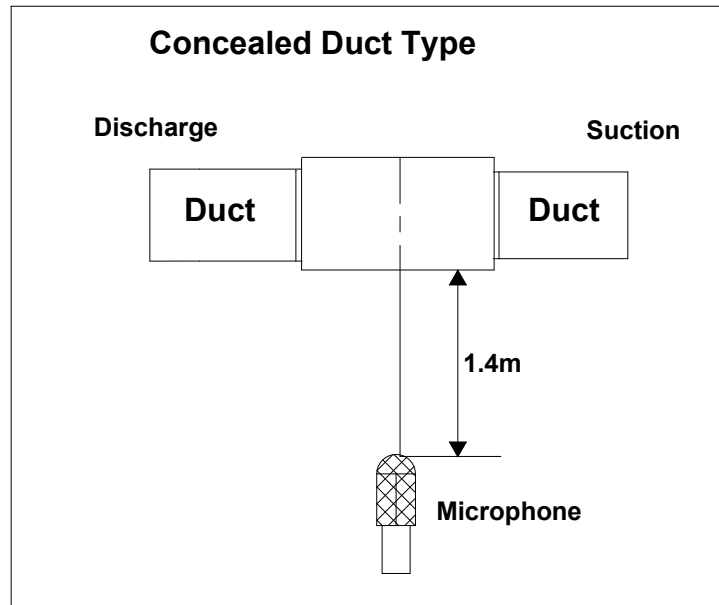


8 Electric Characteristics

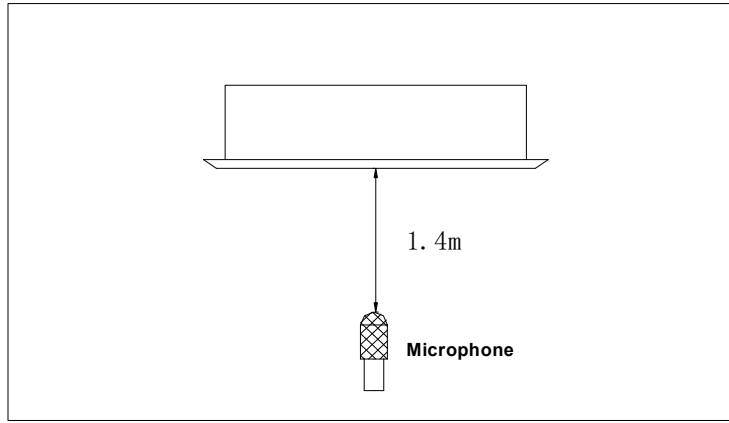
Model	Indoor Unit			
	Hz	Voltage	Min.	Max.
YKKE12BXTMCM-RX, YKJE12BXTMCM-RX	60	208-230V	187V	253V
YEKE12BXTMCM-WX, YEJE12BXTMCM-WX	60	208-230V	187V	253V
YKKE18BXTMCM-RX, YKJE18BXTMCM-RX	60	208-230V	187V	253V
YFKE18BXTMCM-RX, YFJE18BXTMCM-RX	60	208-230V	187V	253V
YEKE18BXTMCM-WX, YEJE18BXTMCM-WX	60	208-230V	187V	253V
YFKE24BXTMCM-RX, YFJE24BXTMCM-RX	60	208-230V	187V	253V
YEKE24BXTMCM-WX, YEJE24BXTMCM-WX	60	208-230V	187V	253V

9 Sound Level

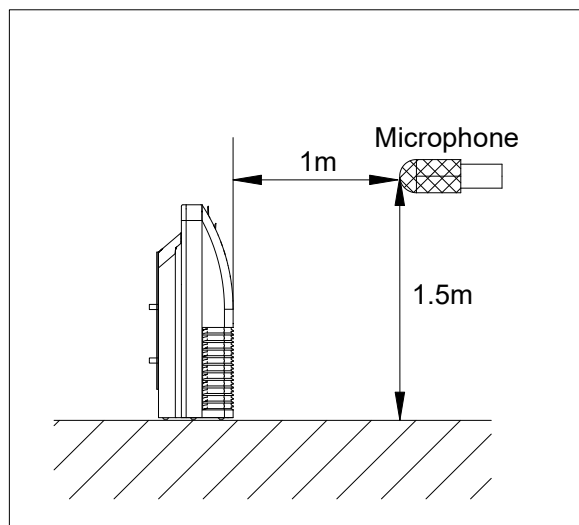
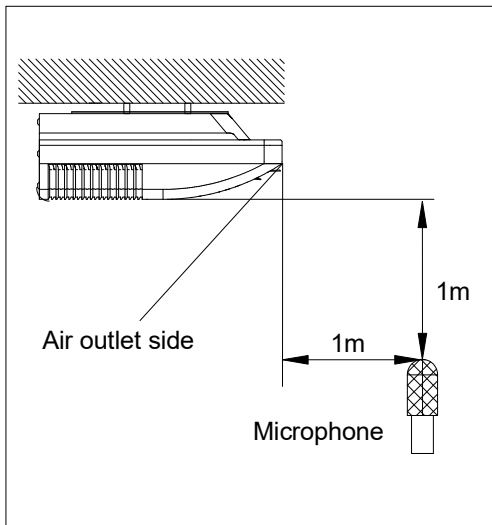
9.1 Indoor unit



Model	Noise level dB(A)		
	H	M	L
YEKE12BXTMCM-WX, YEJE12BXTMCM-WX	37.5	33	27.5
YEKE18BXTMCM-WX, YEJE18BXTMCM-WX	41.5	38.5	36
YEKE24BXTMCM-WX, YEJE24BXTMCM-WX	44	41	34

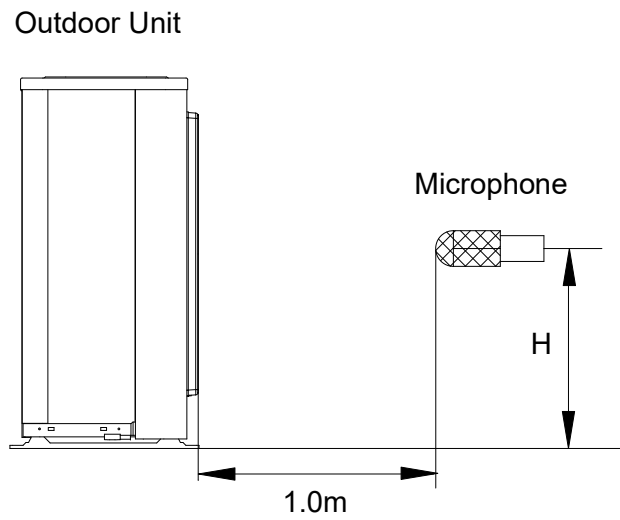


Model	Noise level dB(A)		
	H	M	L
YKKE12BXTMCM-RX, YKJE12BXTMCM-RX	41	38.5	33.5
YKKE18BXTMCM-RX, YKJE18BXTMCM-RX	41	38.5	33.5



Model	Noise level dB(A)		
	H	M	L
YFKE18BXTMCM-RX, YFJE18BXTMCM-RX	44.5	41.5	36.5
YFKE24BXTMCM-RX, YFJE24BXTMCM-RX	50	47	39.5

9.2 Outdoor unit









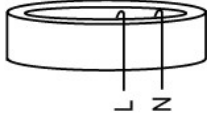


Note: $H = 0.5 \times$ height of outdoor unit



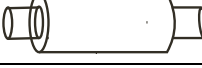





Model	Noise Level dB(A)
YUKE12BYTMCMO-X, YUJE12BYTMCMO-X	55
YUKE18BYTMCMO-X, YUJE18BYTMCMO-X	57.5
YUKE24BYTMCMO-X, YUJE24BYTMCMO-X	58.5



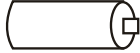


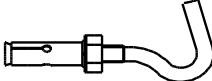
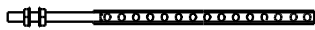
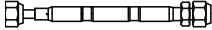
10 Accessories

Duct Units








	Name	Shape	Quantity
Tubing & Fittings	Soundproof / insulation sheath		2
	Binding tape		1
	Seal sponge		1
Drainpipe Fittings (for cooling & heating)	Drain joint		1
	Seal ring		1
Wired controller & Its Frame	Wired controller		1
Others	Owner's manual		1
	Installation manual		1
EMS & It's fitting	Magnetic ring (twist the electric wires L and N around it to five circles)		1

Cassette Units

	Name	Shape	Quantity
Installation Fittings	Installation paper board		1
Tubing & Fittings	Soundproof / insulation sheath		1
Drainpipe Fittings	Out-let pipe sheath		1
	Out-let pipe clasp		1
	Drain joint		1
	Seal ring		1
Remote controller & Its Frame (The product you have might not be provided the following accessories)	Remote controller & Its Frame		1
	Remote controller holder		1

	Mounting screw(ST2.9×10-C-H)		2
	Remote controller manual		1
	Alkaline dry batteries (AM4)		2
Others	Owner's manual		1
	Installation manual		1
Installation accessory (The product you have might not be provided the following accessories	Expansile hook		4
	Installation hook		4
	Orifice		1

Ceiling-floor Units

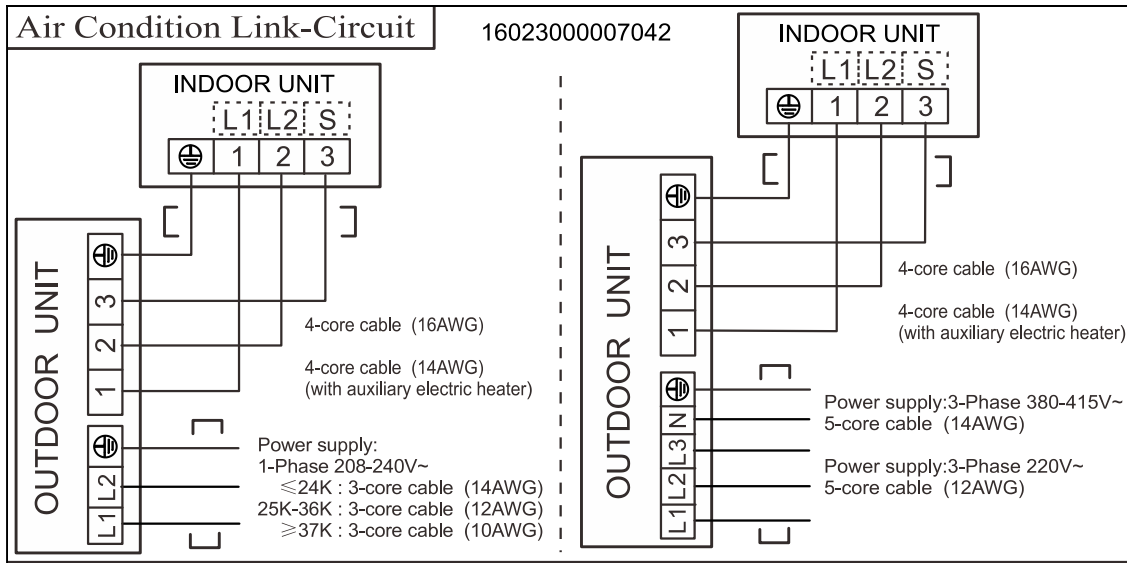
	Name	Shape	Quantity
Remote controller & Its holder	1. Remote controller		1
	2. Remote controller holder		1
	3. Mounting screw (ST2.9×10-C-H)		2
	4. Alkaline dry batteries (AM4)		2
Others	5. Owner's manual		1
	6. Installation manual		1
	7. Remote controller manual		1

11. The Specification of Power

Type		9K-18K	24K
Power	Phase	1-phase	1-phase
	Frequency and Voltage	208-230V, 60Hz	208-230V, 60Hz
Circuit Breaker/ Fuse (A)		25/20	25/20
Indoor Unit Power Wiring		—————	—————
Indoor/Outdoor Connecting Wiring	Outdoor Unit Power Wiring	3-core cable (14AWG)	3-core cable (14AWG)
	Strong Electric Signal	4-core cable (16AWG)	4-core cable (16AWG)
		4-core cable (14AWG)(with auxiliary electric heater)	4-core cable (14AWG)(with auxiliary electric heater)
	Weak Electric Signal	—————	—————

12 Field Wiring

9K~24K



13 Installation Details

13.1 Location selection

13.1.1 Indoor unit location selection

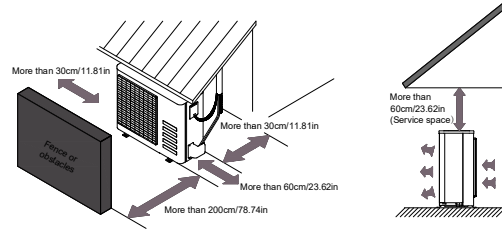
- The place shall easily support the indoor unit's weight.
- The place can ensure the indoor unit installation and inspection.
- The place can ensure the indoor unit horizontally installed.
- The place shall allow easy water drainage.
- The place shall easily connect with the outdoor unit.
- The place where air circulation in the room should be good.
- There should not be any heat source or steam near the unit.
- There should not be any oil gas near the unit
- There should not be any corrosive gas near the unit
- There should not be any salty air neat the unit
- There should not be strong electromagnetic wave near the unit
- There should not be inflammable materials or gas near the unit
- There should not be strong voltage vibration.

13.1.2 Outdoor unit location selection

- The place shall easily support the outdoor unit's weight.
- Locate the outdoor unit as close to indoor unit as possible
- The piping length and height drop cannot exceed the allowable value.
- The place where the noise, vibration and outlet air do not disturb the neighbors.
- There is enough room for installation and maintenance.
- The air outlet and the air inlet are not impeded, and not face the strong wind.
- It is easy to install the connecting pipes and cables.
- There is no danger of fire due to leakage of inflammable gas.
- It should be a dry and well ventilation place
- The support should be flat and horizontal
- Do not install the outdoor unit in a dirty or severely polluted place, so as to avoid

blockage of the heat exchanger in the outdoor unit.

- If is built over the unit to prevent direct sunlight, rain exposure, direct strong wend, snow and other scraps accumulation, make sure that heat radiation from the condenser is not restricted.

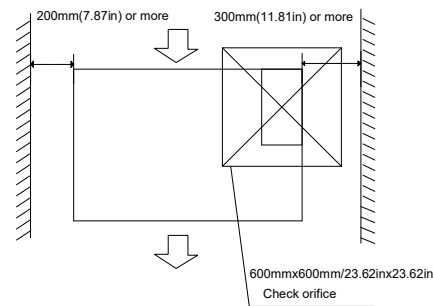


13.2 Indoor unit installation

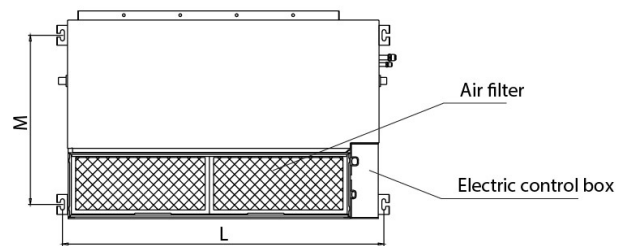
13.2.1 A6 Duct indoor unit installation

13.2.1.1 Service space for indoor unit

A5/A6 Duct



13.2.1.2 Bolt pitch



Model	Size of outline dimension mounted plug	
	L	M
YEKE12BXTMCM-WX, YEJE12BXTMCM-WX	48.82	19.69
	741	360
YEKE18BXTMCM-WX, YEJE18BXTMCM-WX	29.2	14.2
	920	508
YEKE24BXTMCM-WX, YEJE24BXTMCM-WX	36.22	20
	1140	598
	44.88	23.54

13.2.1.3 Hang indoor unit

1. Please refer to the upper data to locate the four positioning screw bolt hole on the ceiling. Be sure to mark the areas where ceiling hook holes will be drilled.

2. Install and fit pipes and wires after you have finished installing the main body. When choosing where to start, determine the direction of the pipes to be drawn out.

Especially in cases where there is a ceiling involved, align the refrigerant pipes, drain pipes, and indoor and outdoor lines with their connection points before mounting the unit.

3. Install hanging screw bolts.

- Cut off the roof beam.
- Strengthen the place that has been cut off, and consolidate the roof beam.

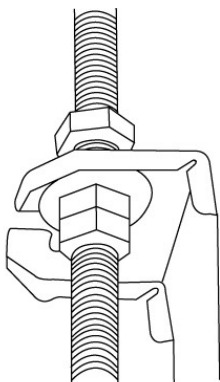
4. After you select an installation location, align the refrigerant pipes, drain pipes, as well as indoor and outdoor wires with their connection points before mounting the unit.

5. Drill 4 holes 10cm (4") deep at the ceiling hook positions in the internal ceiling. Be sure to hold the drill at a 90° angle to the ceiling.

6. Secure the bolt using the washers and nuts provided.

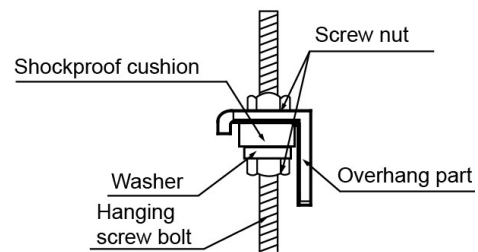
7. Install the four suspension bolts.

8. Mount the indoor unit with at least two people to lift and secure it. Insert suspension bolts into the unit's hanging holes. Fasten them using the washers and nuts provided.



9. Mount the indoor unit onto the hanging

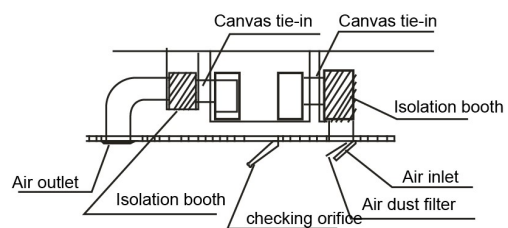
screw bolts with a block. Position the indoor unit flat using a level indicator to prevent leaks.



Note: Confirm the minimum drain tilt is 1/100 or more.

13.2.1.4 Duct and accessories installation

1. Install the filter (optional) according to the size of the air inlet.
2. Install the canvas tie-in between the body and the duct.
3. Air inlet and air outlet duct should be apart far enough to avoid air passage short-circuit.
4. Connect the duct according to the following diagram.



5. Please refer to the following static pressure to install.

Model	Static Pressure(Pa)
YEKE18BXTMCM-WX, YEJE18BXTMCM-WX	0-100
YEKE24BXTMCM-WX, YEJE24BXTMCM-WX	0-160

Change the fan motor static pressure corresponding to external duct static pressure.

NOTE: 1. Do not put the connecting duct weight on the indoor unit.

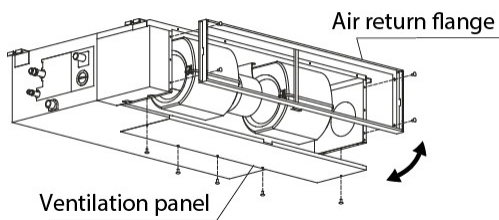
2. When connecting duct, use inflammable canvas tie-in to prevent vibrating.

3. Insulation foam must be wrapped outside the duct to avoid condensate. An internal duct underlayer can be added to reduce noise, if the end-user requires.

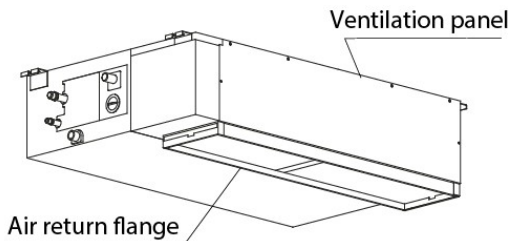
13.2.1.5 Adjust the air inlet direction (From rear side to under-side)

For A6 Duct units

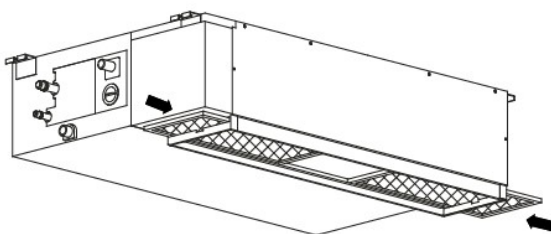
1. Take off ventilation panel and flange, cut off the staples at side rail



2. Change the mounting positions of ventilation panel and air return flange .



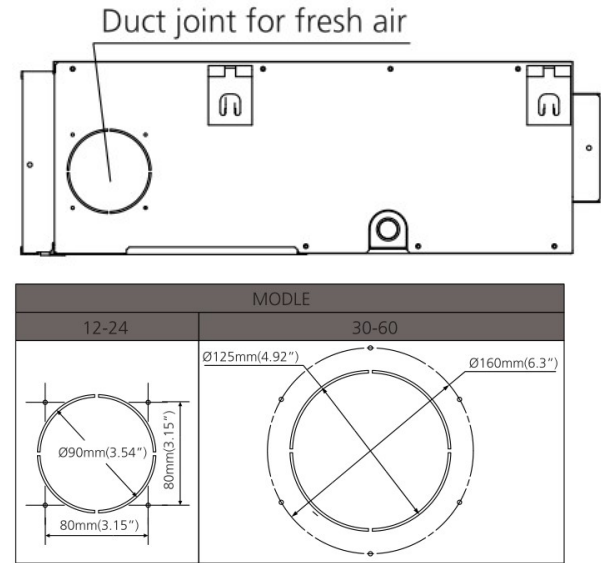
3. When installing the filter mesh, fit it into the flange as illustrated in the following figure.



NOTE: All the figures in this manual are for demonstration purposes only. The air conditioner you have purchased may be slightly different in design, though similar in shape.

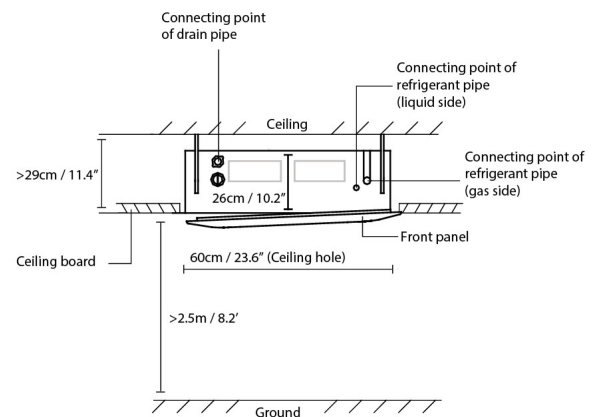
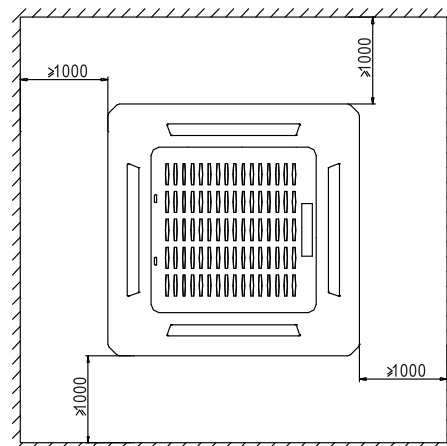
13.2.1.6 Fresh air duct installation

Dimension :

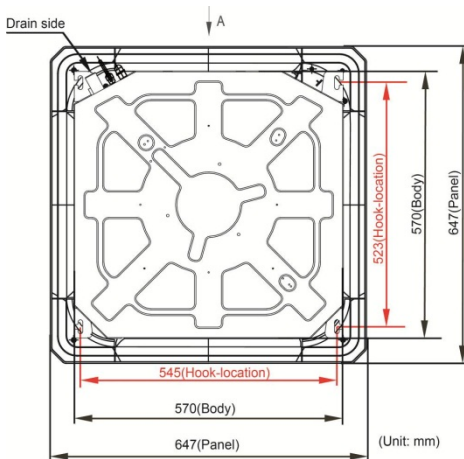


13.2.2 Compact cassette indoor unit installation

13.2.2.1 Service space for indoor unit



13.2.2.2 Bolt pitch



13.2.2.3 Install the pendant bolt

Select the position of installation hooks according to the hook holes positions showed in upper picture.

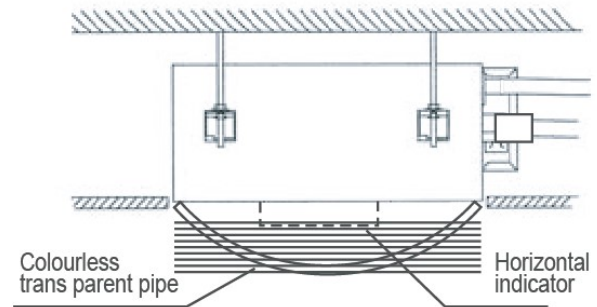
Drill four holes of Ø12mm, 45~50mm deep at the selected positions on the ceiling. Then embed the expansible hooks (fittings).



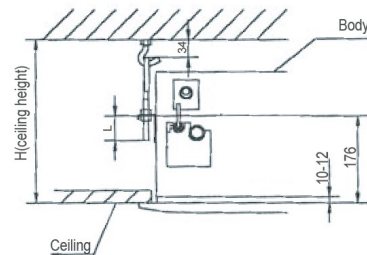
Face the concave side of the installation hooks toward the expansible hooks. Determine the length of the installation hooks from the height of ceiling, then cut off the unnecessary part. If the ceiling is extremely high, please determine the length of the installation hook depending on the real situation.

13.2.2.4 Install the main body

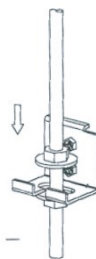
Make the 4 suspender through the 4 hanger of the main body to suspend it. Adjust the hexangular nuts on the four installation hooks evenly, to ensure the balance of the body. Use a leveling instrument to make sure the levelness of the main body is within $\pm 1^\circ$.



Adjust the position to ensure the gaps between the body and the four sides of ceiling are even. The body's lower part should sink into the ceiling for 10~12 mm. In general, L is half of the screw length of the installation hook.

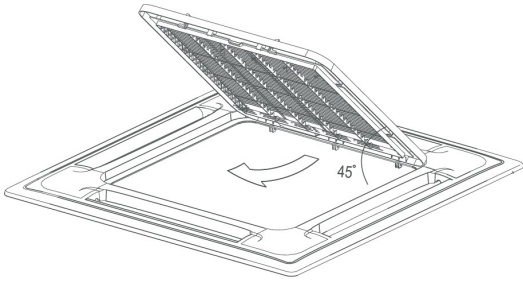
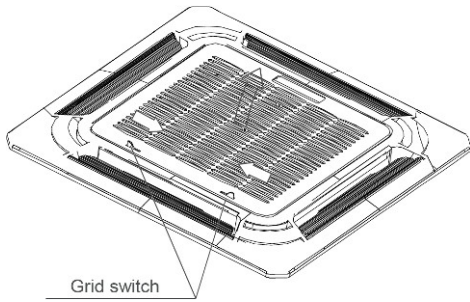


Locate the air conditioner firmly by wrenching the nuts after having adjusted the body's position well.

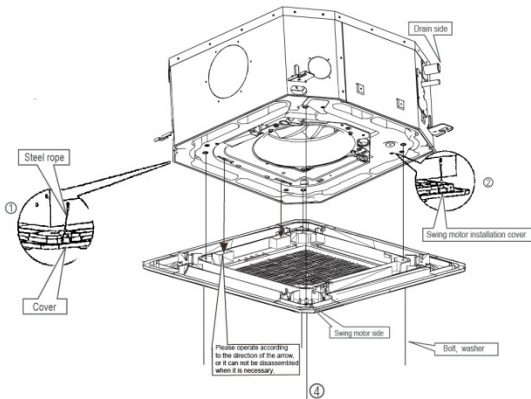


13.2.2.5 Install the panel

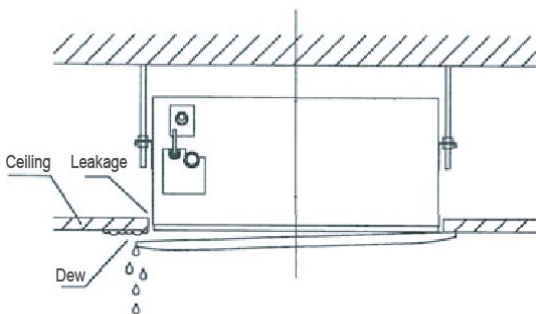
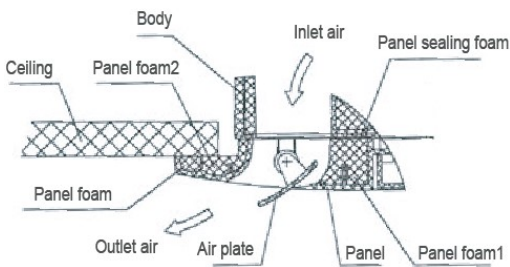
Remove the grille



Hang the panel to the hooks on the mainbody.



Tighten the screws under the panel hooks till the panel closely stick on the ceiling to avoid condensate water.

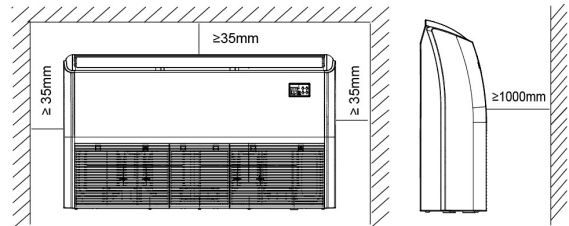


Hang the air-in grill to the panel, then connect the lead terminator of the swing motor and that of the control box with corresponding terminators on the body respectively.

Note: The panel shall be installed after the wiring connected.

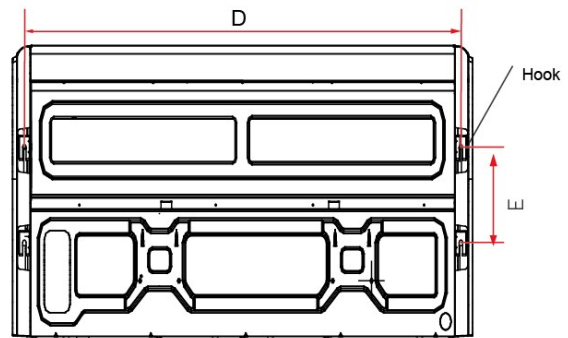
13.2.3 Ceiling-floor unit installation

13.2.3.1 Service space for indoor unit



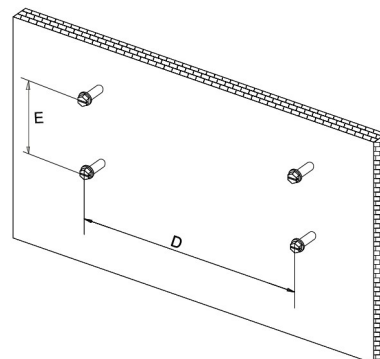
13.2.3.2 Bolt pitch

① Ceiling installation



Capacity (Btu/h)		D	E
18K / 24K	mm	983	220
	inch	38.70	8.66

② Wall-mounted installation

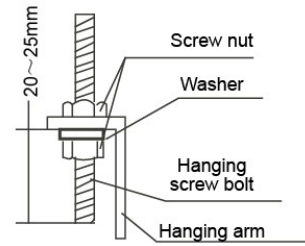


13.2.3.3 Install the pendant bolt

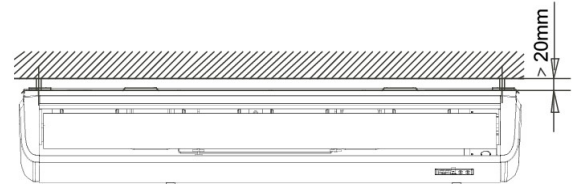
① Ceiling installation

Select the position of installation hooks according to the hook holes positions showed in upper picture.

Drill four holes of $\varnothing 12\text{mm}$, 45~50mm deep at the selected positions on the ceiling. Then embed the expansible hooks (fittings).

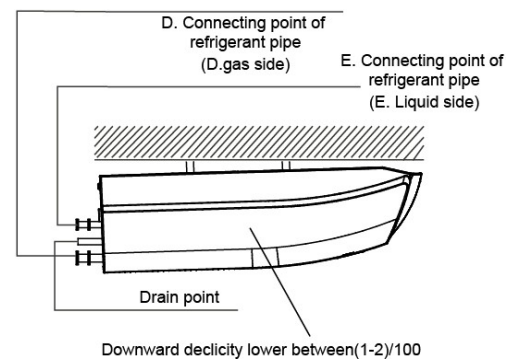
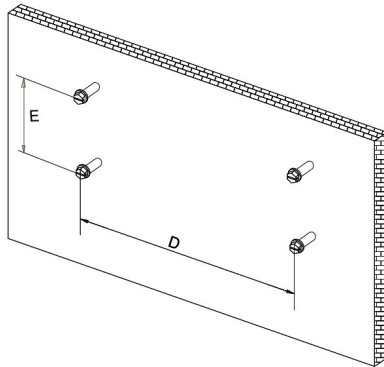


Put the side panels and grilles back.



② Wall-mounted installation

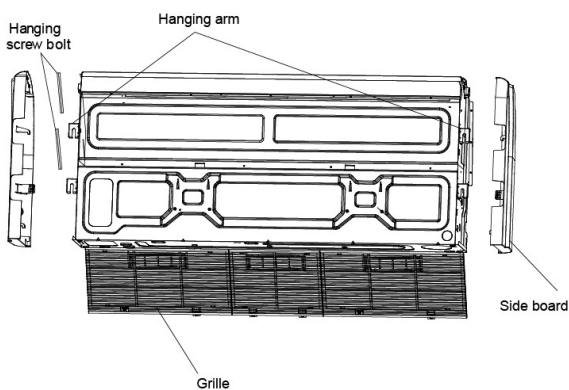
Install the tapping screws onto the wall. (Refer to picture below)



13.2.3.4 Install the main body

① Ceiling installation (The only installation method for the unit with drain pump)

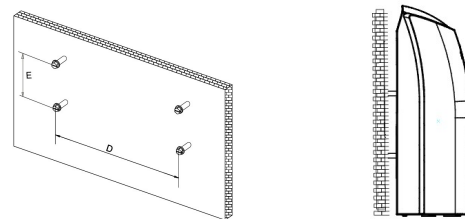
Remove the side board and the grille.



Locate the hanging arm on the hanging screw bolt. Prepare the mounting bolts on the unit.

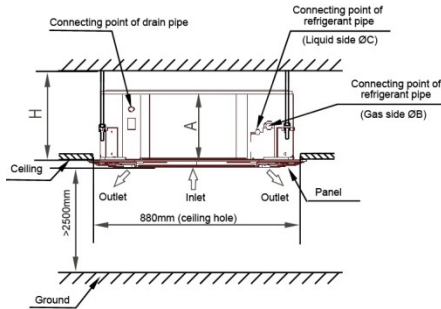
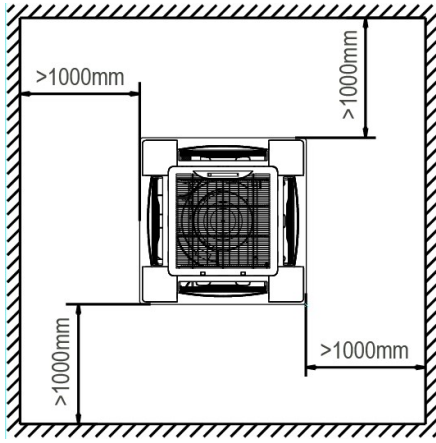
② Wall-mounted installation

Hang the indoor unit by insert the tapping screws into the hanging arms on the main unit. (The bottom of body can touch with floor or suspended, but the body must install vertically.)



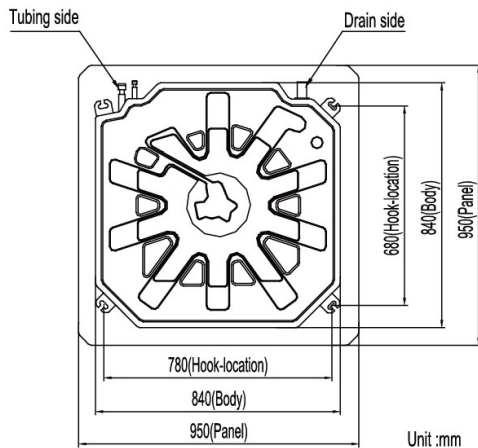
13.2.5 Slim cassette indoor unit installation

13.2.5.1 Service space for indoor unit



Capacity (Btu/h)		A	H
24K	mm	205	>235
	inch	8.07	>9.25

13.2.5.2 Bolt pitch



13.2.5.3 Install the pendant bolt

Select the position of installation hooks according to the hook holes positions showed in upper picture.

Drill four holes of $\varnothing 12\text{mm}$, 45~50mm deep at the selected positions on the ceiling. Then embed the expansible hooks (fittings).

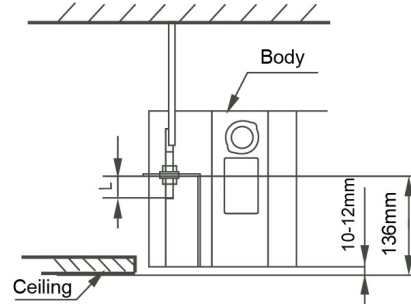


13.2.5.4 Install the main body

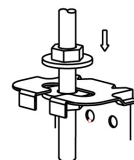
Make the 4 suspender through the 4 hanger of the main body to suspend it. Adjust the hexangular nuts on the four installation hooks evenly, to ensure the balance of the body. Use a leveling instrument to make sure the levelness of the main body is within $\pm 1^\circ$.



Adjust the position to ensure the gaps between the body and the four sides of ceiling are even. The body's lower part should sink into the ceiling for 10~12 mm. In general, L is half of the screw length of the installation hook.

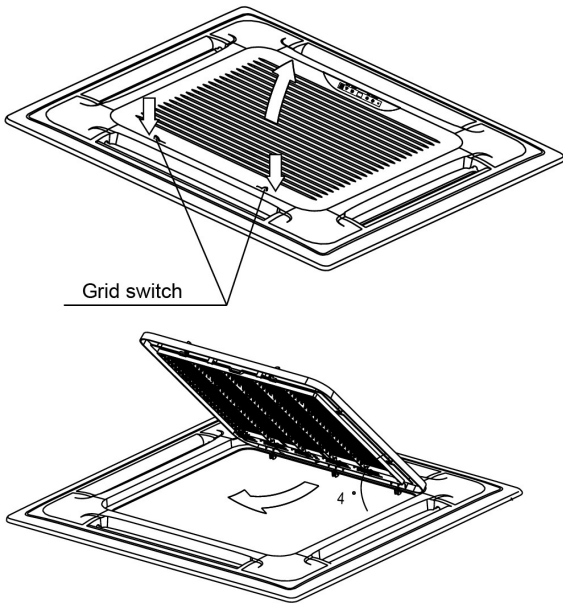


Locate the air conditioner firmly by wrenching the nuts after having adjusted the body's position well.

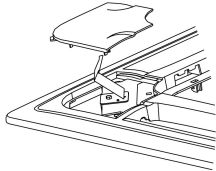


13.2.5.5 Install the panel

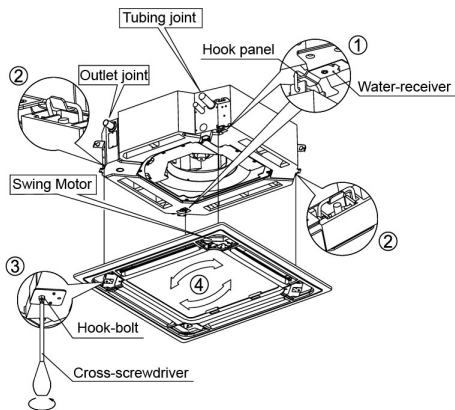
Remove the grille



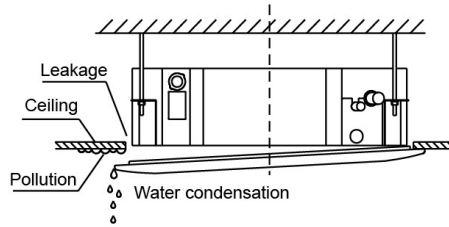
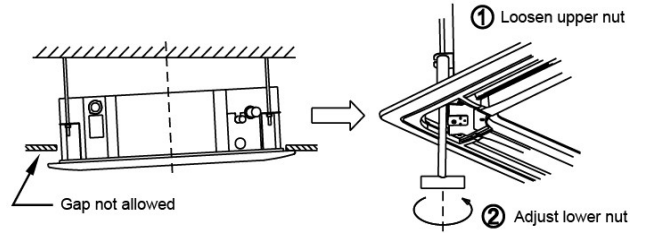
Remove the 4 corner covers.



Hang the panel to the hooks on the mainbody. If the panel is with auto-lift grille, please watch the ropes lifting the grille, DO NOT make the ropes entwined or blocked.

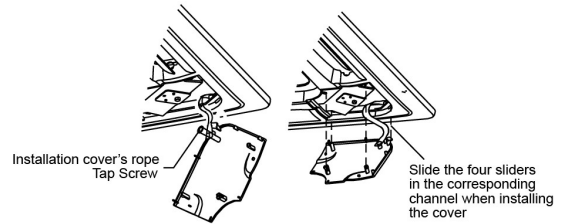


Tighten the screws under the panel hooks till the panel closely stick on the ceiling to avoid condensate water.



Hang the air-in grill to the panel, then connect the lead terminator of the swing motor and that of the control box with corresponding terminators on the body respectively.

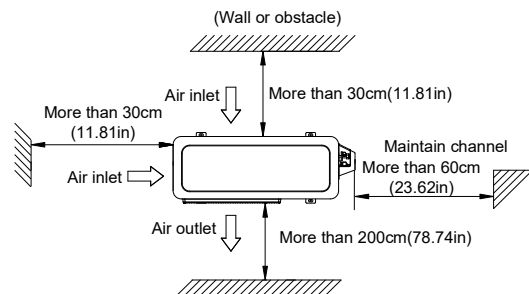
Install the 4 corner covers back.

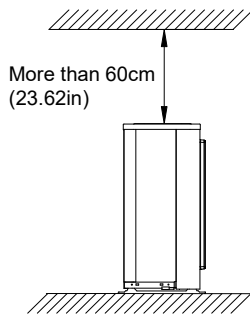


Note: The panel shall be installed after the wiring connected.

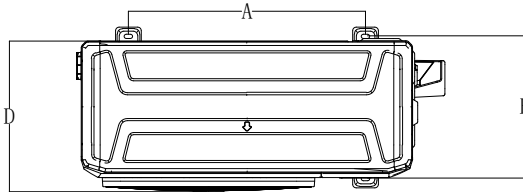
13.3 Outdoor unit installation

13.3.1 Service space for outdoor unit





13.3.2 Bolt pitch



For the value of A,B and D, please refer to the dimension part.

13.3.3 Install the Unit

Since the gravity center of the unit is not at its physical center, so please be careful when lifting it with a sling.

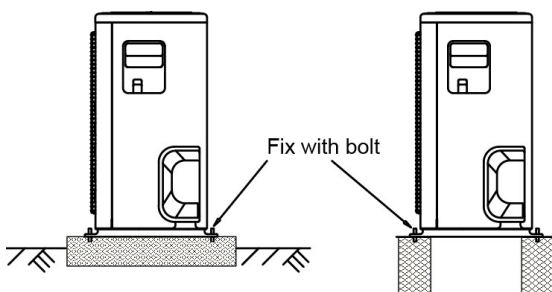
Never hold the inlet of the outdoor unit to prevent it from deforming.

Do not touch the fan with hands or other objects.

Do not lean it more than 45°, and do not lay it sidelong.

Make concrete foundation according to the specifications of the outdoor units.

Fasten the feet of this unit with bolts firmly to prevent it from collapsing in case of earthquake or strong wind.



13.4 Refrigerant pipe installation

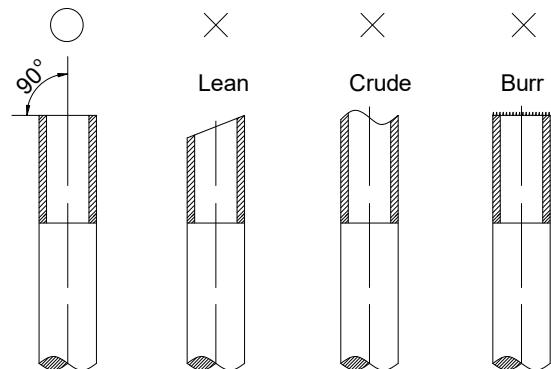
13.4.1 Maximum pipe length and height drop

Considering the allowable pipe length and height drop to decide the installation position. Make sure the distance and height drop between indoor and outdoor unit not exceeded the data in the following table.

Model	Max. Length		Max. Elevation	
	m	Ft.	m	Ft.
9,000Btu/h	25	82.2	10	32.9
12,000Btu/h	25	82.2	10	32.9
18,000Btu/h	30	98.7	20	65.8
24,000Btu/h	50	164.5	25	82.2

13.4.2 The procedure of connecting pipes

1. Choose the pipe size according to the specification table.
2. Confirm the cross way of the pipes.
3. Measure the necessary pipe length.
4. Cut the selected pipe with pipe cutter
 - Make the section flat and smooth.

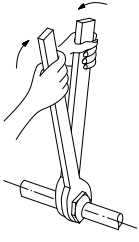


5. Insulate the copper pipe
 - Before test operation, the joint parts should not be heat insulated.
6. Flare the pipe
 - Insert a flare nut into the pipe before flaring the pipe
 - According to the following table to flare the pipe

Pipe diameter	Flare dimension A (mm)		Flare shape
	Min	Max	
1/4" (6.35)	8.3	8.7	
3/8" (9.52)	12.0	12.4	

1/2" (12.7)	15.4	15.8	
5/8" (15.9)	18.6	19.1	
3/4" (19)	22.9	23.3	

- After flared the pipe, the opening part must be seal by end cover or adhesive tape to avoid duct or exogenous impurity come into the pipe.
- 7. Drill holes if the pipes need to pass the wall.
- 8. According to the field condition to bend the pipes so that it can pass the wall smoothly.
- 9. Bind and wrap the wire together with the insulated pipe if necessary.
- 10. Set the wall conduit
- 11. Set the supporter for the pipe.
- 12. Locate the pipe and fix it by supporter
- For horizontal refrigerant pipe, the distance between supporters should not be exceed 1m.
- For vertical refrigerant pipe, the distance between supporters should not be exceed 1.5m.
- 13. Connect the pipe to indoor unit and outdoor unit by using two spanners.
- Be sure to use two spanners and proper torque to fasten the nut, too large torque will damage the flare, and too small torque may cause leakage. Refer the following table for different pipe connection.

Pipe Diameter	Torque		Sketch map
	(kgf.cm)	(N.cm)	
1/4" (6.35)	144~176	1420~1720	
3/8" (9.52)	333~407	3270~3990	
1/2" (12.7)	504~616	4950~6030	
5/8" (15.9)	630~770	6180~7540	
3/4" (19)	990~1210	9270~11860	

13.4.3 First-Time Installation

Air and moisture in the refrigerant system cause the following problems:

- Increases in system pressure
- Increases in operating current

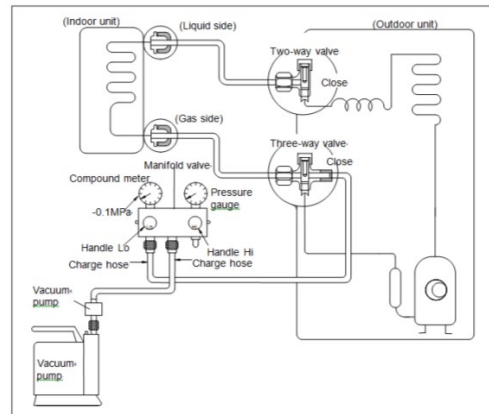
- Decreases in cooling and heating efficiency
- Blocks in capillary tubing caused by moisture in the refrigerant circuit freezing
- Corrosion of parts in the refrigerant system caused by water

The indoor units and the pipes between indoor and outdoor units must be tested for leakages and evacuated to remove gas and moisture from the system.

Gas leak check with soap water:

Apply soap water or a liquid neutral detergent on the connections with a soft brush to check for leakage in the pipe connecting points. If bubbles emerge, the pipes are leaking.

1. Air Purging Using the Vacuum Pump



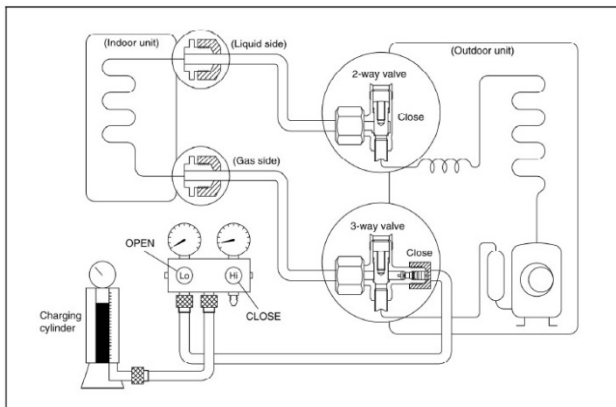
- 1) Completely tighten the flare nuts on the indoor and outdoor units. Confirm that both the 2-way and 3-way valves are set to the closed position.
- 2) Connect the charge hose with the push pin of the Handle Lo to the 3-way valve gas service port.
- 3) Connect the charge hose of the Handle Hi to the vacuum pump.
- 4) Fully open the Handle Lo of the manifold valve.
- 5) Turn on the vacuum pump to begin evacuation.
- 6) Conduct a 30-minute evacuation. Check whether the compound meter indicates -0.1Mpa(14.5Psi). If the meter does not indicate -0.1Mpa(14.5Psi) after 30 minutes has elapsed, continue evacuation for 20

more minutes. If the pressure does not reach $-0.1\text{Mpa}(14.5\text{Psi})$ after 50 minutes has elapsed, check if there are any leaks.

Fully close the Handle Lo valve of the manifold valve and turn off the vacuum pump. After 5 minutes, confirm that the gauge needle is not moving.

- 7) Turn the flare nut on the 3-way valve 45° counterclockwise for 6-7 seconds. Once gas begins to come out, tighten the flare nut. Make sure the pressure display on the pressure indicator is higher than atmospheric pressure. Then remove the charge hose from the 3-way valve.
- 8) Fully open the 2-way and 3-way valves and securely tighten the cap on the 3-way valve.

2. Air Purging Using Refrigerant



Procedure:

- 1). Confirm that both the 2-way and 3-way valves are set to the closed position.
- 2). Connect the charge set and a charging cylinder to the service port on the 3-way valve.
- 3). Air purging:
Open the valves on the charging cylinder and the charge set. Loosen the flare nut on the 2-way valve approximately 45° for 3 seconds then closing it for 1 minute. Repeat 3 times.
After purging the air, use a torque wrench to tighten the flare nut on the 2-way valve.
- 4). Check for gas leaks.
Check the flare connections for gas leaks.
- 5). Discharge the refrigerant.
Close the valve on the charging cylinder and discharge the refrigerant by loosening the flare nut on the 2-way valve approximately 45° until

the gauge displays a value between 0.3 to $0.5\text{Mpa}(43.5\text{ to }72.5\text{Psi})$

- 6). Disconnect the charge set and the charging cylinder. Set the 2-way and 3-way valves to the open position.

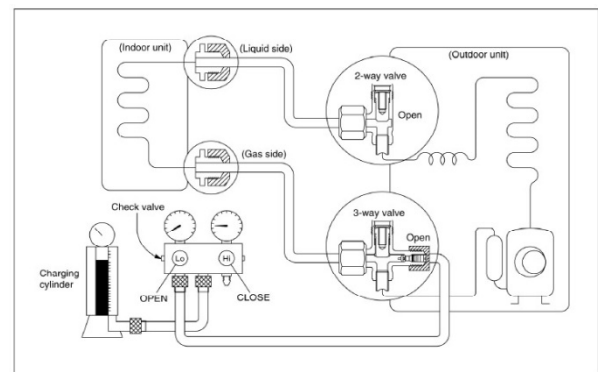
Be sure to use a hexagonal wrench to open and close the valve stems.

- 7). Mount the valve stems nuts and the service port cap.

Be sure to use a torque wrench to tighten the service port cap to a torque of $18\text{N}\cdot\text{m}$.

Be sure to check for gas leaks.

13.4.4 Adding Refrigerant after Long-Term System Operation



Procedure

- 1). Connect the charge hose to the 3-way service port and open the 2-way and 3-way valve.
Connect the charge hose to the valve at the bottom of the cylinder. If the refrigerant is R410A, place the cylinder bottom-up to ensure liquid charge.
- 2). Purge the air from the charge hose.
Open the valve at the bottom of the cylinder and press the check valve on the charge set to purge the air (be careful of the liquid refrigerant).
- 3) Place the charging cylinder onto the electronic scale and record the weight.
- 4) Turn on the air conditioner in cooling mode.
- 5) Open the valves (Low side) on the charge set and charge the system with liquid refrigerant.
- 6).When the electronic scale displays the proper weight (refer to the gauge and the pressure of the low side), disconnect the charge

hose from the 3-way valve's service port immediately and turn off the air conditioner before disconnecting the hose.

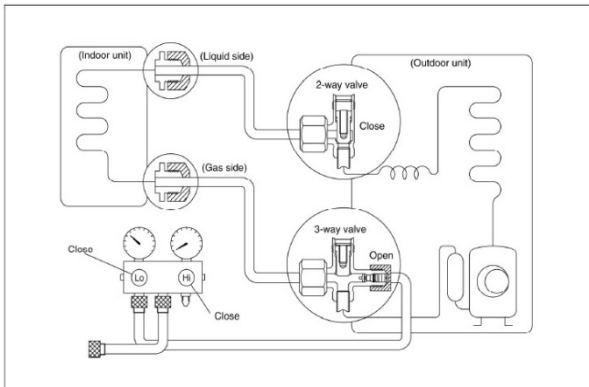
7). Mount the valve stem caps and the service port.

Use torque wrench to tighten the service port cap to a torque of 18N.m.

Be sure to check for gas leaks.

13.4.5 Re-installation When Indoor Unit Requires Repairs

1. Collecting the Refrigerant into the Outdoor Unit



Procedure

1). Confirm that both the 2-way and 3-way valves are open.

Remove the valve stem caps and confirm that the valve stems are open.

Be sure to use a hexagonal wrench to operate the valve stems.

2). Connect the charge hose with the push pin of handle lo to the 3-way valves gas service port.

3). Purge the air from the charge hose.

Open the handle Lo valve of the manifold valve slightly to purge air from the charge hose for 5 seconds and then close it quickly.

4). Close the 2-way valve.

5). Turn on the air conditioner in cooling mode. Turn it off when the gauge indicates -0.1MPa(14.5Psi).

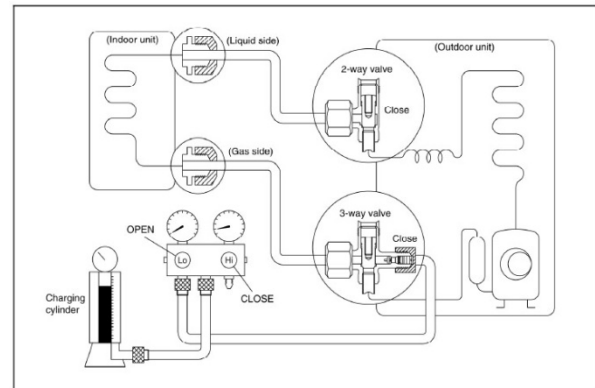
6).Immediately close the 3-way valve

Do this quickly so that the gauge displays a value between 0.3 to 0.5 Mpa(43.5 to 72.5Psi). Disconnect the charge set, and tighten the 2-way and 3-way valves' stem nuts.

Use a torque wrench to tighten the 3-way valves service port cap to a torque of 18N.m.

Be sure to check for gas leaks.

2. Air Purging by the Refrigerant



Procedure:

1). Confirm that both the 2-way and 3-way valves are closed.

2). Connect the charge set and a charging cylinder to the service port of the 3-way valve Leave the valve on the charging cylinder closed.

3). Purge the air from the charge hose.

Open the valves on the charging cylinder and the charge set. Purge the air by loosening the flare nut on the 2-way valve approximately 45' for 3 seconds and then closing it for 1 minute. Repeat 3 times.

After purging the air, use a torque wrench to tighten the flare nut on the 2-way valve.

4). Check for gas leaks

Check the flare connections for gas leakage.

5). Discharge the refrigerant.

Close the valve on the charging cylinder and discharge the refrigerant by loosening the flare nut on the 2-way valve approximately 45' until the gauge indicates 0.3 to 0.5 Mpa(43.5 to 72.5Psi)

6). Disconnect the charge set and the charging cylinder, and open the 2-way and 3-way valves Be sure to use a hexagonal wrench to operate the valve stems.

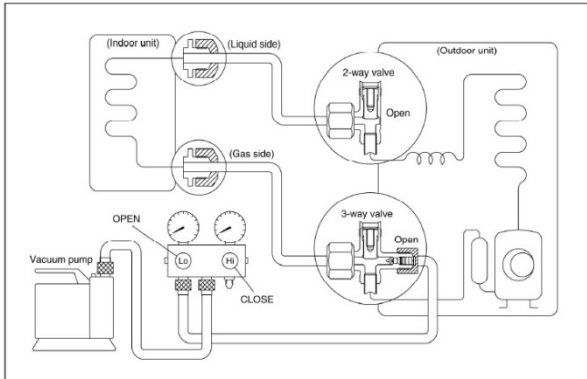
7). Mount the valve stems nuts and the service port cap.

Be sure to use a torque wrench to tighten the service port cap to a torque 18N.m.

Be sure to check for gas leakage.

13.4.6 Re-Installation When the Outdoor Unit Requires Repairs

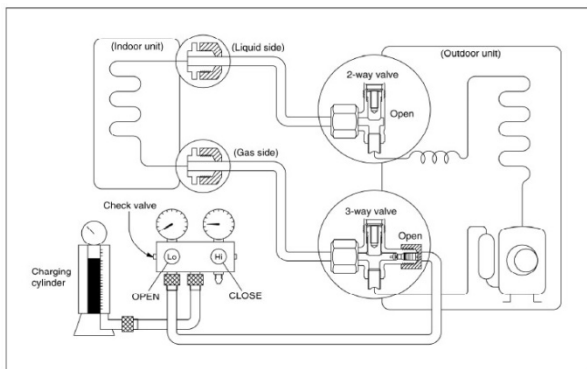
1. Evacuation for the whole system



Procedure:

- 1). Confirm that both the 2-way and 3-way valves are open.
- 2). Connect the vacuum pump to 3-way valve's service port.
- 3). Conduct an evacuation for approximately one hour. Confirm that the compound meter displays a value of -0.1Mpa(14.5Psi).
- 4). Close the valve (Low side) on the charge set, turn off the vacuum pump. After 5 minutes, confirm that the gauge needle is not moving.
- 5). Disconnect the charge hose from the vacuum pump.

2. Refrigerant charging



Procedure:

- 1). Connect the charge hose to the charging cylinder. Open the 2-way 3-way valve.
- With the charge hose you disconnected from the vacuum pump, connect it to the valve at the bottom of the cylinder. If the refrigerant is R410A, place the cylinder bottom-up to ensure liquid charge.

2). To purge the air from the charge hose, open the valve at the bottom of the cylinder and press the check valve on the charge set (be careful of the liquid refrigerant).

3) Place the charging cylinder onto the electronic scale and record the weight.

4). Open the valves (Low side) on the charge set and charge the system with liquid refrigerant. If the system cannot be charged with the specified amount of refrigerant, or can be charged with a only a small amount at a time (approximately 150g each time), turn the unit on in cooling mode; however, one time is not sufficient, wait approximately 1 minute and then repeat the procedure.

5). If the electronic scale displays the proper weight, disconnect the charge hose from the 3-way valve's service port immediately.

If the system has been charged with liquid refrigerant while the air conditioner is on, turn off the air conditioner before disconnecting the hose.

6). Mount the valve stem caps and the service port.

Use a torque wrench to tighten the service port cap to a torque of 18N.m.

Be sure to check for gas leakage.

13.5 Drainage pipe installation

Install the drainage pipe as shown below and take measures against condensation. Improperly installation could lead to leakage and eventually wet furniture and belongings.

13.5.1 Installation principle

- Ensure at least 1/100 slope of the drainage pipe
- Adopt suitable pipe diameter
- Adopt nearby condensate water discharge

13.5.2 Key points of drainage water pipe installation

1. Considering the pipeline route and elevation

- Before installing condensate water pipeline, determine its route and elevation to avoid intersection with other pipelines and ensure slope is straight.

2. Drainage pipe selection

- The drainage pipe diameter shall not small than the drain hose of indoor unit
- According to the water flowrate and drainage pipe slope to choose the suitable pipe, the water flowrate is decided by the capacity of indoor unit.

Relationship between water flowrate and capacity of indoor unit

Capacity (x1000Btu)	Water flowrate (l/h)
12	2.4
18	4
24	6
30	7
36	8
42	10
48	12
60	14

According to the above table to calculate the total water flowrate for the confluence pipe selection.

For horizontal drainage pipe (The following table is for reference)

PVC pipe	Reference value of inner diameter of pipe (mm)	Allowable maximum water flowrate (l/h)		Remark
		Slope 1/50	Slope 1/100	
PVC25	20	39	27	For branch pipe
PVC32	25	70	50	
PVC40	31	125	88	Could be used for confluence pipe
PVC50	40	247	175	
PVC63	51	473	334	

Attention: Adopt PVC40 or bigger pipe to be the main pipe.

For Vertical drainage pipe (The following table is for reference)

PVC pipe	Reference value of inner diameter of	Allowable maximum water flowrate (l/h)	Remark

	pipe (mm)		
PVC25	20	220	For branch pipe
PVC32	25	410	
PVC40	31	730	Could be used for confluence pipe
PVC50	40	1440	
PVC63	51	2760	
PVC75	67	5710	
PVC90	77	8280	

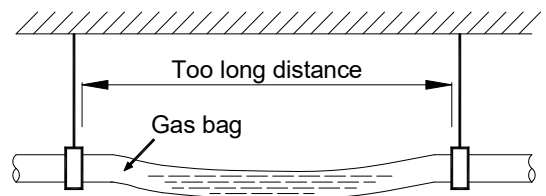
Attention: Adopt PVC40 or bigger pipe to be the main pipe.

3. Individual design of drainage pipe system

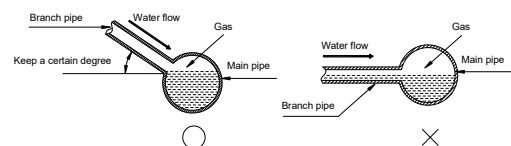
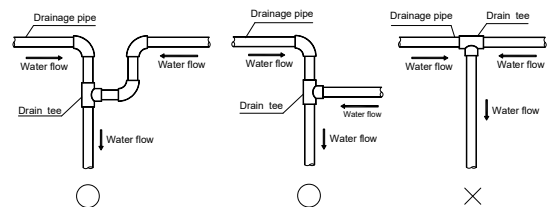
- The drainage pipe of air conditioner shall be installed separately with other sewage pipe, rainwater pipe and drainage pipe in building.
- The drainage pipe of the indoor unit with water pump should be apart from the one without water pump.

4. Supporter gap of drainage pipe

- In general, the supporter gap of the drainage pipe horizontal pipe and vertical pipe is respectively 1m~1.5m (3.28~4.92ft) and 1.5m~2.0m(4.95~6.56ft).
- Each vertical pipe shall be equipped with not less than two hangers.
- Overlarge hanger gap for horizontal pipe shall create bending, thus leading to air block.



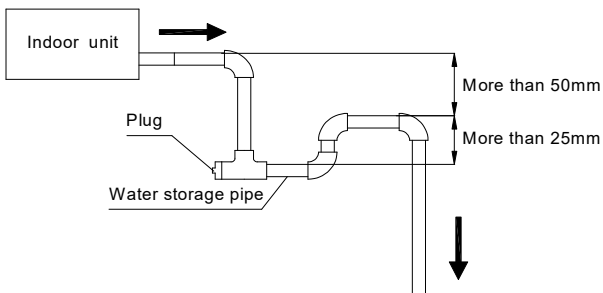
5. The horizontal pipe layout should avoid converse flow or bad flow



- The correct installation will not cause converse water flow and the slope of the branch pipes can be adjusted freely
- The false installation will cause converse water flow and the slope of the branch pipe cannot be adjusted.

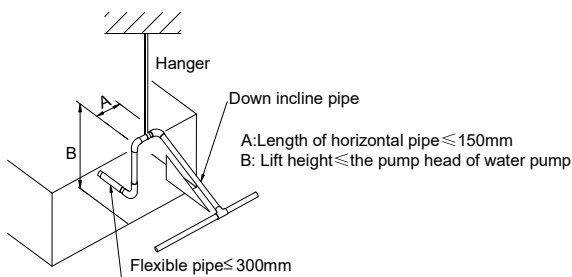
6. Water storage pipe setting

- If the indoor unit has high extra static pressure and without water pump to elevate the condensate water, such as high extra static pressure duct unit, the water storage pipe should be set to avoid converse flow or blow water phenomena.



7. Lifting pipe setting of indoor unit with water pump

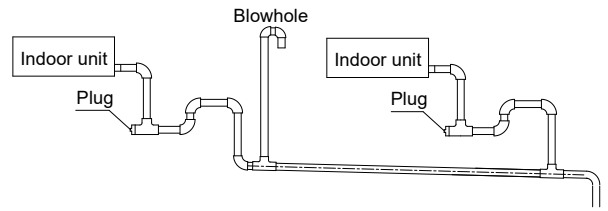
- The length of lifting pipe should not exceed the pump head of indoor unit water pump.
- The drainage pipe should be set down inclined after the lifting pipe immediately to avoid wrong operation of water level switch.
- Refer the following picture for installation reference.



8. Blowhole setting

- For the concentrated drainage pipe system, there should design a blowhole at the highest point of main pipe to ensure the condensate water discharge smoothly.
- The air outlet shall face down to prevent dirt entering pipe.
- Each indoor unit of the system should be installed it.

- The installation should be considering the convenience for future cleaning.



9. The end of drainage pipe shall not contact with ground directly.

13.5.3 Drainage test

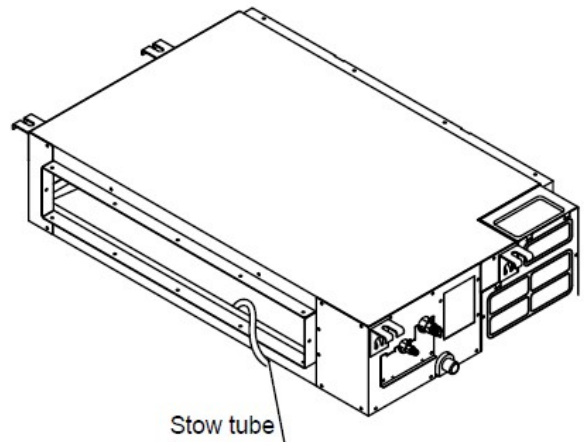
13.5.3.1. Water leakage test

After finishing the construction of drainage pipe system, fill the pipe with water and keep it for 24 hours to check whether there is leakage at joint section.

13.5.3.2. Water discharge test

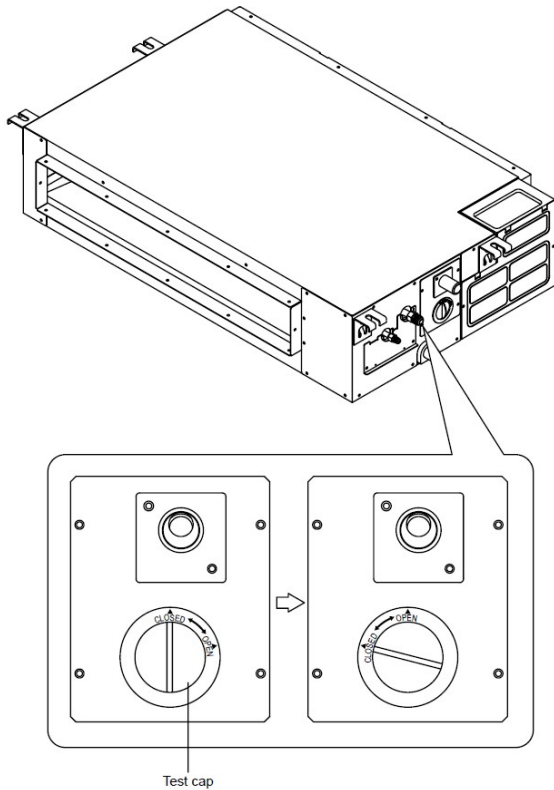
1. Natural drainage mode (the indoor unit with outdoor drainage pump)

Infuse above 600ml water through water test hole slowly into the water collector, observe whether the water can discharge through the transparent hard pipe at drainage outlet.



2. Pump drainage mode

2.1 Disconnect the plug of water level switch, remove the cover of water test hole and slowly infuse about 2000ml water through the water test hole, be sure that the water will not touch the motor of drainage pump.



- 2.2 Power on and let the air conditioner operate for cooling. Check operation status of drainage pump, and then connect the plug of water level switch, check the operation sound of water pump and observe whether the water can discharge through the transparent hard pipe at drainage outlet. (In light of the length of drainage pipe, water shall be discharged about 1 minute delayed)
- 2.3 Stop the operation of air conditioner, power off the power supply and put the cover of water test hole back to the original place.
- a. After stopped the air conditioner 3 minutes, check whether there is anything abnormal. If drainage pipes have not been distributed properly, over back-flow water shall cause the flashing of alarm indicator at remote-controlled receiving board and even water shall run over the water collector.

- b. Continuously infusing water until water level alarmed, check whether the drainage pump could discharge water at once. If water level does not decline under warning water level 3 minutes later, it shall cause shutdown of unit. When this situation happens, the normal startup only can be recovered by turning down power supply and eliminating accumulated water.

Note: Drain plug at the main water-containing plate is used for eliminating accumulated water in water-containing plate when maintaining air conditioner fault. During normal operation, the plug shall be filled in to prevent leakage.

13.5.4 Insulation work of drainage pipe

Refer the introduction to the insulation engineering parts.

13.6 Vacuum Drying and Leakage Checking

13.6.1 Purpose of vacuum drying

- Eliminating moisture in system to prevent the phenomena of ice-blockage and copper oxidation.
Ice-blockage shall cause abnormal operation of system, while copper oxide shall damage compressor.
- Eliminating the non-condensable gas (air) in system to prevent the components oxidizing, pressure fluctuation and bad heat exchange during the operation of system.

13.6.2 Selection of vacuum pump

- The ultimate vacuum degree of vacuum pump shall be -756mmHg or above.
- Precision of vacuum pump shall reach 0.02mmHg or above.

13.6.3 Operation procedure for vacuum drying

Due to different construction environment, two kinds of vacuum drying ways could be chosen,

namely ordinary vacuum drying and special vacuum drying.

1 Ordinary vacuum drying

- When conduct first vacuum drying, connect pressure gauge to the infusing mouth of gas pipe and liquid pipe, and keep vacuum pump running for 1hour (vacuum degree of vacuum pump shall be reached -755mmHg).
- If the vacuum degree of vacuum pump could not reach -755mmHg after 1 hour of drying, it indicates that there is moisture or leakage in pipeline system and need to go on with drying for half an hour.
- If the vacuum degree of vacuum pump still could not reach -755mmHg after 1.5 hours of drying, check whether there is leakage source.
- Leakage test: After the vacuum degree reaches -755mmHg, stop vacuum drying and keep the pressure for 1 hour. If the indicator of vacuum gauge does not go up, it is qualified. If going up, it indicates that there is moisture or leak source.

2 Special vacuum drying

The special vacuum drying method shall be adopted when:

- Finding moisture during flushing refrigerant pipe.
- Conducting construction on rainy day, because rain water might penetrated into pipeline.
- Construction period is long, and rain water might penetrated into pipeline.
- Rain water might penetrate into pipeline during construction.

Procedures of special vacuum drying are as follows:

- Vacuum drying for 1 hour.
- Vacuum damage, filling nitrogen to reach 0.5Kgf/cm² .
Because nitrogen is dry gas, vacuum damage could achieve the effect of vacuum drying, but this method could not achieve drying thoroughly when there is too much moisture. Therefore, special attention shall be drawn to prevent the entering of water and the formation of condensate water.
- Vacuum drying again for half an hour.
If the pressure reaches -755mmHg, start to pressure leakage test. If it cannot reach the value, repeat vacuum damage and vacuum drying again for 1 hour.
- Leakage test: After the vacuum degree reaches -755mmHg, stop vacuum drying and keep the pressure for 1 hour. If the indicator of vacuum gauge does not go up, it is qualified. If going up, it indicates that there is moisture or leak source.

13.7 Additional refrigerant charge

- After the vacuum drying process is carried out, the additional refrigerant charge process needs to be performed.
- The outdoor unit is factory charged with refrigerant. The additional refrigerant charge volume is decided by the diameter and length of the liquid pipe between indoor and outdoor unit. Refer the following formula to calculate the charge volume.

Diameter of liquid pipe (mm)	Φ6.35	Φ9.52
Formula	$V=15g/m \times (L-7.5)$	$V=30g/m \times (L-7.5)$

V: Additional refrigerant charge volume (g).

L: The length of the liquid pipe (m).

Note:

- Refrigerant may only be charged after performed the vacuum drying process.
- Always use gloves and glasses to protect your hands and eyes during the charge work.
- Use electronic scale or fluid infusion apparatus to weight refrigerant to be recharged. Be sure to avoid extra refrigerant charged, it may cause liquid hammer of the compressor or protections.
- Use supplementing flexible pipe to connect refrigerant cylinder, pressure gauge and outdoor unit. And The refrigerant should be charged in liquid state. Before recharging, The air in the flexible pipe and manifold gauge should be exhausted.
- After finished refrigerant recharge process, check whether there is refrigerant leakage at the connection joint part. (Using gas leakage detector or soap water to detect).

13.8 Engineering of insulation

13.8.1 Insulation of refrigerant pipe

1 Operational procedure of refrigerant pipe insulation

Cut the suitable pipe → insulation (except joint section) → flare the pipe → piping layout and connection → vacuum drying → insulate the joint parts

2 Purpose of refrigerant pipe insulation

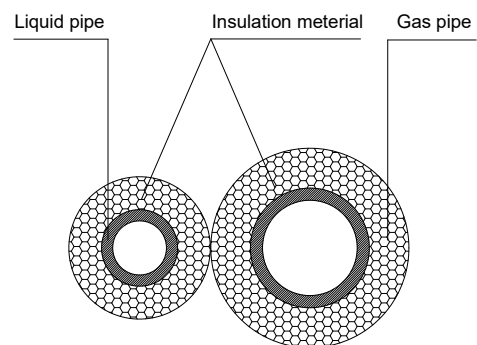
- During operation, temperature of gas pipe and liquid pipe shall be over-heating or over-cooling extremely. Therefore, it is necessary to carry out insulation; otherwise it shall debase the performance of unit and burn compressor.
- Gas pipe temperature is very low during cooling. If insulation is not enough, it shall form dew and cause leakage.
- Temperature of gas pipe is very high (generally 50-100 °C) during heating. Insulation work must be carried out to prevent hurt by carelessness touching.

3 Insulation material selection for refrigerant pipe

- The burning performance should over 120°C
- According to the local law to choose insulation materials
- The thickness of insulation layer shall be above 10mm. If in hot or wet environment place, the layer of insulation should be thicker accordingly.

4 Installation highlights of insulation construction

- Gas pipe and liquid pipe shall be insulated separately, if the gas pipe and liquid pipe were insulated together; it will decrease the performance of air conditioner.



- The insulation material at the joint pipe shall be 5~10cm longer than the gap of the insulation material.
- The insulation material at the joint pipe shall be inserted into the gap of the insulation material.
- The insulation material at the joint pipe shall be banded to the gap pipe and liquid pipe tightly.
- The linking part should be use glue to paste together
- Be sure not bind the insulation material over-tight, it may extrude out the air in the material to cause bad insulation and cause easy aging of the material.

13.8.2 Insulation of drainage pipe

1 Operational procedure of refrigerant pipe insulation

Select the suitable pipe → insulation (except joint section) → piping layout and connection → drainage test → insulate the joint parts

2 Purpose of drainage pipe insulation

The temperature of condensate drainage water is very low. If insulation is not enough, it shall form dew and cause leakage to damage the house decoration.

3 Insulation material selection for drainage pipe

- The insulation material should be flame retardant material, the flame retardancy of the material should be selected according to the local law.
- Thickness of insulation layer is usually above 10mm.
- Use specific glue to paste the seam of insulation material, and then bind with adhesive tape. The width of tape shall not be less than 5cm. Make sure it is firm and avoid dew.

4 Installation and highlights of insulation construction

- The single pipe should be insulated before connecting to another pipe, the joint part should be insulated after the drainage test.
- There should be no insulation gap between the insulation material.

13.9 Engineering of electrical wiring

1 Highlights of electrical wiring installation

- All field wiring construction should be finished by qualified electrician.
- Air conditioning equipment should be grounded according to the local electrical regulations.
- Current leakage protection switch should be installed.
- Do not connect the power wire to the terminal of signal wire.
- When power wire is parallel with signal wire, put wires to their own wire tube and remain at least 300mm gap.
- According to table in indoor part named "the specification of the power" to choose the wiring, make sure the selected wiring not small than the date showing in the table.
- Select different colors for different wire according to relevant regulations.

- Do not use metal wire tube at the place with acid or alkali corrosion, adopt plastic wire tube to replace it.
- There must be not wire connect joint in the wire tube If joint is a must, set a connection box at the place.
- The wiring with different voltage should not be in one wire tube.
- Ensure that the color of the wires of outdoor and the terminal No. are same as those of indoor unit respectively.

13.10 Test operation

1 The test operation must be carried out after the entire installation has been completed.

2 Please confirm the following points before the test operation.

- The indoor unit and outdoor unit are installed properly.
- Tubing and wiring are correctly completed.
- The refrigerant pipe system is leakage-checked.
- The drainage is unimpeded.
- The ground wiring is connected correctly.
- The length of the tubing and the added stow capacity of the refrigerant have been recorded.
- The power voltage fits the rated voltage of the air conditioner.
- There is no obstacle at the outlet and inlet of the outdoor and indoor units.
- The gas-side and liquid-side stop valves are both opened.
- The air conditioner is pre-heated by turning on the power.

3 Test operation

Set the air conditioner under the mode of "COOLING" by remote controller, and check the following points.

Indoor unit

- Whether the switch on the remote controller works well.
- Whether the buttons on the remote controller works well.
- Whether the air flow louver moves normally.
- Whether the room temperature is adjusted well.
- Whether the indicator lights normally.
- Whether the temporary buttons works well.

- Whether the drainage is normal.
- Whether there is vibration or abnormal noise during operation.

Outdoor unit

- Whether there is vibration or abnormal noise during operation.
- Whether the generated wind, noise, or condensed of by the air conditioner have influenced your neighborhood.
- Whether any of the refrigerant is leaked.

14. Operation Characteristics

Temperature Mode	Cooling operation	Heating operation	Drying operation
Room temperature	17°C ~ 32°C (62°F ~ 90°F)	0°C ~ 30°C (32°F ~ 86°F)	10°C ~ 32°C (50°F ~ 90°F)
Outdoor temperature (Entry level)	0°C ~ 50°C (32°F ~ 122°F) (-15°C ~ 50°C (5°F ~ 122°F) : For the models with low temperature cooling system)	-15°C ~ 24°C (5°F ~ 75°F)	0°C ~ 50°C (32°F ~ 122°F)
Outdoor temperature (E-Star level)	-25°C ~ 50°C (-13°F ~ 122°F)	-25°C ~ 30°C (-13°F ~ 86°F)	
Outdoor temperature (Hyper heat)	-30°C ~ 50°C (-22°F ~ 122°F)	-30°C ~ 50°C (-22°F ~ 122°F)	

CAUTION:

1. If the air conditioner is used beyond the above conditions, certain safety protection features may come into operation and cause the unit to operate abnormally.
2. The room relative humidity should be less than 80%. If the air conditioner operates beyond this figure, the surface of the air conditioner may attract condensation. Please set the vertical air flow louver to its maximum angle (vertically to the floor), and set HIGH fan mode.
3. The optimum performance will be achieved during this operating temperature zone.

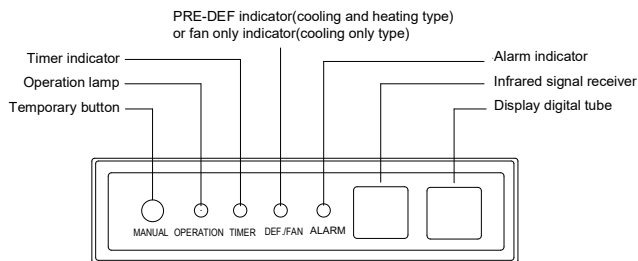
15. Electronic Function

15.1 Abbreviation

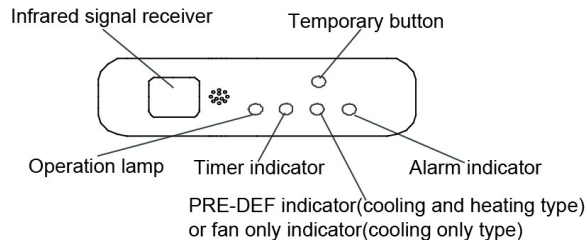
- T1: Indoor room temperature
- T2: Coil temperature of indoor heat exchanger
- T3: Coil temperature of condenser
- T4: Outdoor ambient temperature
- T5: Compressor discharge temperature
- Td: Target temperature

15.2 Display function

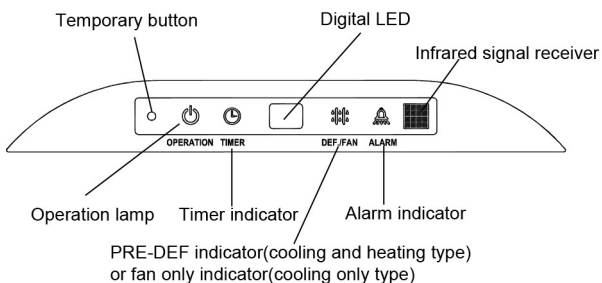
15.2.1 Icon explanation on indoor display board (Duct)



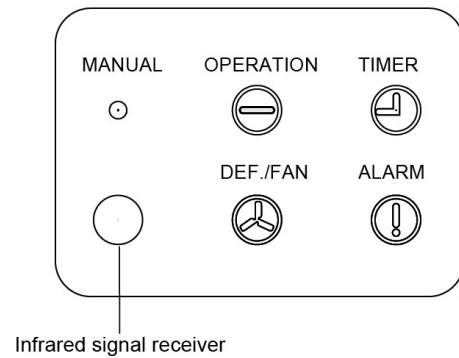
15.2.2 Icon explanation on indoor display board (Compact cassette).



15.2.3 Icon explanation on indoor display board (slim Cassette).



15.2.4 Icon explanation on indoor display board (Ceiling Floor)



15.3 Main Protection

15.3.1 Three minutes delay at restart for compressor

1 minute delay for the 1st time stand-up and 3 minutes delay for others.

15.3.2 Temperature protection of compressor top

The unit will stop working when the compressor top temp. protector cut off, and will restart after the compressor top temp. protector restart.

15.3.3 Temperature protection of compressor discharge

When the compressor discharge temp. is getting higher, the running frequency will be limited as below rules:

- Compressor discharge temp. $T5 > 115^{\circ}\text{C}$ (239°F) for 5s, compressor stops and restarts up till $T5 < 90^{\circ}\text{C}$ (194°F)
- $110 < T5 < 115^{\circ}\text{C}$ (239°F), decrease the frequency to the lower level every 2 minutes.
- $105(221^{\circ}\text{F}) < T5 < 110^{\circ}\text{C}$ (230°F), keep running at the current frequency.
- $T5 < 105^{\circ}\text{C}$ (221°F), no limit for frequency.

15.3.4 Fan speed malfunction

When indoor fan speed keeps too low (lower than 300RPM) for 50s, the indoor fan will shut off and restart 30s later, if protection happened 3 times when fan motor restarts continuously, the unit will stop and the LED will display the failure.

When outdoor fan speed keeps too low (lower than 100RPM) or too high (higher than 1500RPM) for 60s, the unit will stop and the LED will display the failure. Malfunction is cleared 30s later.

For A6 Duct& HESP Duct:

If a fault occurs on the air volume regulator or the regulator enters protection mode, it sends the error message CF and an instruction to reduce fan speed to the master. The message and the instruction can be inquired with the remote controller or the wired controller. (Fault and protection information are displayed for one minute). After a fault occurs, the master unit shows the error code E3 and the fault count for one minute. If the fault occurs three times, then the fan is unable to resolve the problem independently. External shutdown by a remote controller, wired controller, or central controller must be used to clear the fan fault and fault count. The fan runs normally for 5 minutes while clearing fault count.

0: No malfunction
1:P0 Overcurrent
2:Overpressure
3:Overload
4:Overspeed
5:Startup malfunction
6:Lack of phase
7:DC voltage too low
8:Communication fault
9:Parameter fault
10:L3 Current limited
11:L5 Voltage limited
12:Target speed cannot be met during the static pressure calculation process.

15.3.5 Inverter module protection

The Inverter module has a protection function about current, voltage and temperature. If these protections happen, the corresponding code will display on indoor unit and the unit will stop working.

15.3.6 Indoor fan delayed open function

When the unit starts up, the louver will be active immediately and the indoor fan will open 7s later.

If the unit runs in heating mode, the indoor fan will be also controlled by anti-cold wind function.

15.3.7 Compressor preheating functions

Preheating permitting condition:

If $T4 < 3^{\circ}\text{C}$ (37.4°F) and the machine connects to power supply newly within 5 seconds or if $T4 < 3^{\circ}\text{C}$ (37.4°F) and compressor has stopped for over 3 hours, the compressor heating cable will work.

Preheating mode:

A weak current flow through the coil of compressor from the wiring terminal of the compressor, then the compressor is heated without operation.

Preheating release condition:

If $T4 \geq 5^{\circ}\text{C}$ (41°F) or the compressor starts running, the preheating function will stop.

15.3.9 Condenser high temperature T3 protection

--- 55°C (131°F) $< T3 < 60^{\circ}\text{C}$ (140°F), the compressor frequency will decrease to the lower level until to F1 and then runs at F1. If $T3 < 54^{\circ}\text{C}$ (129.2°F), the compressor will keep running at the current frequency.

--- $T3 < 52^{\circ}\text{C}$ (125.6°F), the compressor will not limit the frequency and resume to the former frequency.

--- $T3 > 60^{\circ}\text{C}$ (140°F) for 5 seconds, the compressor will stop until $T3 < 52^{\circ}\text{C}$ (125.6°F).

15.3.10 Evaporator low temperature T2 protection

--- $T2 < 0^{\circ}\text{C}$ (32°F), the compressor will stop and restart when $T2 \geq 5^{\circ}\text{C}$ (41°F).

--- 0°C (32°F) $\leq T2 < 4^{\circ}\text{C}$ (39.2°F), the compressor frequency will be limited and decreased to the lower level

--- 4°C (39.2°F) $\leq T2 \leq 7^{\circ}\text{C}$ (44.6°F), the compressor will keep the current frequency.

--- $T2 > 7^{\circ}\text{C}$ (44.6°F), the compressor frequency will not be limited.

15.4 Operation Modes and Functions

15.4.1 Fan mode

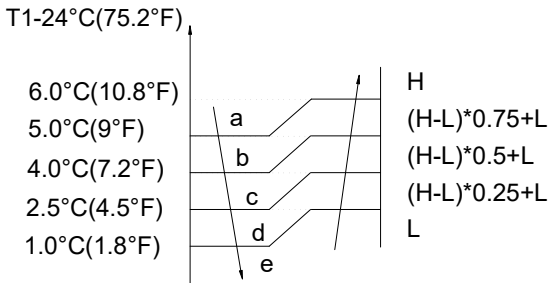
(1) Outdoor fan and compressor stop.

(2) Temperature setting function is disabled, and no setting temperature is displayed.

(3) Indoor fan can be set to high/med/low/auto.

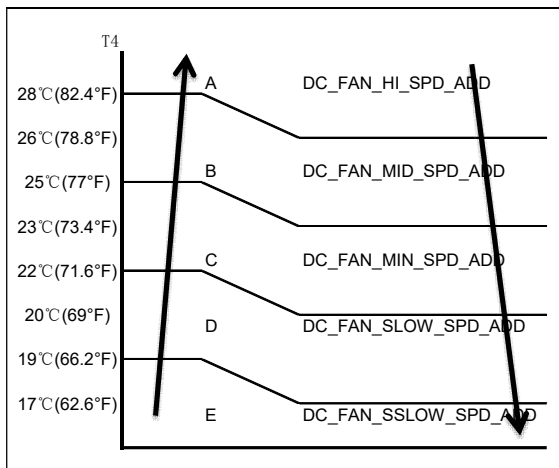
(4) The louver operates same as in cooling mode.

(5) Auto fan:



15.4.2 Cooling Mode

15.4.2.1 Outdoor fan running rules



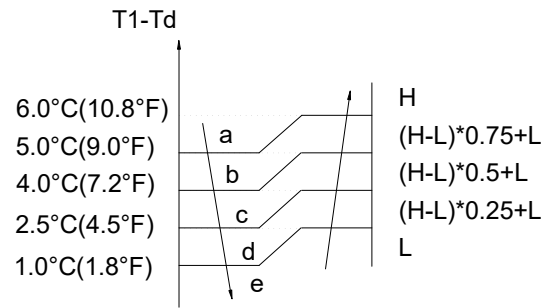
15.4.2.2 Indoor fan running rules

In cooling mode, indoor fan runs all the time and the speed can be selected as high, medium, low and auto.

The indoor fan is controlled as below:

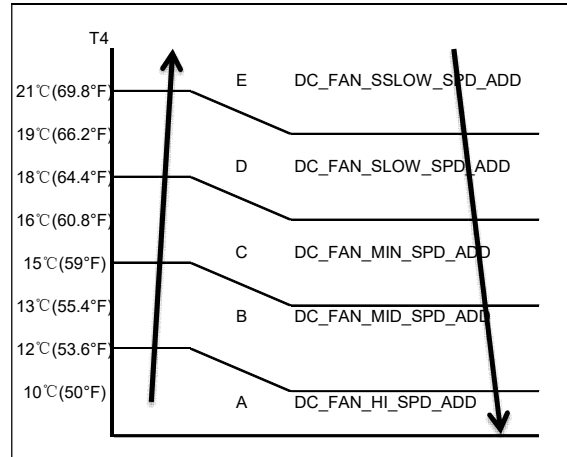
Setting fan speed	T1-Td °C(°F)	Actual fan speed
H	4.5(8.1)	H+ (H+=H+G)
	3.0(5.4)	H (=H)
	1.5(2.7)	H- (H-=H-G)
M	4.5(8.1)	M+ (M+=M+Z)
	3.0(5.4)	M (M=M)
	1.5(2.7)	M- (M-=M-Z)
L	4.5(8.1)	L+ (L+=L+D)
	3.0(5.4)	L (L=L)
	1.5(2.7)	L- (L-=L-D)

Auto fan in cooling mode acts as follow:



15.4.3 Heating Mode

15.4.3.1 Outdoor fan running rules



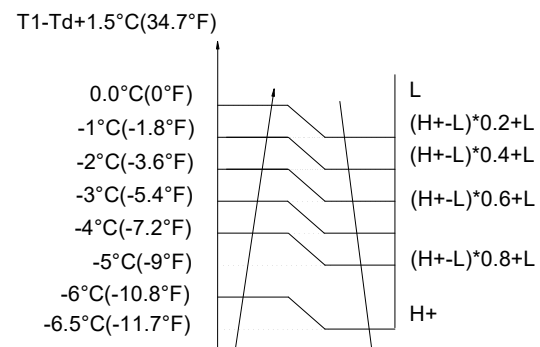
15.4.3.2 Indoor fan running rules

When the compressor is on, the indoor fan can be set to high/med/low/auto. And the anti-cold wind function has the priority.

The indoor fan is controlled as below:

Setting fan speed	T1-Td+1.5 °C(34.7°F)	Actual fan speed
H	-1.5(-2.7° F)	H- (H-=H-G)
	-3.0(-4.8° F)	H (=H)
	-4.5(-8.1° F)	H+ (H+=H+G)
M	-1.5(-2.7° F)	M- (M-=M-Z)
	-3.0(-4.8° F)	M (M=M)
	-4.5(-8.1° F)	M+ (M+=M+Z)
L	-1.5(-2.7° F)	L- (L-=L-D)
	-3.0(-4.8° F)	L (L=L)
	-4.5(-8.1° F)	L+ (L+=L+D)

Auto fan action in heating mode:



15.4.3 Defrosting mode

If any one of the following items is satisfied, AC will enter the defrosting mode.

After the compressor starts up and keeps running, mark the minimum value of T3 from the 10th minutes to 15th minutes as T30.

1) If the compressor cumulate running time is up to 29 minutes and $T3 < TCDI1$, $T3 + T30SUBT3ONE \leq T30$.

2) If the compressor cumulate running time is up to 35 minutes and $T3 < TCDI2$, $T3 + T30SUBT3TWO \leq T30$.

3) If the compressor cumulate running time is up to 29 minutes and $T3 < TCDI3$ for 3 minutes.

4) If the compressor cumulate running time is up to 120 minutes and $T3 < -15^{\circ}\text{C}$ (5°F).

Condition of ending defrosting:

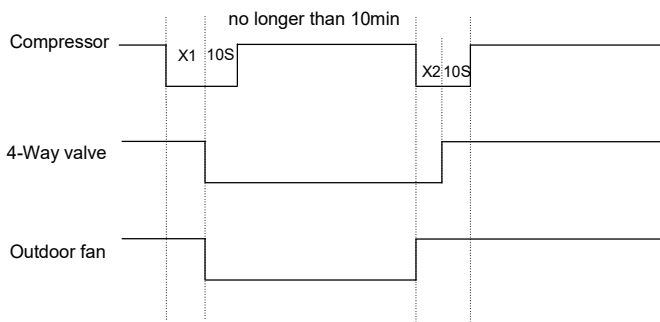
If any one of the following items is satisfied, the defrosting will finish and the machine will turn to normal heating mode.

---T3 rises to be higher than TCDE1.

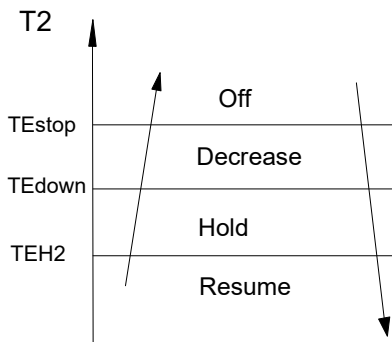
---T3 keeps to be higher than TCDE2 for 80 seconds.

---The machine has run for 10 minutes in defrosting mode.

Defrosting action:



15.4.3.5 Evaporator coil temperature protection



Off: Compressor stops.

Decrease: Decrease the running frequency to the lower level.

Hold: Keep the current frequency.

Resume: No limitation for frequency.

15.4.4 Auto-mode

This mode can be chosen with remote controller and the setting temperature can be changed between $17\sim 30^{\circ}\text{C}$ ($63\sim 86^{\circ}\text{F}$).

In auto mode, the machine will choose cooling, heating or fan-only mode according to ΔT ($\Delta T = T1 - Ts$).

$\Delta T = T1 - Ts$	Running mode
$\Delta T > 2^{\circ}\text{C}$ (3.6°F)	Cooling
-2°C (-3.6°F) $\leq \Delta T \leq 2^{\circ}\text{C}$ (3.6°F)	Fan-only
$\Delta T < -2^{\circ}\text{C}$ (-3.6°F)	Heating

Indoor fan will run at auto fan of the relevant mode.

The louver operates same as in relevant mode. If the machine switches mode between heating and cooling, the compressor will keep stopping for 15 minutes and then choose mode according to $T1 - Ts$.

If the setting temperature is modified, the machine will choose running function again.

15.4.5 Drying mode

Drying mode works the same as cooling mode in breeze speed.

All protections are active and the same as that in cooling mode.

15.4.6 Timer function

15.4.6.1 Timing range is 24 hours.

15.4.6.2 Timer on. The machine will turn on automatically when reaching the setting time.

15.4.6.3 Timer off. The machine will turn off automatically when reaching the setting time.

15.4.6.4 Timer on/off. The machine will turn on automatically when reaching the setting "on" time, and then turn off automatically when reaching the setting "off" time.

15.4.6.5 Timer off/on. The machine will turn off automatically when reaching the setting “off” time, and then turn on automatically when reaching the setting “on” time.

15.4.6.6 The timer function will not change the AC current operation mode. Suppose AC is off now, it will not start up firstly after setting the “timer off” function. And when reaching the setting time, the timer LED will be off and the AC running mode has not been changed.

15.4.6.7 The setting time is relative time.

15.4.7 Sleep function mode

15.4.7.1 The sleep function is available in cooling, heating or auto mode.

15.4.7.2. Operation process in sleep mode is as follow:

When cooling, the setting temperature rises 1°C (1.8°F) (be lower than 30°C(86°F)) every one hour, 2 hours later the setting temperature stops rising and the indoor fan is fixed at low speed.

When heating, the setting temperature decreases 1°C (1.8°F) (be higher than 17°C (62.6°F)) every one hour, 2 hours later the setting temperature stops rising and indoor fan is fixed at low speed. (Anti-cold wind function has the priority).

15.4.7.3 Operation time in sleep mode is 7 hours. After 7 hours, the unit does not switch off, but for console, the unit switches off.

15.4.7.4 Timer setting is available.

15.4.8 Auto-Restart function

The indoor unit is equipped with auto-restart function, which is carried out through an auto-restart module. In case of a sudden power failure, the module memorizes the setting conditions before the power failure. The unit will resume the previous operation setting (not including sleep function) automatically after 3 minutes when power returns.

15.4.9 Follow me

1) If the indoor PCB receives the signal which

results from pressing the FOLLOW ME button on remote controller or wired remote controller, the buzzer will emit a sound and this indicates the follow me function is initiated. But when the indoor PCB receives signal which sent from remote controller every 3 minutes, the buzzer will not respond. When the unit is running with follow me function, the PCB will control the unit according to the temperature from follow me signal, and the temperature collection function of room temperature sensor will be shielded.

2) When the follow me function is available, the PCB will control the unit according to the room temperature from the remote controller and the setting temperature.

3) The PCB will take action to the mode change information from remote controller signal, but it will not be affected by the setting temperature.

4) When the unit is running with follow me function, if the PCB doesn't receive any signal from remote controller for 7 minutes or pressing FOLLOW ME button again, the follow me function will be turned off automatically, and the temperature will control the unit according to the room temperature detected from its own room temperature sensor and setting temperature.

15.4.10 8°C Heating(optional)

In heating operation, the preset temperature of the air conditioner can be as low as 8°C (46.4°F), which keeps the room temperature steady at 8°C(46.4°F) and prevents household things freezing when the house is unoccupied for a long time in severe cold weather.

15.4.11 Drain pump control

Adopt the water-level switch to control the action of drain pump.

Main action under different condition :(every 5 seconds the system will check the water level one time)

1. When the A/C operates with cooling (including auto cooling), dehumidifying, and

forced cooling mode, the pump will start running immediately and continuously, till stop cooling.

2. Once the water level increase and up to the control point, LED will alarm and the drain pump open and continue checking the water level. If the water level fall down and LED disarmed (drain pump delay close 1 minute) and operate with the last mode. Otherwise the entire system stop operating (including the pump) and LED remain alarming after 3 minutes,

15.4.12 Point check function

Press the LED DISPLAY or LED or MUTE button of the remote controller three times, and then press the AIR DIRECTION or SWING button three times in ten seconds, the buzzer will keep ring for two seconds. The air conditioner will enter into the information enquiry status. You can press the LED DISPLAY or AIR DIRECTION button to check the next or front item's information.

When the AC enter the "information enquiry" status, it will display the code name in 2 seconds, the details are as follows.

Enquiry information	Displaying code	Meaning
T1	T1	T1 temp.
T2	T2	T2 temp.
T3	T3	T3 temp.
T4	T4	T4 temp.
T2B	Tb	T2B temp.
TP	TP	TP temp.
TH	TH	TH temp.
Targeted Frequency	FT	Targeted Frequency
Actual Frequency	Fr	Actual Frequency
Indoor fan speed	IF	Indoor fan speed
Outdoor fan speed	OF	Outdoor fan speed
EXV opening angle	LA	EXV opening angle
Compressor continuous running time	CT	Compressor continuous running time
Causes of compressor stop.	ST	Causes of compressor stop.
Reserve	A0	
Reserve	A1	
Reserve	b0	
Reserve	b1	
Reserve	b2	
Reserve	b3	
Reserve	b4	
Reserve	b5	
Reserve	b6	
Reserve	dL	
Reserve	Ac	
Reserve	Uo	
Reserve	Td	

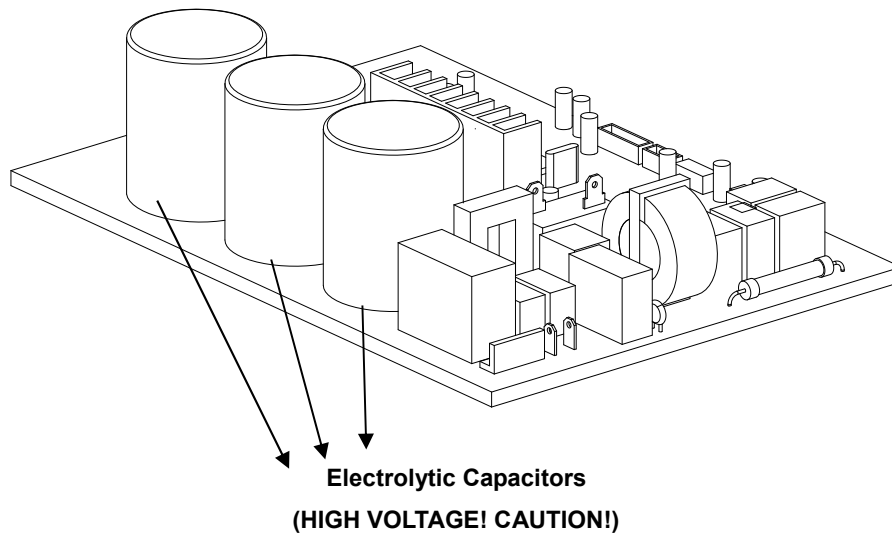
When the AC enter into the information enquiry status, it will display the code value in the next 25s, the details are as follows.

Enquiry information	Display value	Meaning	Remark
T1,T2,T3,T4, T2B,TP,TH, Targeted Frequency, Actual Frequency	-1F,-1E,-1d,-1c,- 1b,-1A	-25,-24,-23,-22,-21,-2 0	1. All the displaying temperature is actual value. 2. All the temperature is °C no matter what kind of remote controller is used. 3. T1,T2,T3,T4,T2B display range:-25~70, TP display range:-20~130. 4. Frequency display range: 0~159HZ. 5. If the actual value exceeds the range, it will display the maximum value or minimum value.
	-19—99	-19—99	
	A0,A1,...A9	100,101,...109	
	b0,b1,...b9	110,111,...119	
	c0,c1,...c9	120,121,...129	
	d0,d1,...d9	130,131,...139	
	E0,E1,...E9	140,141,...149	
	F0,F1,...F9	150,151,...159	
Indoor fan speed /Outdoor fan speed	0	OFF	
	1,2,3,4	Low speed, Medium speed, High speed, Turbo	For some big capacity motors.
	14-FF	Actual fan speed=Display value turns to decimal value and then multiply 10. The unit is RPM.	For some small capacity motors, display value is from 14-FF(hexadecimal), the corresponding fan speed range is from 200-2550RPM.
EXV opening angle	0-FF	Actual EXV opening value=Display value turns to decimal value and then multiply 2.	
Compressor continuous running time	0-FF	0-255 minutes	If the actual value exceeds the range, it will display the maximum value or minimum value.
Causes of compressor stop.	0-99	For the detailed meaning, please consult with engineer	Decimal display
Reserve	0-FF		

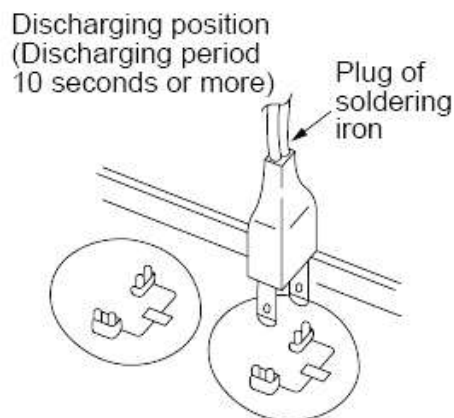
16. Troubleshooting

Safety

Electricity is stored in capacitors, even when the power supply is shut off. Do not forget to discharge the electricity in the capacitors.



For other models, For other models, connect a discharge resistor (approx. 100Ω 40W) or a soldering iron plug between the + and - terminals of the electrolytic capacitor on the opposite side of the outdoor printed circuit board (PCB).



Note: The picture above is for reference purposes only. The design of the devices depicted may vary by model.

16.1 Indoor Unit Error Display

Operation lamp	Timer lamp	Display	LED STATUS
☆ 1 time	X	E0	Indoor unit EEPROM parameter error
☆ 2 times	X	E1	Communication malfunction between indoor and outdoor units
☆ 4 times	X	E3	Indoor fan speed malfunction
☆ 5 times	X	E4	Indoor room temperature sensor (T1) malfunction
☆ 6 times	X	E5	Evaporator coil temperature sensor (T2) malfunction
☆ 7 times	X	EC	Refrigerant leakage detection
☆ 8 times	X	EE	Water-level alarm malfunction
☆ 1 time	O	F0	Current overload protection
☆ 2 times	O	F1	Outdoor ambient temperature sensor (T4) malfunction
☆ 3 times	O	F2	Condenser coil temperature sensor (T3) malfunction
☆ 4 times	O	F3	Compressor discharge temperature sensor (T5) malfunction
☆ 5 times	O	F4	Outdoor unit EEPROM parameter error
☆ 6 times	O	F5	Outdoor fan speed malfunction
☆ 8 times	O	F7	Communication malfunction between indoor unit and auto-lifting panel
☆ 9 times	O	F8	Auto-lifting panel malfunction
☆ 10 times	O	F9	Auto-lifting panel malfunction is not closed
☆ 1 times	☆	P0	Inverter module (IPM) malfunction
☆ 2 times	☆	P1	Over-voltage or under-voltage protection
☆ 3 times	☆	P2	Compressor top high temperature protection (OLP)/ High temperature protection of IPM board
☆ 4 times	☆	P3	Low ambient temperature cut off in heating
☆ 5 times	☆	P4	Compressor drive malfunction
☆ 6 times	☆	P5	Indoor units mode conflict
☆ 7 times	☆	P6	Low pressure protection
☆ 8 times	☆	P7	Outdoor IPM temperature sensor error

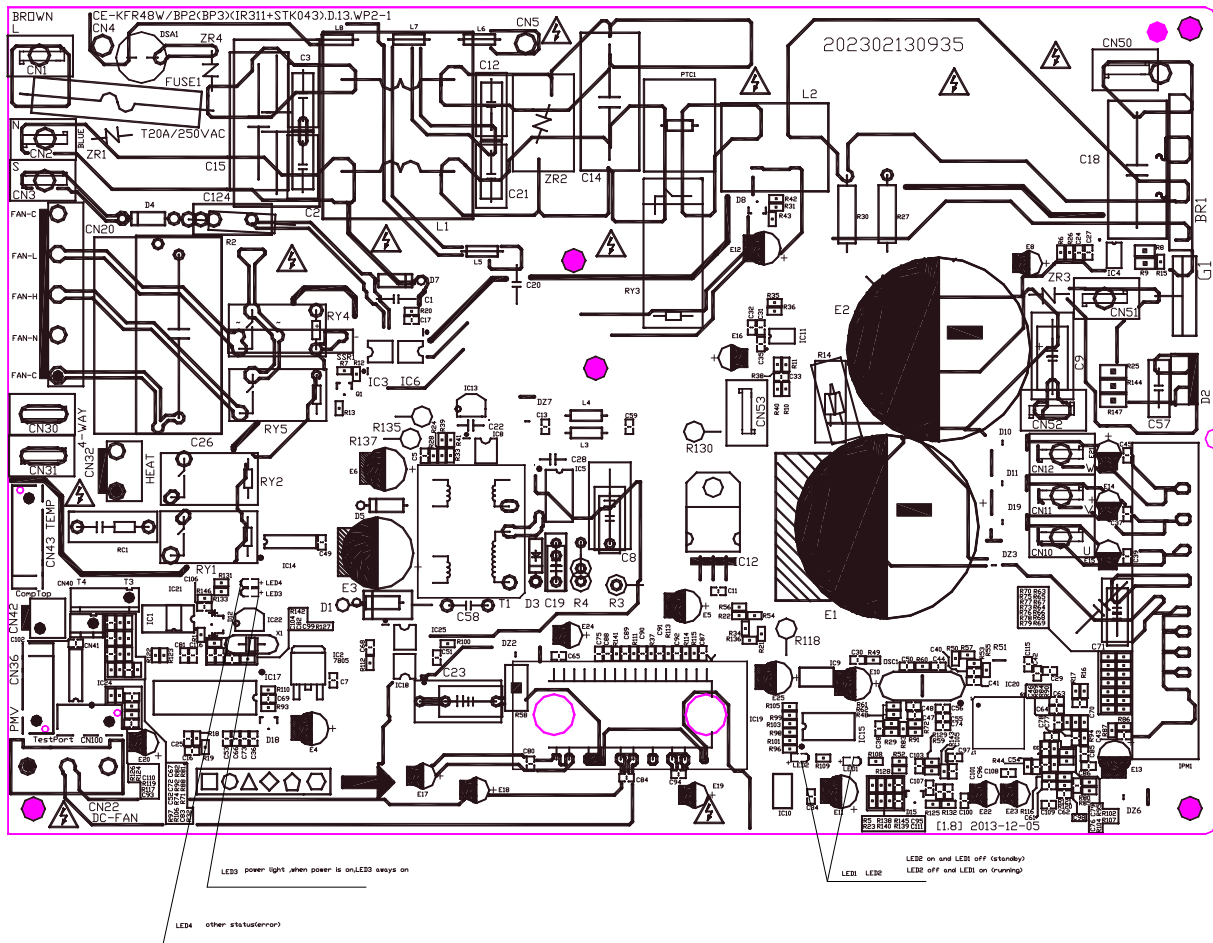
O (light) X (off) ☆ (flash)

16.2 Error Display on Two Way Communication Wired Controller

Display	LED STATUS
F0	Communication error between wired controller and indoor unit
F1	The cassette faceplate is abnormal
E7	Indoor unit EEPROM parameter error
E1	Communication malfunction between indoor and outdoor units
E8	Indoor fan speed malfunction
E2	Indoor room temperature sensor (T1) malfunction
E3	Evaporator coil temperature sensor (T2) malfunction
EF	Refrigerant leakage detection
EE	Water-level alarm malfunction
E5	Outdoor ambient temperature sensor (T4) malfunction
E5	Condenser coil temperature sensor (T3) malfunction
E5	Compressor discharge temperature sensor (T5) malfunction
ED	Outdoor unit EEPROM parameter error
ED	Outdoor fan speed malfunction
EB	Inverter module (IPM) malfunction
EF	Other malfunction

16.3 Outdoor unit error display

For 9K-24K outdoor unit:



No.	Problems	LED2 (Green)	LED1 (Red)	IU display
1	standby for normal	O	X	
2	Operation normally	X	O	
3	Compressor drive board EEPROM error	O	☆	E5
4	IPM malfunction or IGBT over-strong current protection	☆	X	P0
5	Over voltage or too low voltage protection	O	O	P1
6	Inverter compressor drive error	X	☆	P4
7	Inverter compressor drive error	☆	O	P4
8	Communication malfunction between main control board and driver board	☆	☆	P4

For 36K-60K Outdoor Unit

No	Problems	Error Code
1	Communication malfunction between indoor and outdoor units	E1
2	Current overload protection	F0
3	Outdoor ambient temperature sensor (T4) malfunction	F1
4	Condenser coil temperature sensor (T3) malfunction	F2
5	Compressor discharge temperature sensor (T5) malfunction	F3
6	Outdoor unit EEPROM parameter error	F4
7	Outdoor fan speed malfunction	F5
8	Inverter module (IPM) malfunction	P0
9	Over-voltage or under-voltage protection	P1
10	Compressor top high temperature protection (OLP)	P2
11	Low ambient temperature cut off in heating	P3
12	Compressor drive malfunction	P4
13	High temperature protection of indoor coil in heating	J0
14	Outdoor temperature protection of outdoor coil in cooling	J1
15	Temperature protection of compressor discharge	J2
16	PFC module protection	J3
17	Communication malfunction between control board and IPM board	J4
18	High pressure protection	J5
19	Low pressure protection	J6
20	Outdoor IPM module temperature sensor malfunction	P7
21	AC voltage protection	J8

Outdoor check function

N	Display	Remark
00	Normal display	Display running frequency, running state or malfunction code
01	Indoor unit capacity demand code	Actual data*HP*10 If capacity demand code is higher than 99, the digital display tube will show single digit and tens digit. (For example, the digital display tube show "5.0",it means the capacity demand is 15. the digital display tube show "60",it means the capacity demand is 6.0)
02	Amendatory capacity demand code	
03	The frequency after the capacity requirement transfer	
04	The frequency after the frequency limit	
05	The frequency of sending to 341 chip	
06	Indoor unit evaporator temperature	If the temp. is lower than 0 degree, the digital display tube will show "0".If the temp. is higher than 70 degree, the digital display tube will show "70".
07	Condenser pipe temp.(T3)	If the temp. is lower than -9 degree, the digital display tube

08	Outdoor ambient temp.(T4)	will show “-9”.If the temp. is higher than 70 degree, the digital display tube will show “70”. If the indoor unit is not connected, the digital display tube will show: “——”		
09	Compressor discharge temp.(T5)	The display value is between 13~129 degree. If the temp. is lower than 13 degree, the digital display tube will show “13”.If the temp. is higher than 99 degree, the digital display tube will show single digit and tens digit. (For example, the digital display tube show “0.5”,it means the compressor discharge temp. is 105 degree. the digital display tube show “1.6”,it means the compressor discharge temp. is 116 degree)		
10	AD value of current	The display value is hex number.		
11	AD value of voltage			
12	Indoor unit running mode code	Off:0, Fan only 1,Cooling:2, Heating:3		
13	Outdoor unit running mode code	Off:0, Fan only 1,Cooling:2, Heating:3, Forced cooling:4		
14	EXV open angle	Actual data/4. If the value is higher than 99, the digital display tube will show single digit and tens digit. For example, the digital display tube show “2.0”,it means the EXV open angle is 120×4=480p.)		
15	Frequency limit symbol	Bit7	Frequency limit caused by IGBT radiator	The display value is hex number. For example, the digital display tube show 2A, then Bit5=1, Bit3=1, Bit1=1. It means frequency limit caused by T4, T3 and current.
		Bit6	Frequency limit caused by PFC	
		Bit5	Frequency limit caused by T4.	
		Bit4	Frequency limit caused by T2.	
		Bit3	Frequency limit caused by T3.	
		Bit2	Frequency limit caused by T5.	
		Bit1	Frequency limit caused by current	
Bit0	Frequency limit caused by voltage			
16	DC fan motor speed			
17	IGBT radiator temp.	The display value is between 30~120 degree. If the temp. is lower than 30 degree, the digital display tube will show “30”.If the temp. is higher than 99 degree, the digital display tube will show single digit and tens digit. (For example, the digital display tube show “0.5”,it means the IGBT radiator temp. is 105 degree. the digital display tube show “1.6”,it means the IGBT radiator temp. is 116 degree)		
18	Indoor unit number	The indoor unit can communicate with outdoor unit well. General:1, Twins:2		
19	Evaporator pipe temp. T2 of 1# indoor unit	If the temp. is lower than 0 degree, the digital display tube will show “0”.If the temp. is higher than 70 degree, the digital display tube will show “70”. If the indoor unit is not		
20	Evaporator pipe temp. T2 of 2# indoor unit			
21	Evaporator pipe temp. T2 of 3# indoor unit			

		connected, the digital display tube will show: "——"
22	1# Indoor unit capacity demand code	Actual data*HP*10 If capacity demand code is higher than 99, the digital display tube will show single digit and tens digit. (For example, the digital display tube show "5.0",it means the capacity demand is 15. the digital display tube show "60",it means the capacity demand is 6.0). If the indoor unit is not connected, the digital display tube will show: "——"
23	2# Indoor unit capacity demand code	
24	3# Indoor unit capacity demand code	
25	Room temp. T1 of 1# indoor unit	If the temp. is lower than 0 degree, the digital display tube will show "0".If the temp. is higher than 70 degree, the digital display tube will show "70". If the indoor unit is not connected, the digital display tube will show: "——"
26	Room temp. T1 of 2# indoor unit	
27	Average room temp. T1	
28	Reason of stop	
29	Evaporator pipe temp. T2B of 1# indoor unit	If the temp. is lower than 0 degree, the digital display tube will show "0".If the temp. is higher than 70 degree, the digital display tube will show "70". If the indoor unit is not connected, the digital display tube will show: "——"
30	Evaporator pipe temp. T2B of 2# indoor unit	

16.4 Diagnosis and Solution

16.4.1 EEPROM parameter error diagnosis and solution (E0/F4)

Error Code	E0/F4
Malfunction conditions	Indoor or outdoor PCB main chip does not receive feedback from EEPROM chip.
Potential causes	<ul style="list-style-type: none">● Installation mistake● Faulty PCB

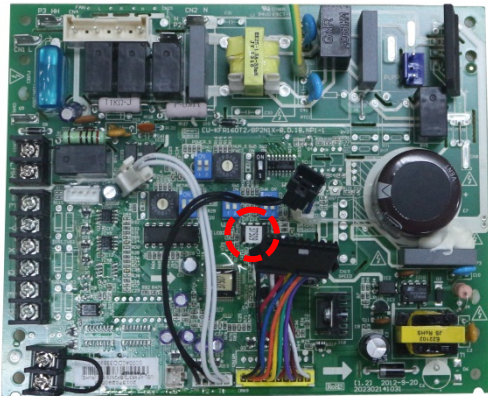
Trouble shooting:

Power off, then restart the unit 2 minutes later. Does a problem still remain?

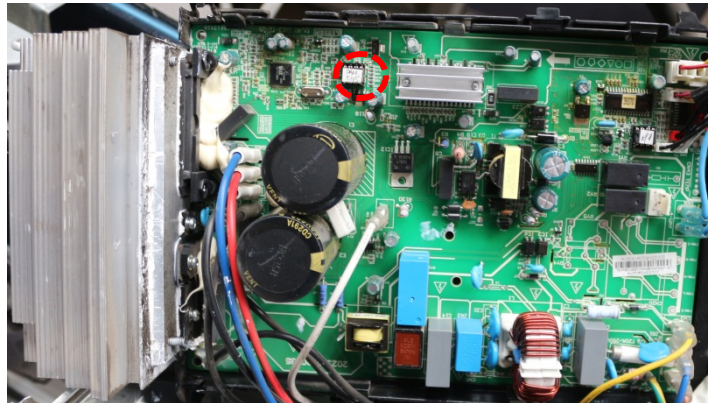
Yes

Replace the indoor/outdoor main PCB.

EEPROM: a type of read-only memory. The contents can be erased and reprogrammed using a pulsed voltage. To locate the EEPROM chip,



Indoor PCB



Outdoor PCB

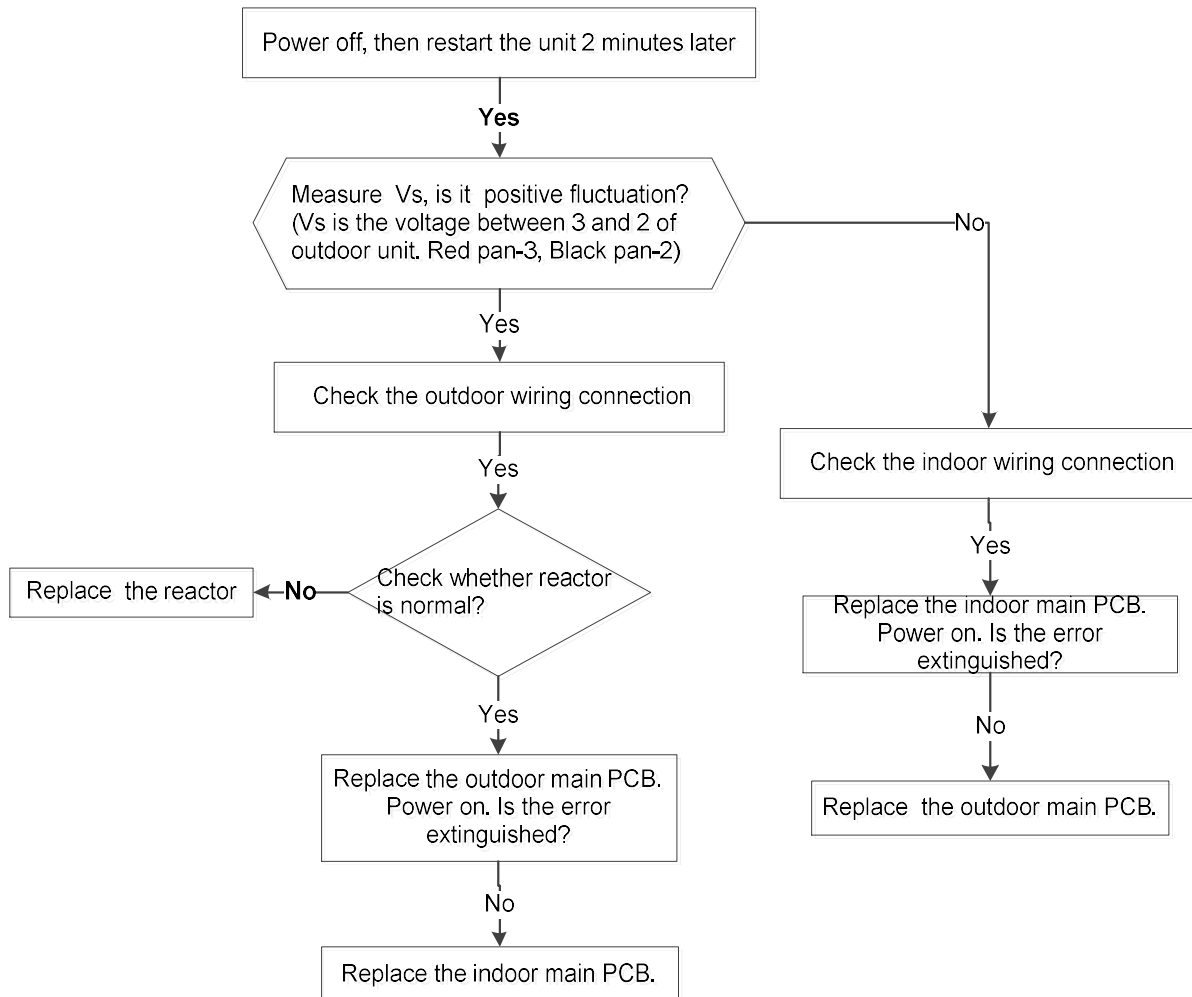
Note: The two photos above are only for reference purposes only. The design of the devices depicted may vary by model.

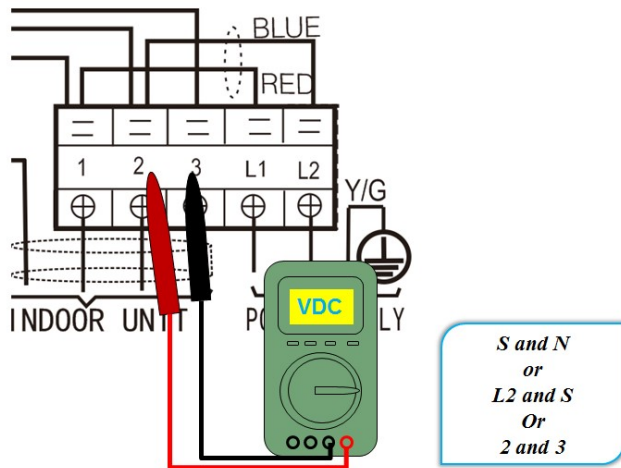
16.4.2 Communication malfunction between indoor and outdoor units diagnosis and solution (E1)

For 9K-24K:

Error Code	E1
Malfunction conditions	If the indoor unit does not receive feedback from outdoor unit for 110 seconds 4 consecutive times.
Potential causes	<ul style="list-style-type: none"> ● Wiring mistake ● Faulty indoor or outdoor PCB

Trouble shooting:





Remark:

Use a multimeter to test the DC voltage between 2 port and 3 port of outdoor unit. The red pin of multimeter connects with 2 port while the black pin is for 3 port.

When AC is normal running, the voltage will move alternately between -50V to 50V.

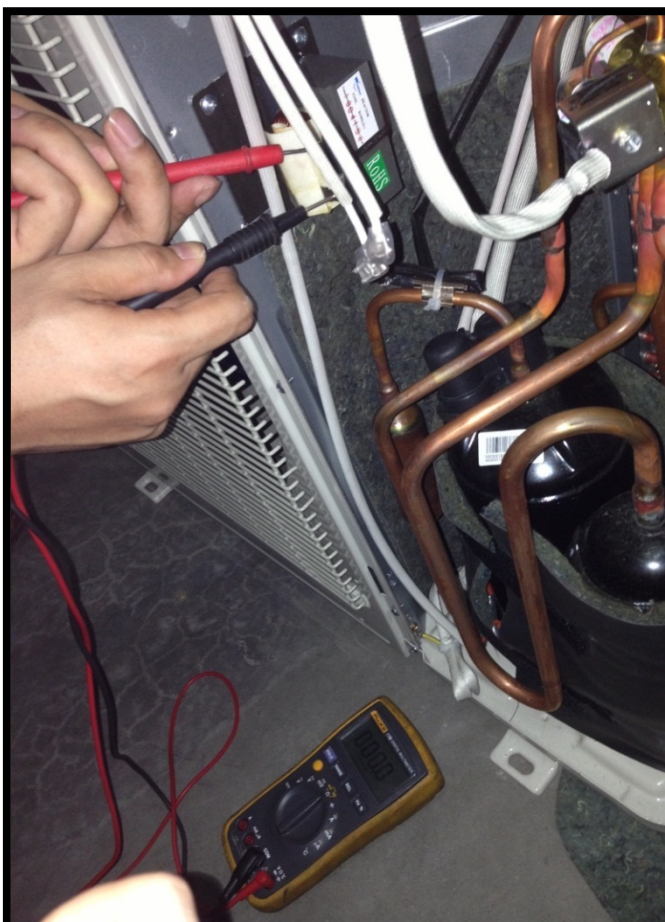
If the outdoor unit has malfunction, the voltage will move alternately with positive value.

While if the indoor unit has malfunction, the voltage will be a certain value.

Remark,

The old label is L1,L2,S, L1,L2

The new label is 1, 2, 3, L1,L2



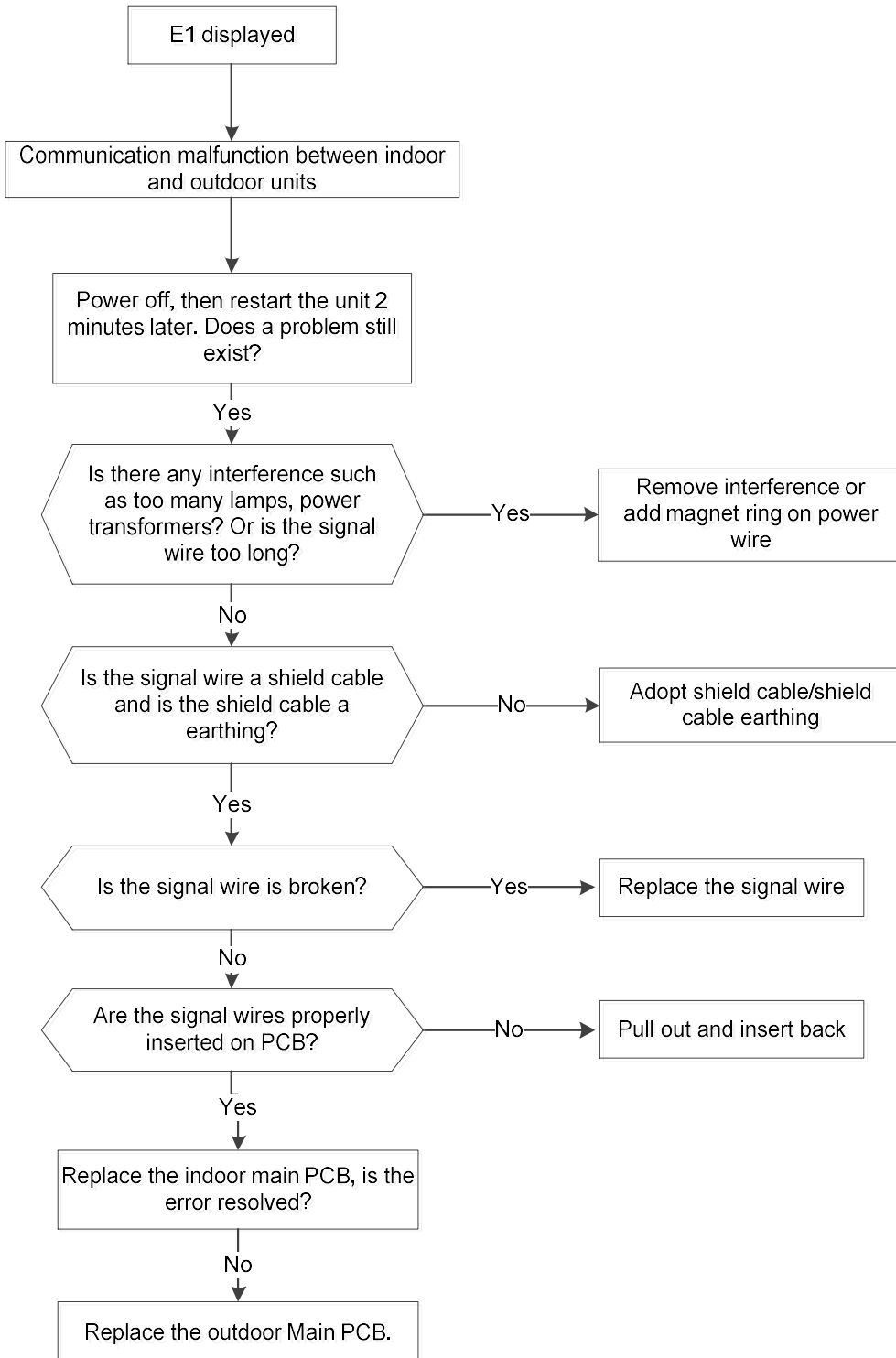
Remark:

Use a multimeter to test the resistance of the reactor which does not connect with capacitor.

The normal value should be around zero ohm. Otherwise, the reactor must have malfunction and need to be replaced.

For 36K-48K:

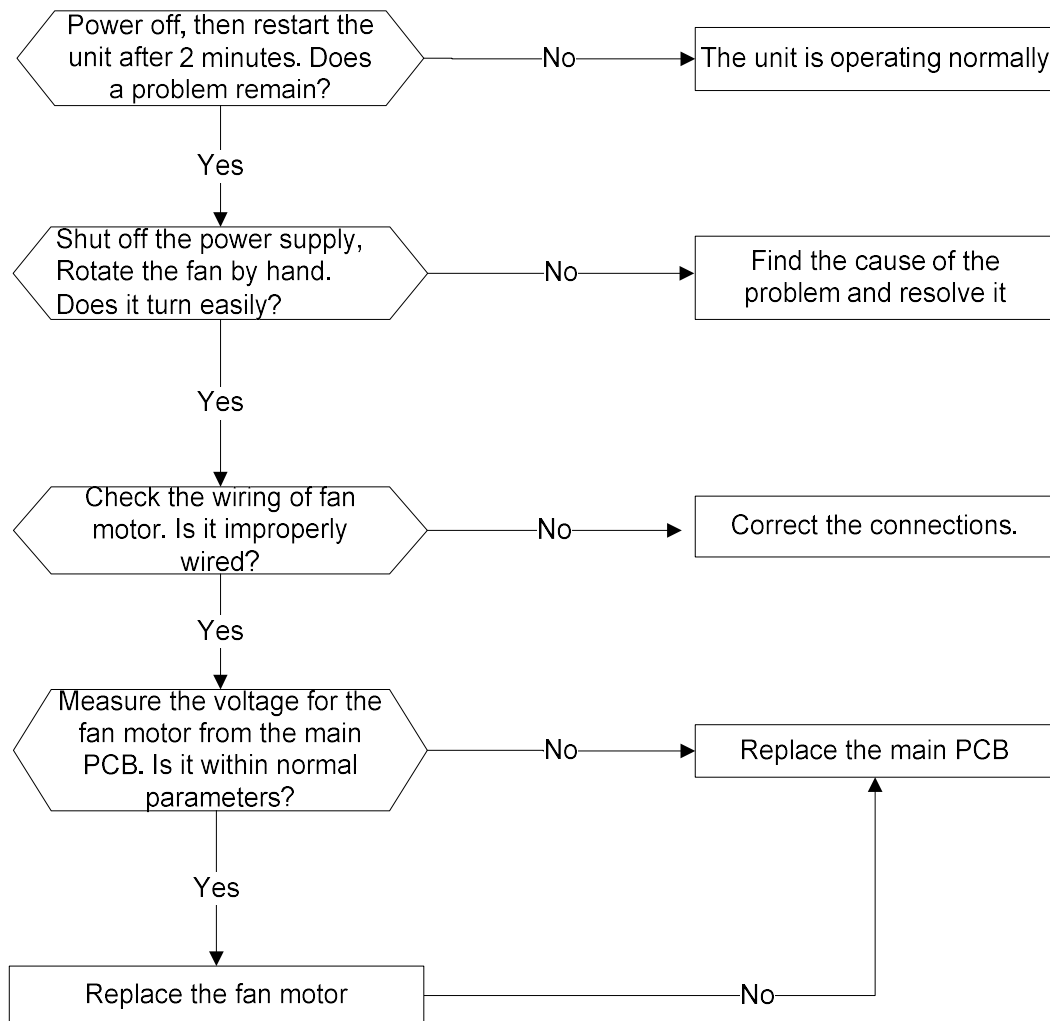
Malfunction conditions	Indoor unit does not receive feedback from outdoor unit for 60 seconds OR outdoor unit does not receive feedback from indoor unit for 120 seconds.
Possible causes	<ul style="list-style-type: none"> ● Wiring mistakes ● Faulty indoor or outdoor PCB



16.4.3 Fan speed malfunction diagnosis and solution (E3/F5)

Error Code	E3/F5
Malfunction conditions	When indoor fan speed is too low (300RPM) for a certain period of time, the unit ceases operation and the LED displays a failure code.
Potential Causes	<ul style="list-style-type: none"> ● Wiring mistake ● Faulty fan assembly ● Faulty fan motor ● Faulty PCB

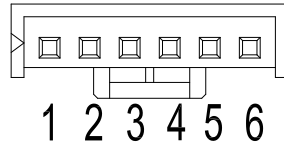
Trouble shooting:



Index 1:

1. Indoor or outdoor DC fan motor (Control Chip is in Fan Motor)

Turn power on and while the unit is on standby, measure the voltage between pin1 and pin3 as well as between pin4 and pin3 in fan motor connector. If the value of the voltage is not within the range shown in the following table, the PCB may be experiencing problems and need to be replaced.

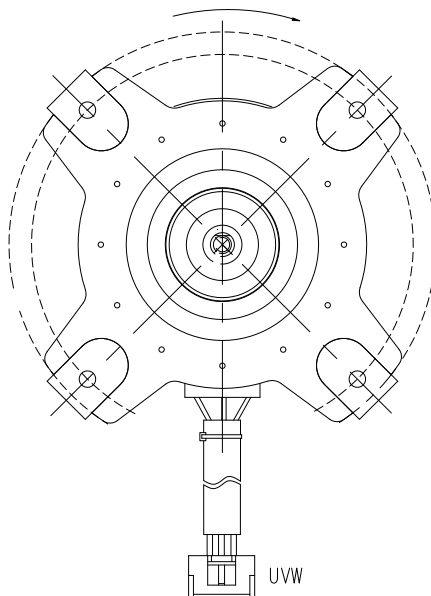


DC motor voltage input and output

NO.	Color	Signal	Voltage
1	Red	Vs/Vm	200~380V
2	---	---	---
3	Black	GND	0V
4	White	Vcc	13.5~16.5V
5	Yellow	Vsp	0~6.5V
6	Blue	FG	13.5~16.5V

2. Indoor or outdoor DC Fan Motor (control chip is in PCB)

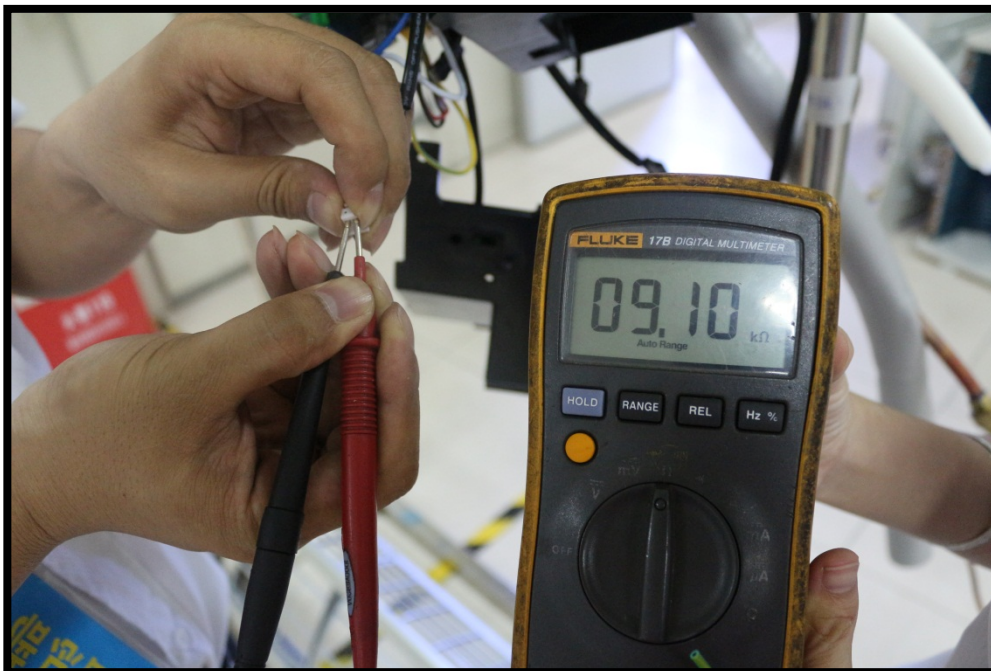
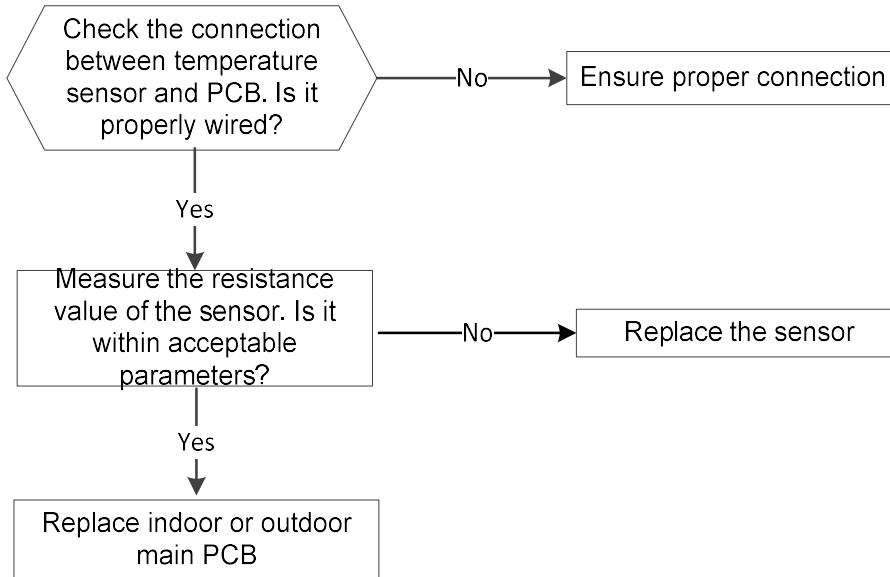
Release the UVW connector. Measure the resistance of U-V, U-W, and V-W. If the resistances are not equal to each other, the fan motor may be experiencing problems and need to be replaced. Otherwise, the PCB must has problems and need to be replaced.



16.4.4 Open or short circuit of temperature sensor diagnosis and solution (E4/E5/F1/F2/F3)

Error Code	E4/E5/F1/F2/F3
Malfunction conditions	If the sampling voltage is lower than 0.06V or higher than 4.94V, the LED displays a failure.
Potential causes	<ul style="list-style-type: none">● Wiring mistake● Faulty sensor

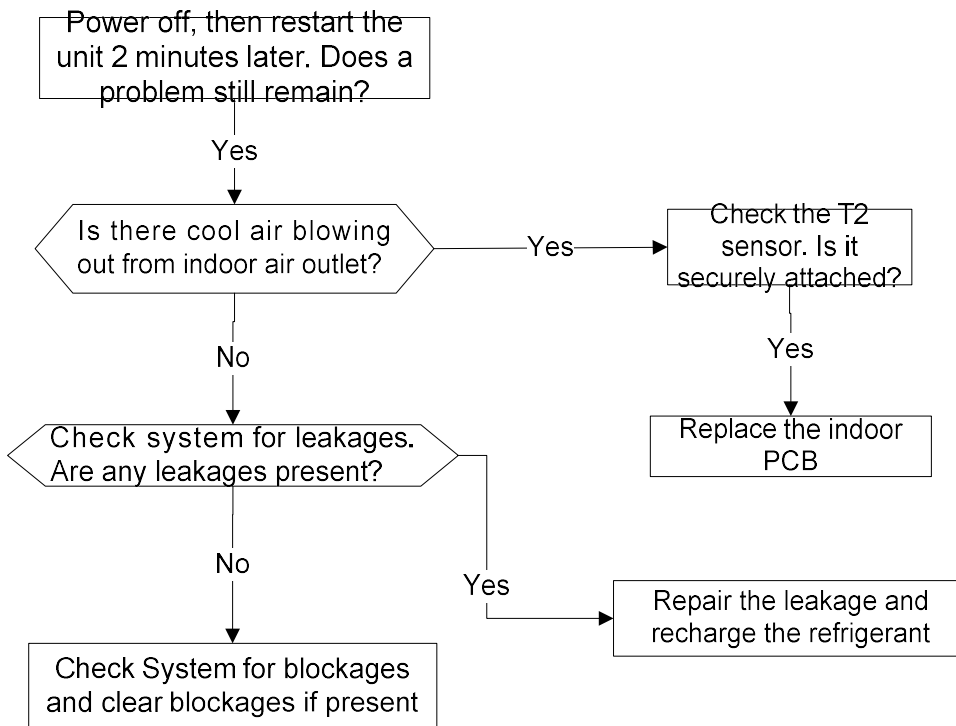
Trouble shooting:



16.4.5 Refrigerant Leakage Detection diagnosis and solution (EC)

Error Code	EC
Malfunction conditions	<p>Define the evaporator coil temperature T2 of the compressor starts running as Tcool.</p> <p>If the following occurs 3 times, the display shows "EC" and the unit switches off:</p> <p>In the first 8 minutes after the compressor starts up, if $T2 < T_{cool} - 2^{\circ}\text{C}$ is not maintained for 4 seconds and compressor</p>
Potential Causes	<ul style="list-style-type: none"> ● Faulty T2 sensor ● Faulty indoor PCB ● System problems, such as leakage or blockages

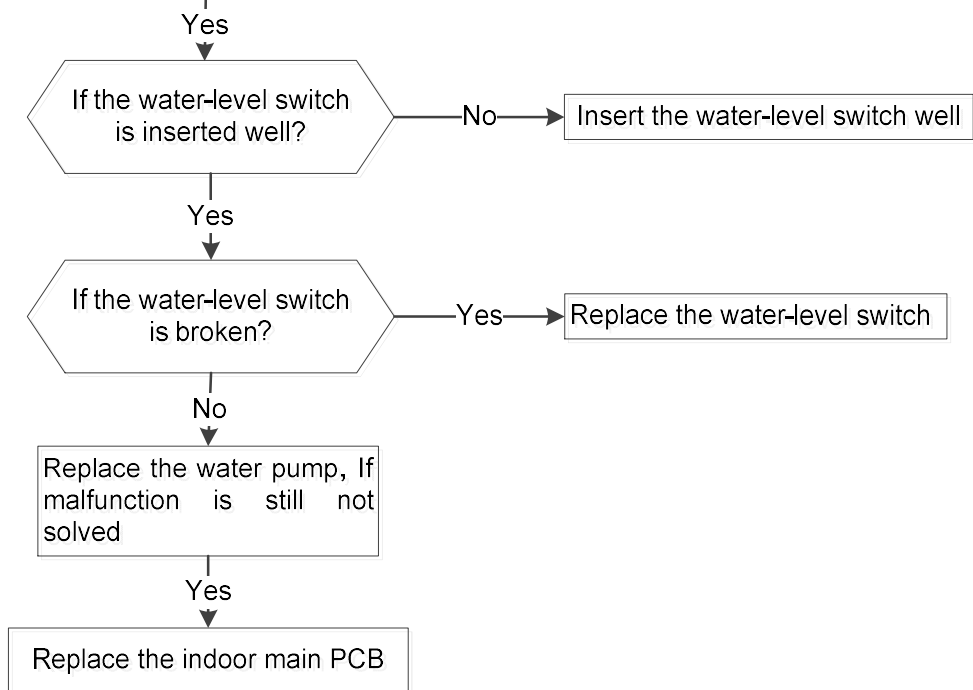
Trouble shooting:



16.4.6 Water-level alarm malfunction diagnosis and solution

Error Code	EE
Malfunction conditions	If the sampling voltage is not 5V, the LED will display the failure code.
Possible causes	<ul style="list-style-type: none"> ● Wiring mistakes ● Faulty water-level switch ● Faulty water pump ● Faulty indoor PCB

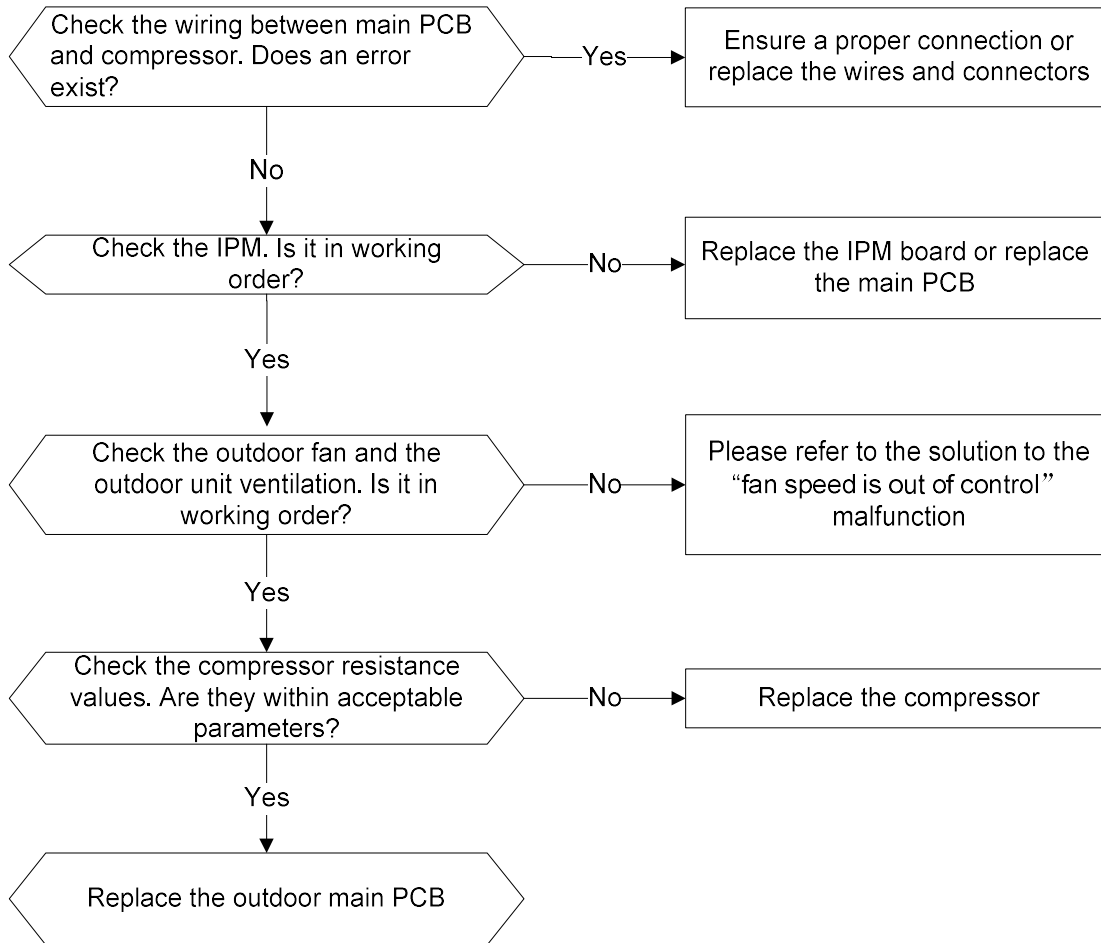
Power off, then restart the unit 3 minutes later. Is it still displaying the error code?

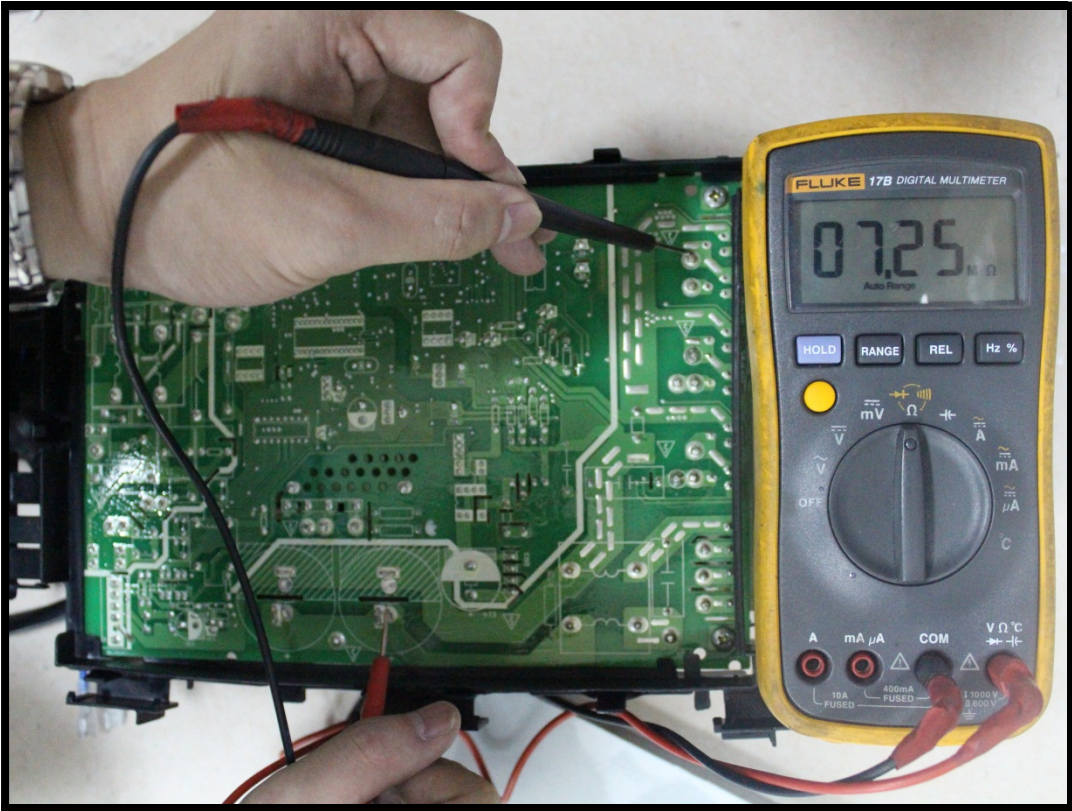


16.4.7 IPM malfunction or IGBT over-strong current protection diagnosis and solution (P0)

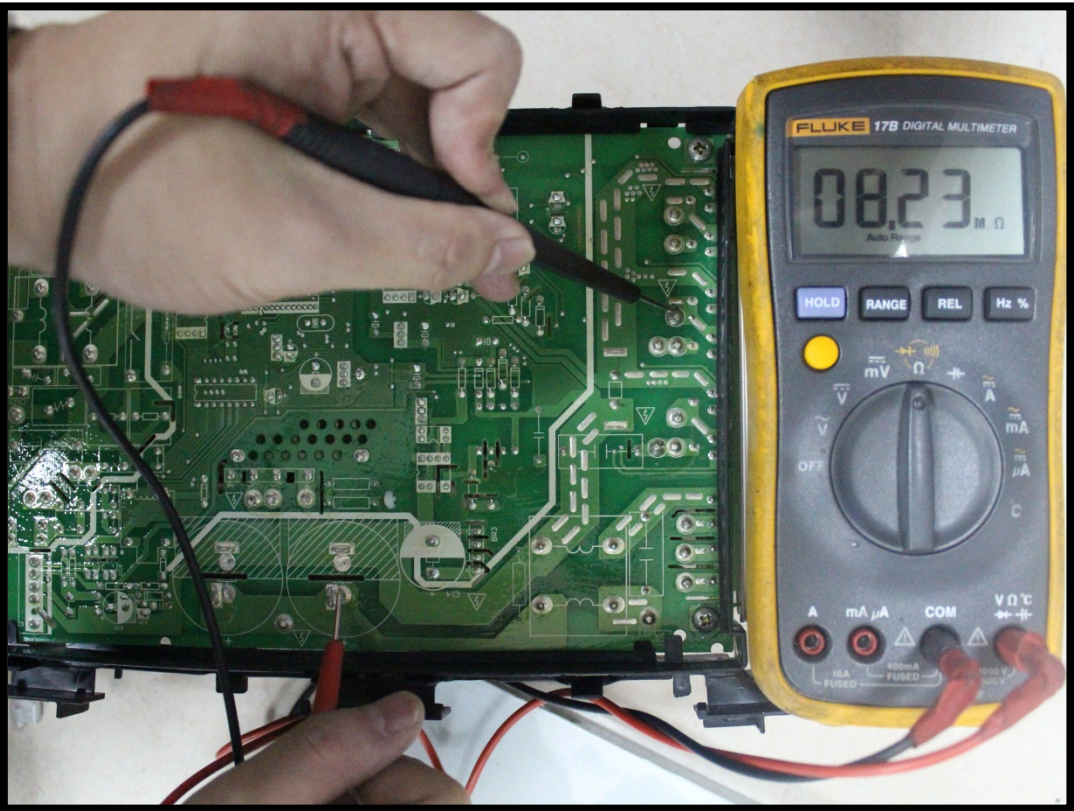
Error Code	P0
Malfunction conditions	When the voltage signal the IPM sends to the compressor drive chip is abnormal, the display LED shows “P0” and the AC turn
Possible causes	<ul style="list-style-type: none"> ● Wiring mistake ● IPM malfunction

Trouble shooting:

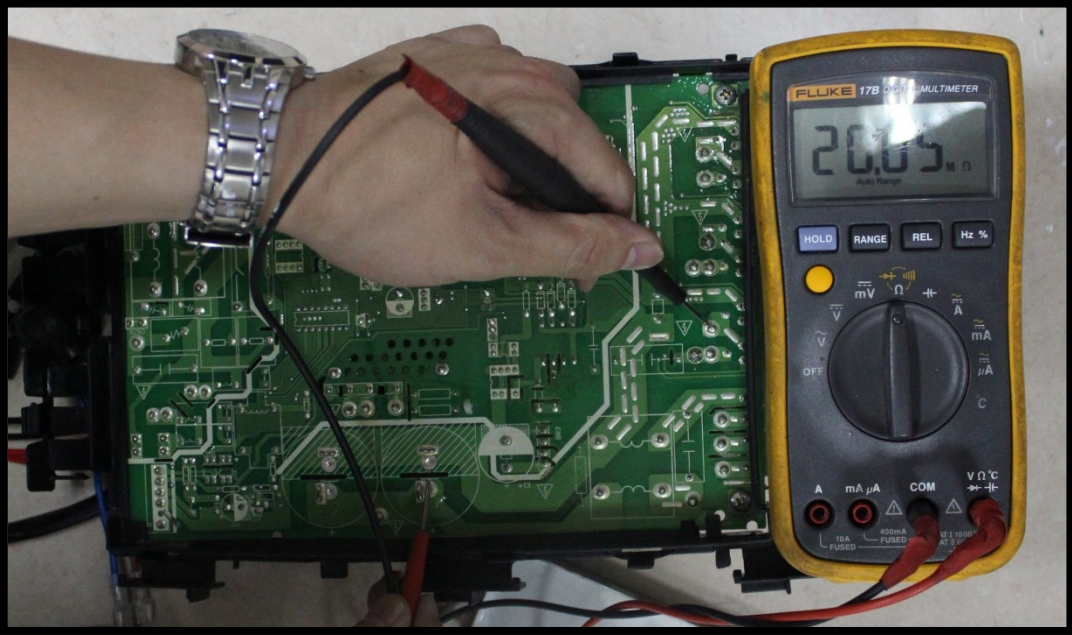




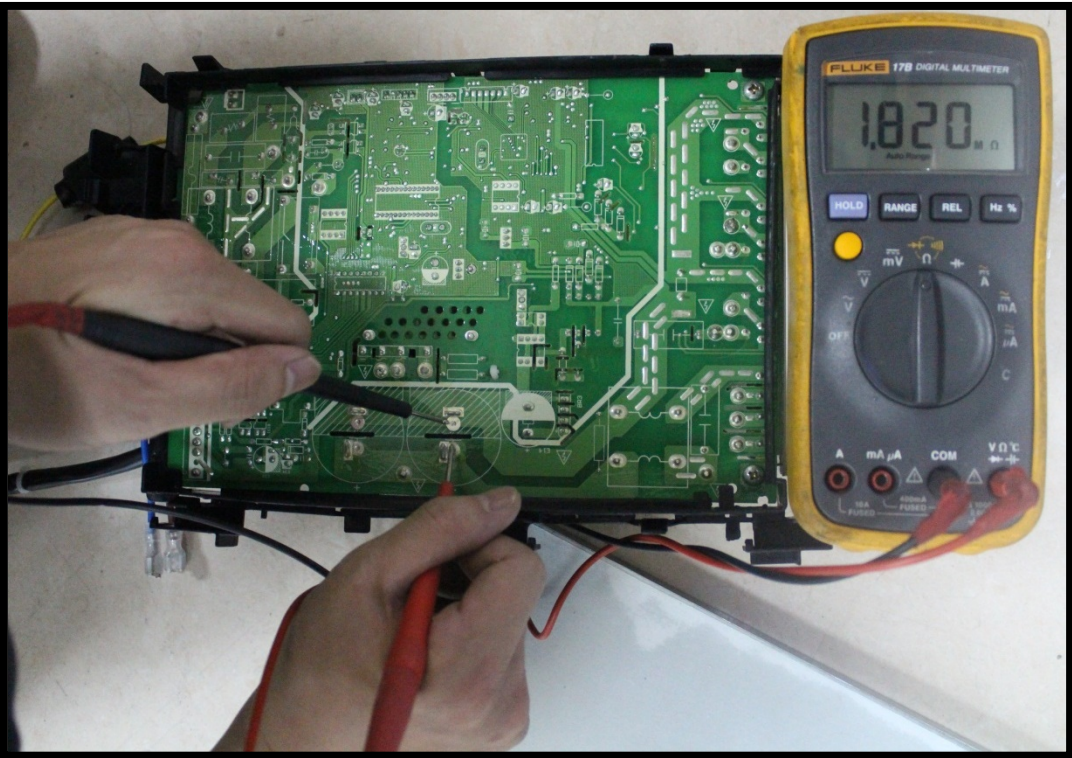
P-U



P-V



P-W

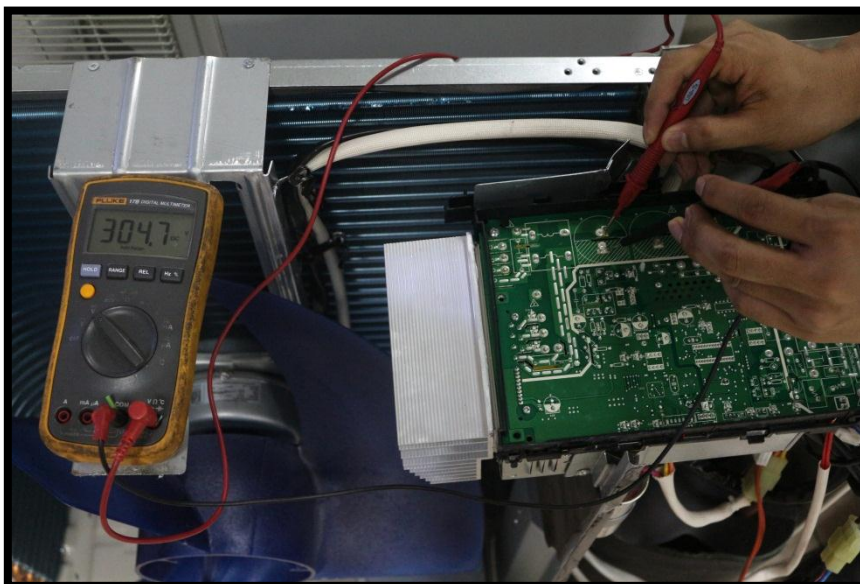
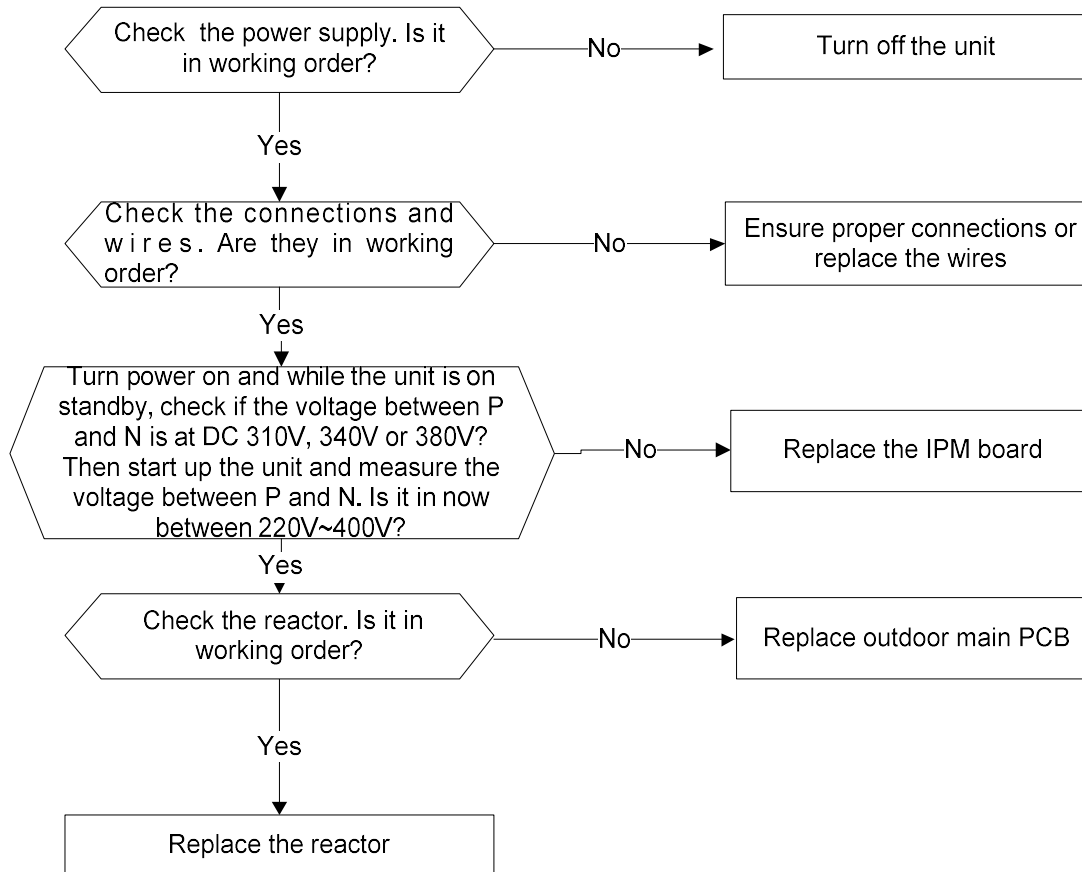


P-N

16.4.8 Over-voltage or under-voltage protection diagnosis and solution (P1)

Error Code	P1
Malfunction conditions	Abnormal increases or decreases in voltage are detected by checking the specified voltage detection circuit.
Potential causes	<ul style="list-style-type: none"> ● Power supply issues ● System leakage or blockage ● Faulty PCB

Trouble shooting:

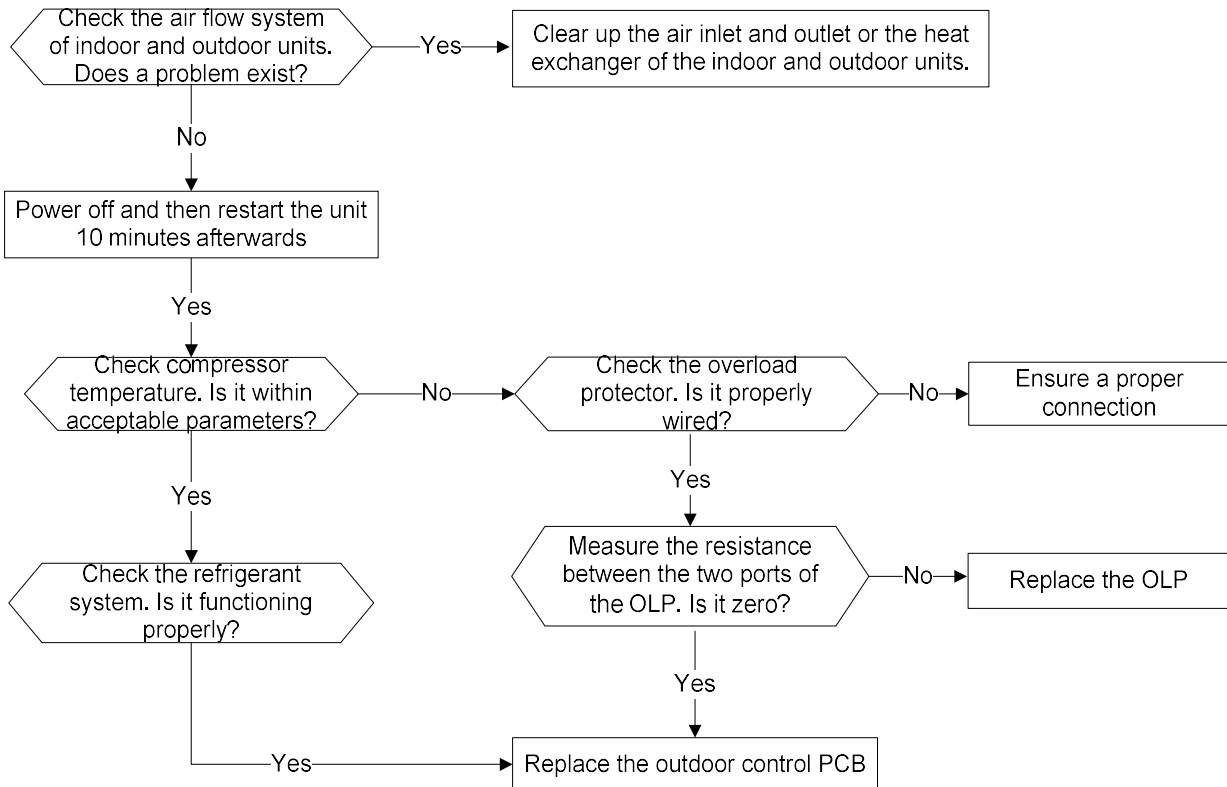


Remark:
 Measure the DC voltage between P and N port. The normal value should be around 310V.340V or 380V

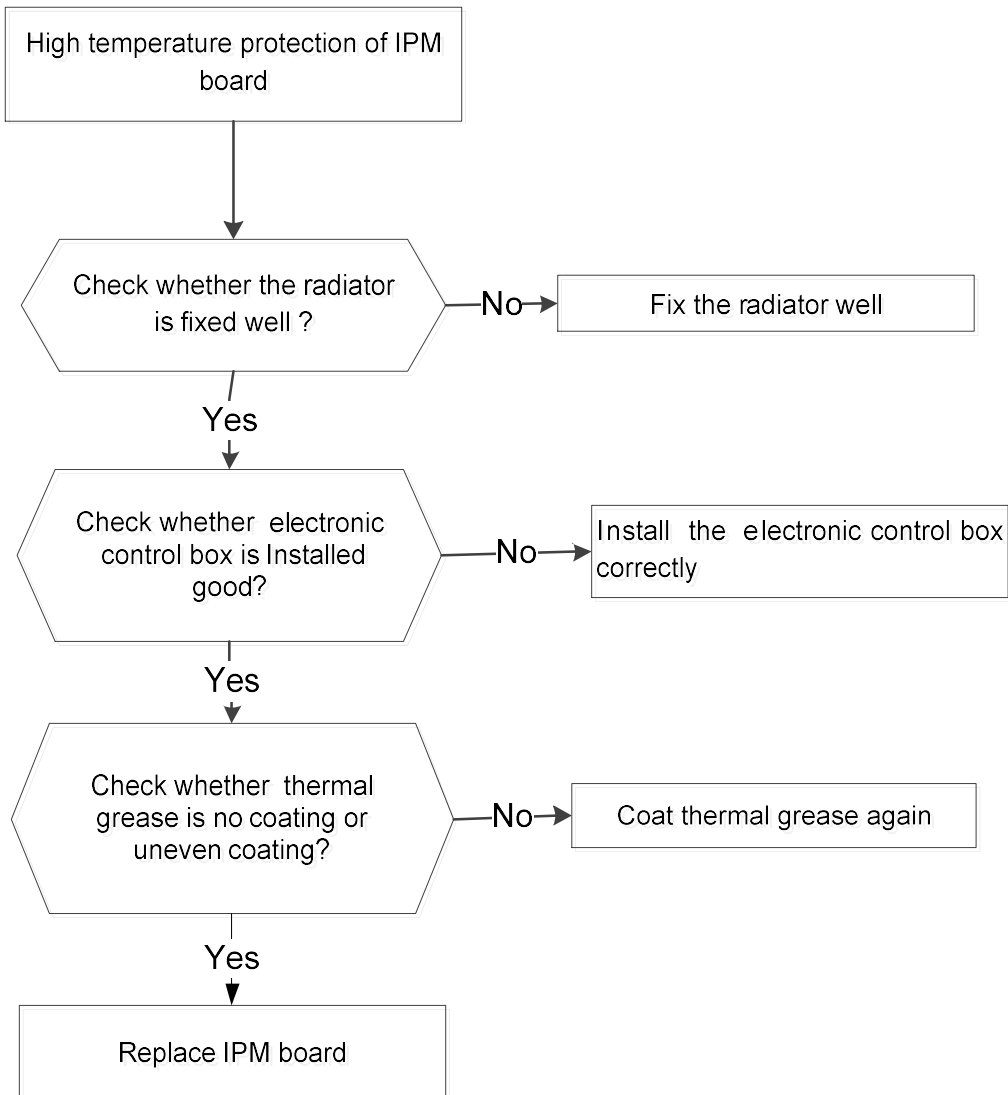
16.4.9 High temperature protection of compressor top diagnosis and solution (P2)

Error Code	P2
Malfunction decision conditions	If the sampling voltage is not 5V, the LED will display the failure.
Supposed causes	<ul style="list-style-type: none"> ● Power supply problems. ● System leakage or block ● PCB faulty

Trouble shooting:



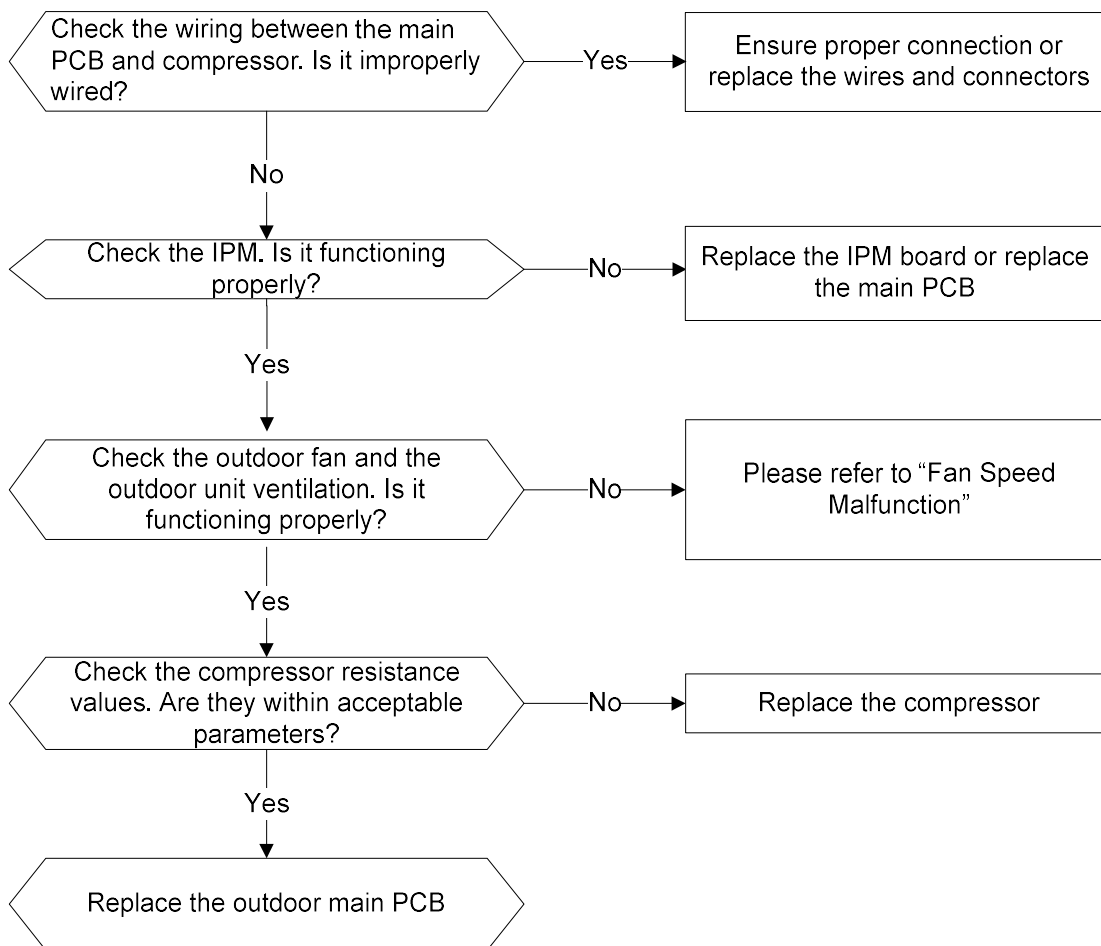
High temperature protection of IPM board diagnosis and solution (P2)



16.4.10 Inverter compressor drive error diagnosis and solution(P4)

Error Code	P4
Malfunction conditions	Abnormalities in the inverter compressor drive is detected by a special detection circuit, which can perform communication signal detection, voltage detection, and compressor rotation speed signal detection.
Potential causes	<ul style="list-style-type: none"> ● Wiring mistake ● IPM malfunction ● Faulty outdoor fan assembly ● Compressor malfunction ● Faulty outdoor PCB

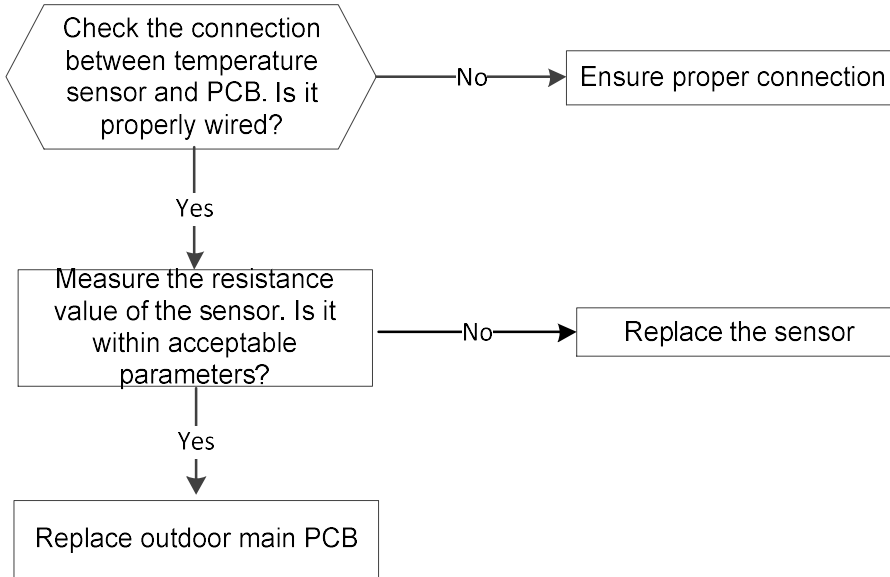
Trouble shooting:



16.4.11 Outdoor IPM module temperature sensor malfunction diagnosis and solution (P7)

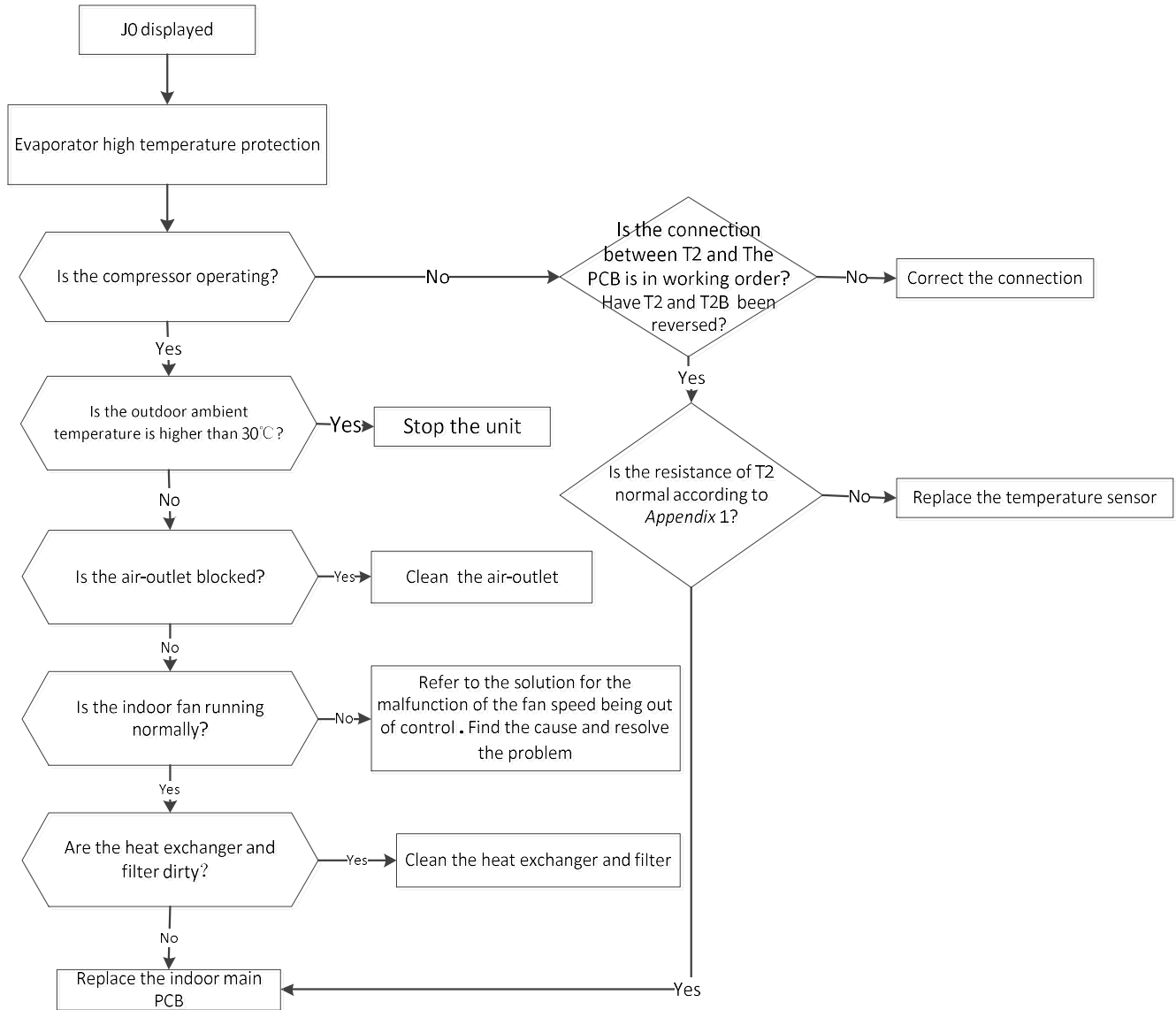
Error Code	P7
Malfunction conditions	If the sampling voltage is lower than 0.06V or higher than 4.94V, the LED displays a failure.
Potential causes	<ul style="list-style-type: none">● Wiring mistake● Faulty sensor

Trouble shooting:



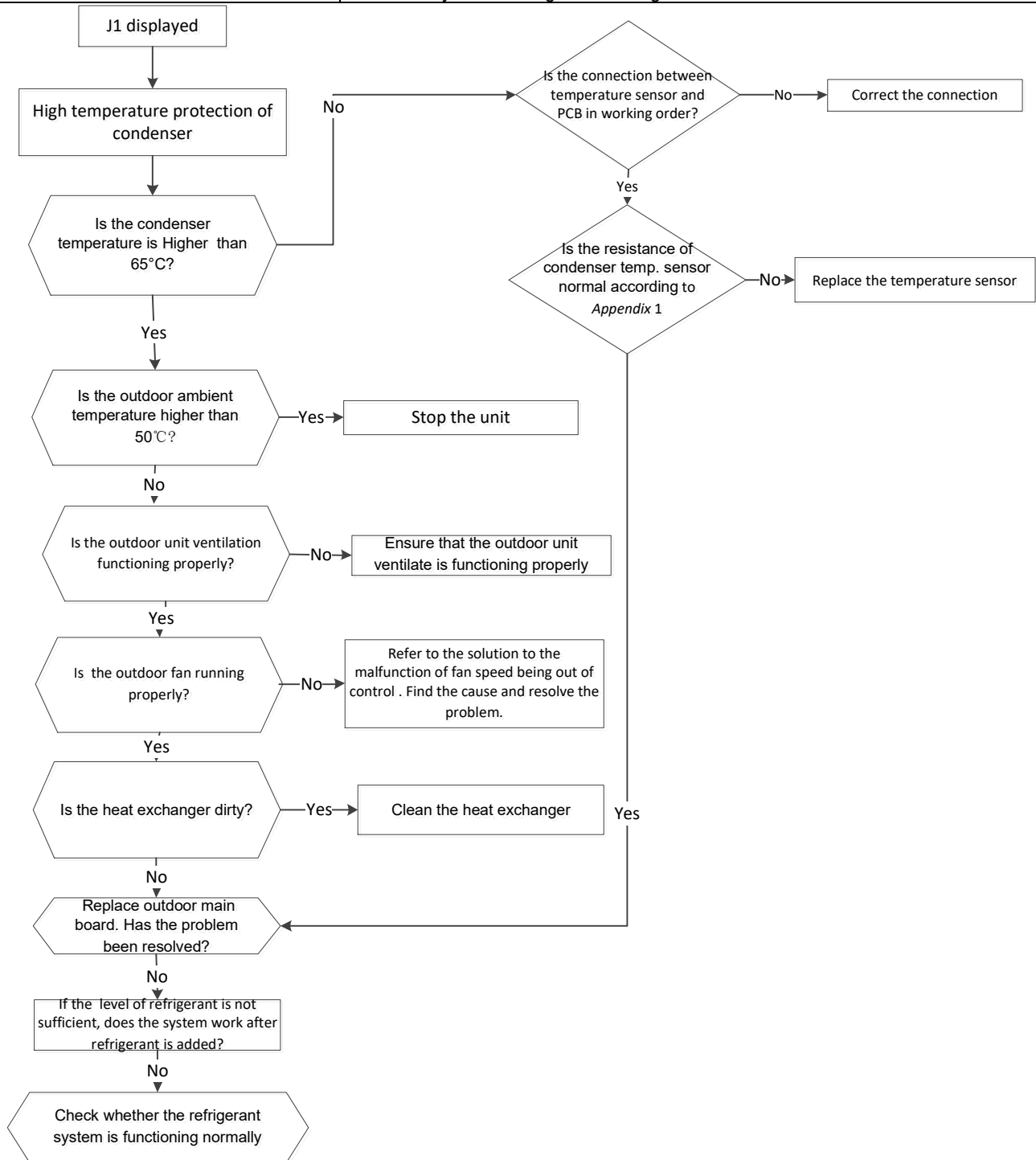
16.4.12. J0 Malfunction

Malfunction conditions	When evaporator coil temperature is more than 60°C, the unit stops. It starts again only when the evaporator coil temperature is less than 54°C
Possible causes	<ul style="list-style-type: none"> • Faulty evaporator coil temperature sensor • Dirty heat exchanger • Faulty fan • Faulty PCB



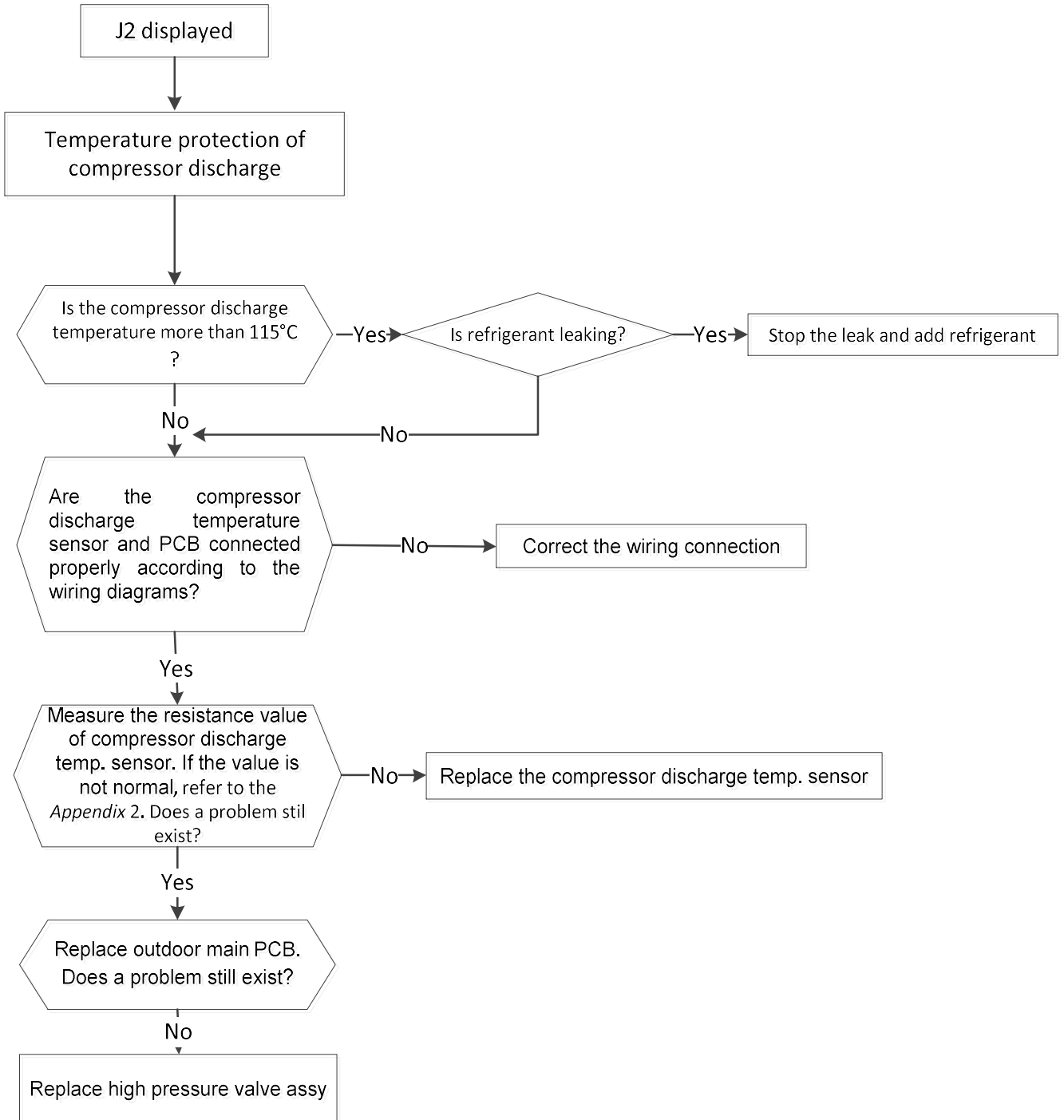
16.4.13. J1 Malfunction

Malfunction conditions	When the outdoor pipe temperature is more than 65°C, the unit stops. It starts again only when the outdoor pipe temperature is less than 52°C.
Possible causes	<ul style="list-style-type: none"> ● Faulty condenser temperature sensor ● Dirty heat exchanger ● System leakage or blockages



16.4.14. J2 Malfunction

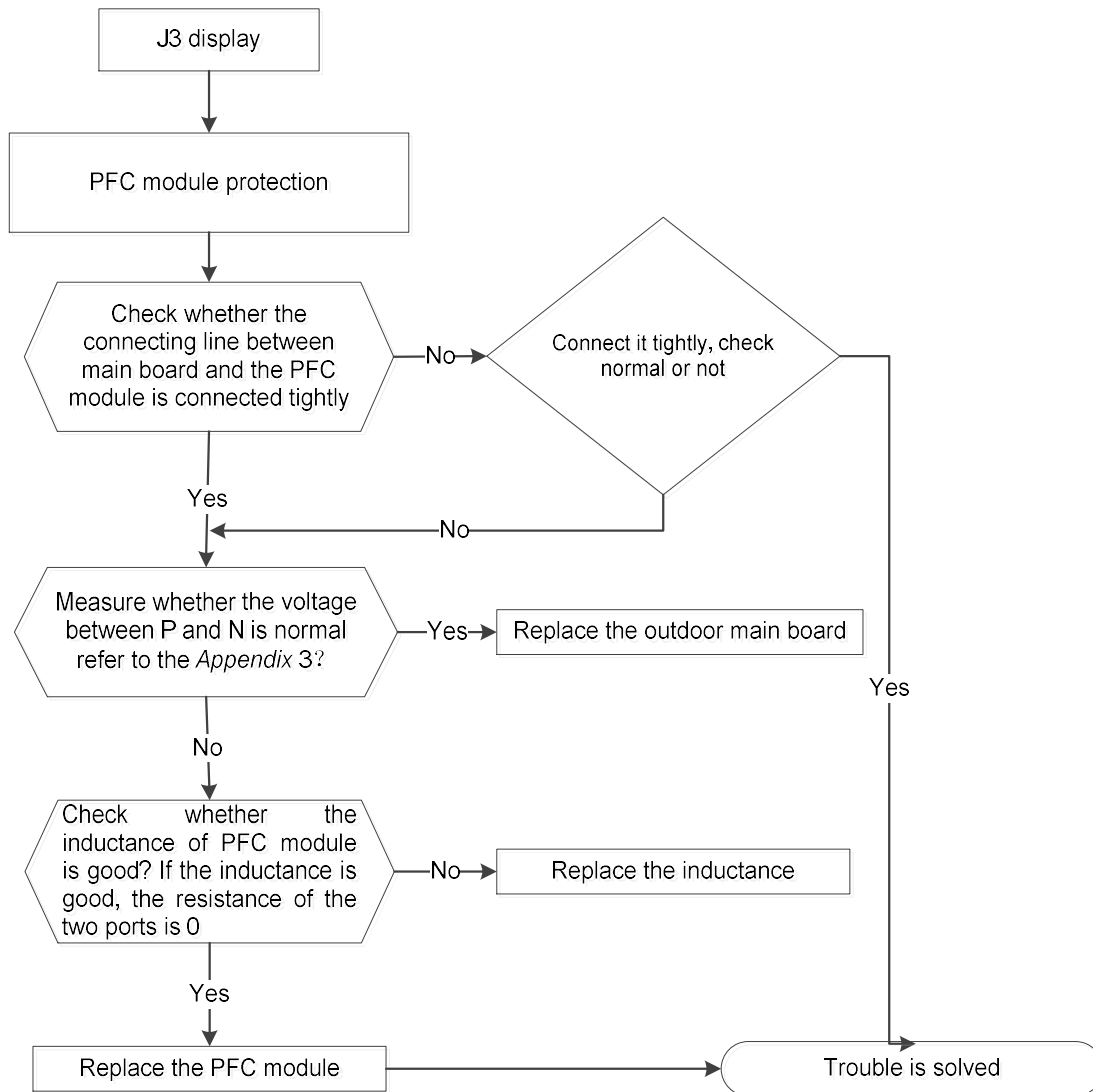
Malfunction conditions	When the compressor discharge temperature (T5) is more than 115°C for 10 seconds, the compressor will stop and not restart until T5 is less than 90°C.
Possible causes	<ul style="list-style-type: none"> ● Refrigerant leakage ● Wiring mistake ● Faulty discharge temperature sensor ● Faulty outdoor PCB



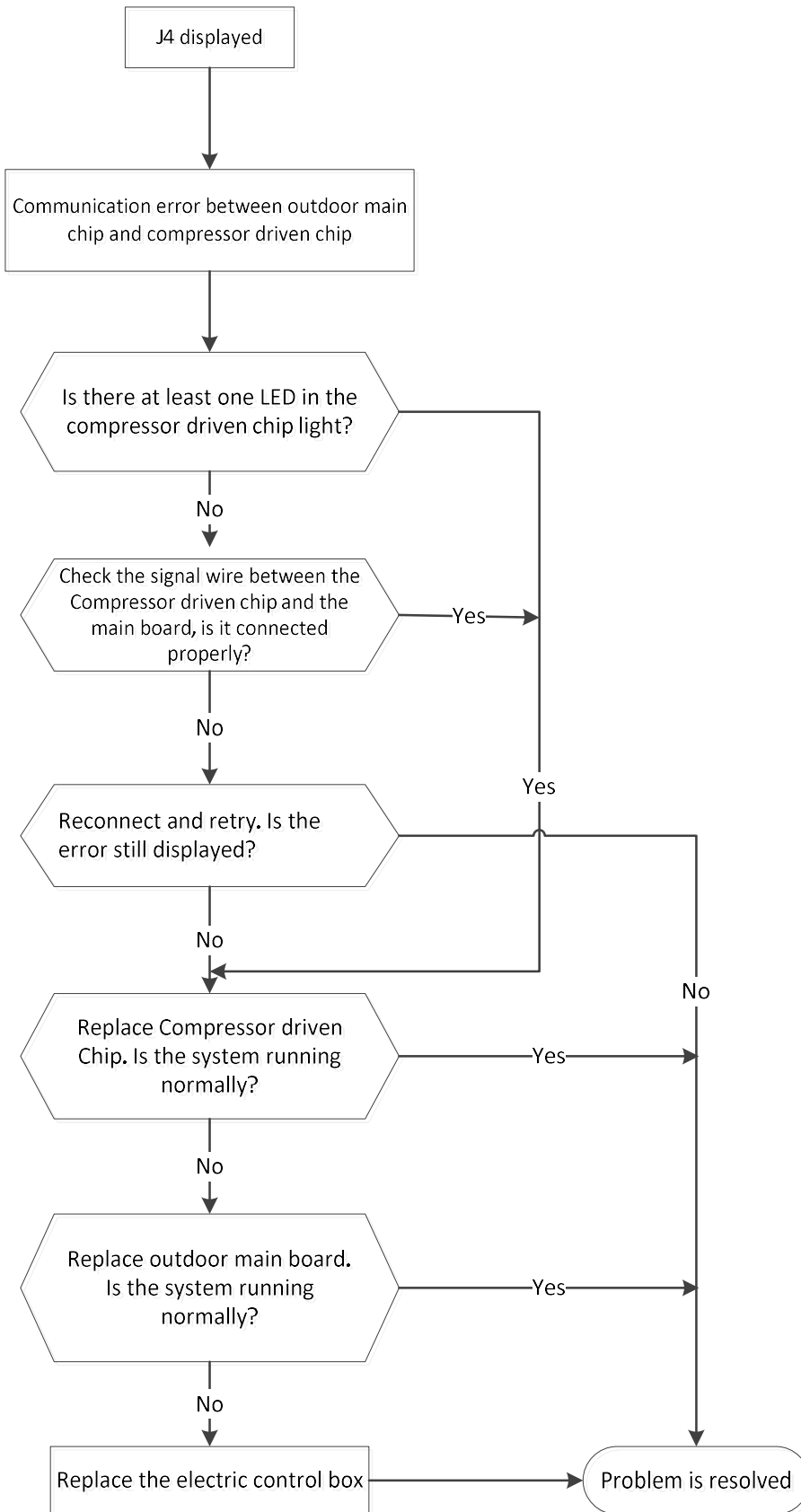
16.4.15. J3 Malfunction

Malfunction decision conditions	When the voltage signal that IPM send to compressor drive chip is abnormal, the display LED will show "J3" and AC will turn off.
Supposed causes	<ul style="list-style-type: none"> ● Wiring mistake ● Faulty IPM board ● Faulty outdoor fan ass'y ● Compressor malfunction ● Faulty outdoor PCB

At first test the resistance between every two ports of U, V, W of IPM and P, N. If any result of them is 0 or close to 0, the IPM is defective. Otherwise, please follow the procedure below:

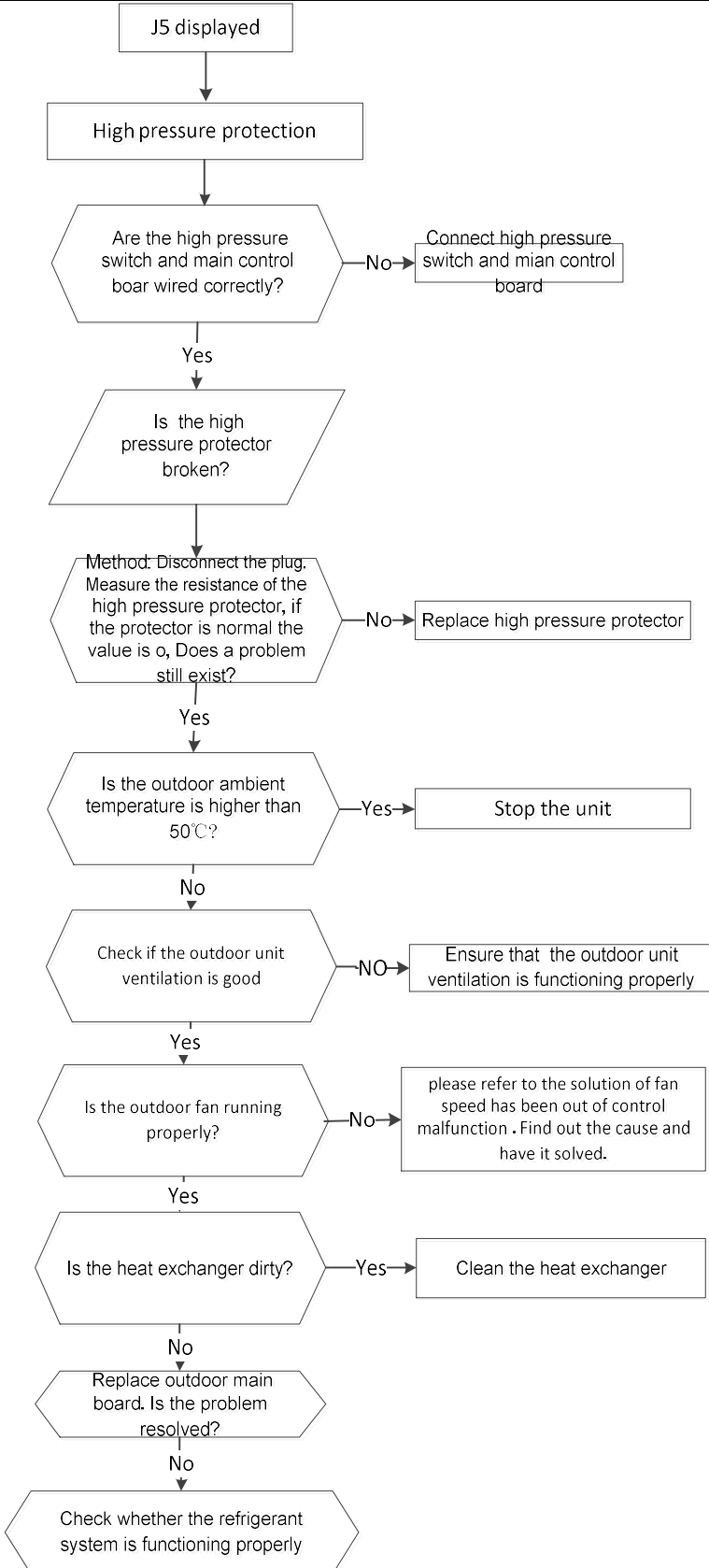


16.4.16. J4 Malfunction



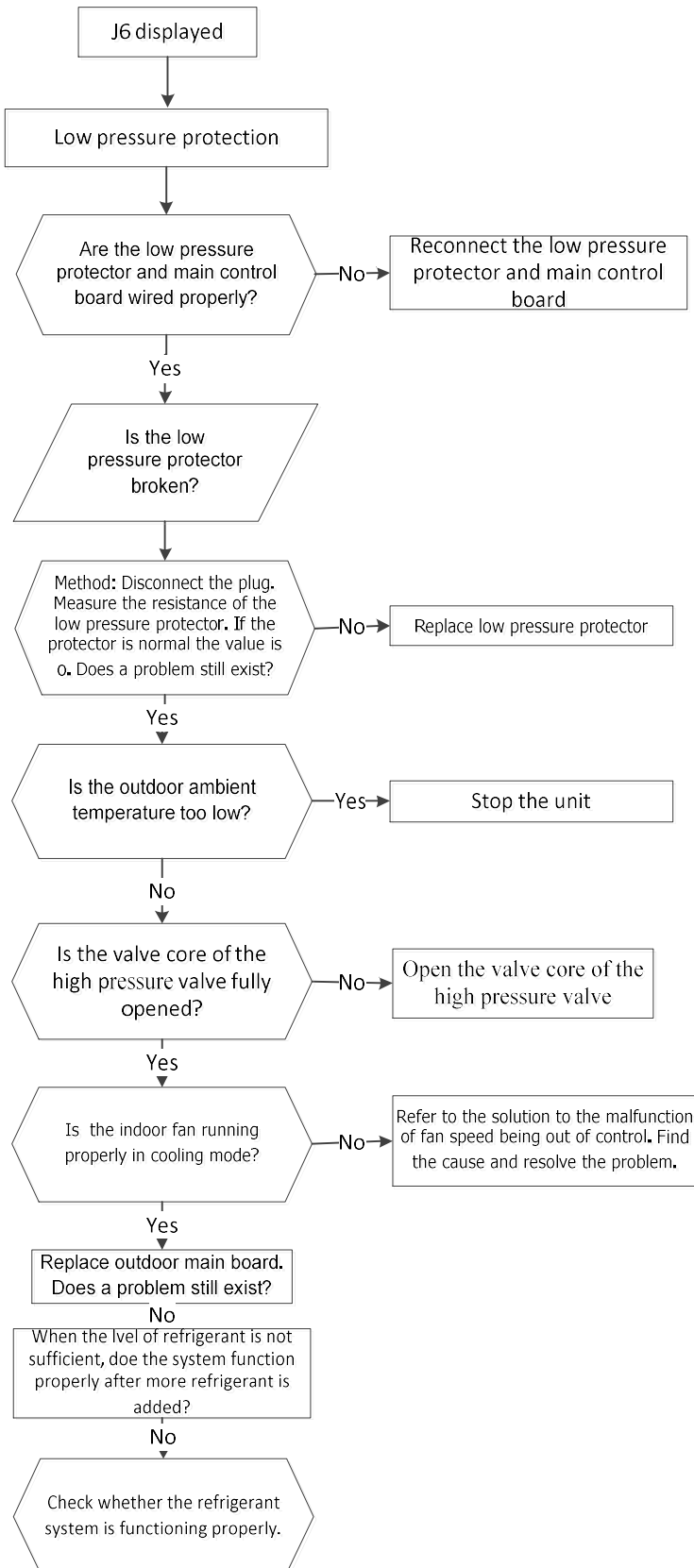
16.4.17. J5 Malfunction

Malfunction conditions	If the sampling voltage is not 5V, the LED displays a failure code.
Possible causes	<ul style="list-style-type: none"> ● Wiring mistakes ● Faulty overload protector ● System blockages ● Faulty outdoor PCB



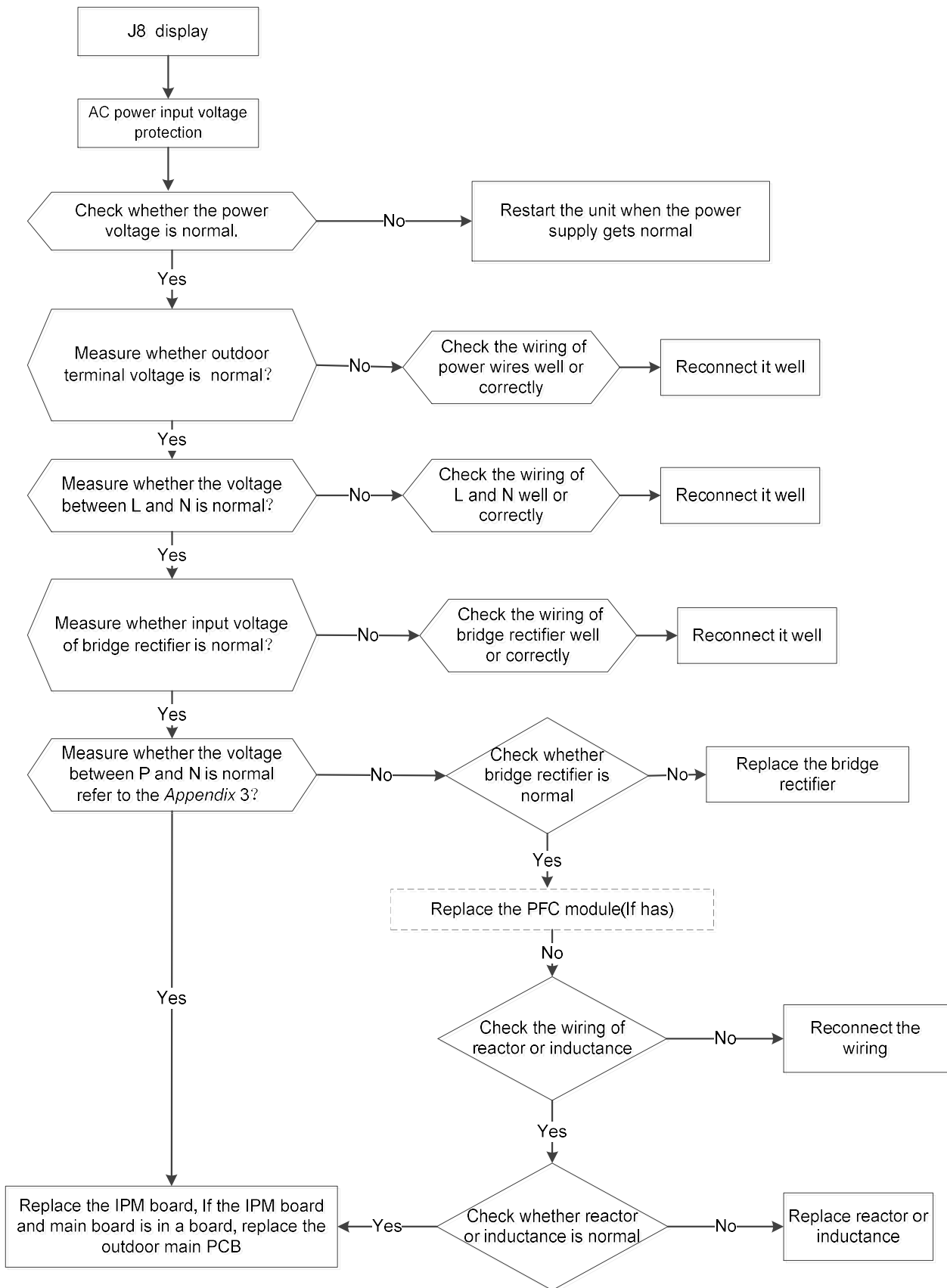
16.4.18. J6/P6 Malfunction

Malfunction conditions	If the sampling voltage is not 5V, the LED displays a failure code.
Possible causes	<ul style="list-style-type: none"> ● Wiring mistake ● Faulty over load protector ● System blockages ● Faulty outdoor PCB



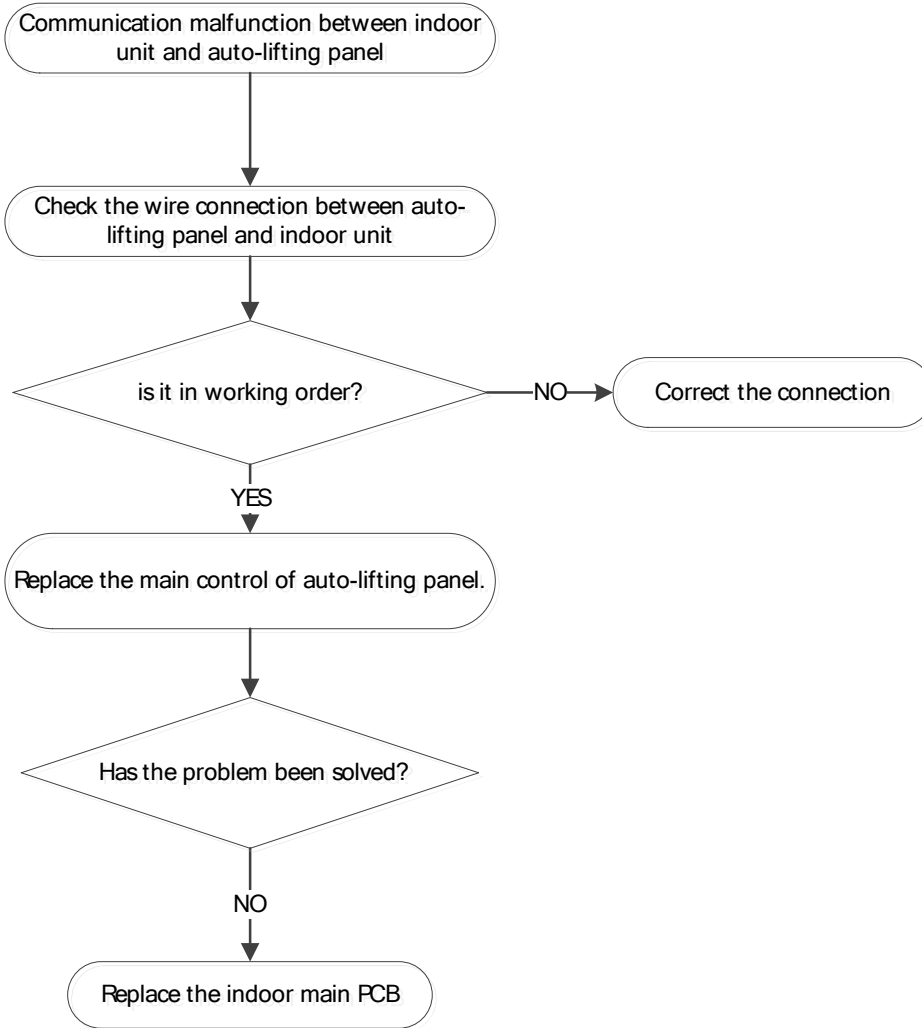
16.4.19. J8 malfunction

Malfunction conditions	decision	An abnormal voltage rise or drop is detected by checking the specified voltage detection circuit.
Supposed causes		<ul style="list-style-type: none">● Abnormal power supply● Wiring mistake● Faulty bridge rectifier● Faulty IPM board



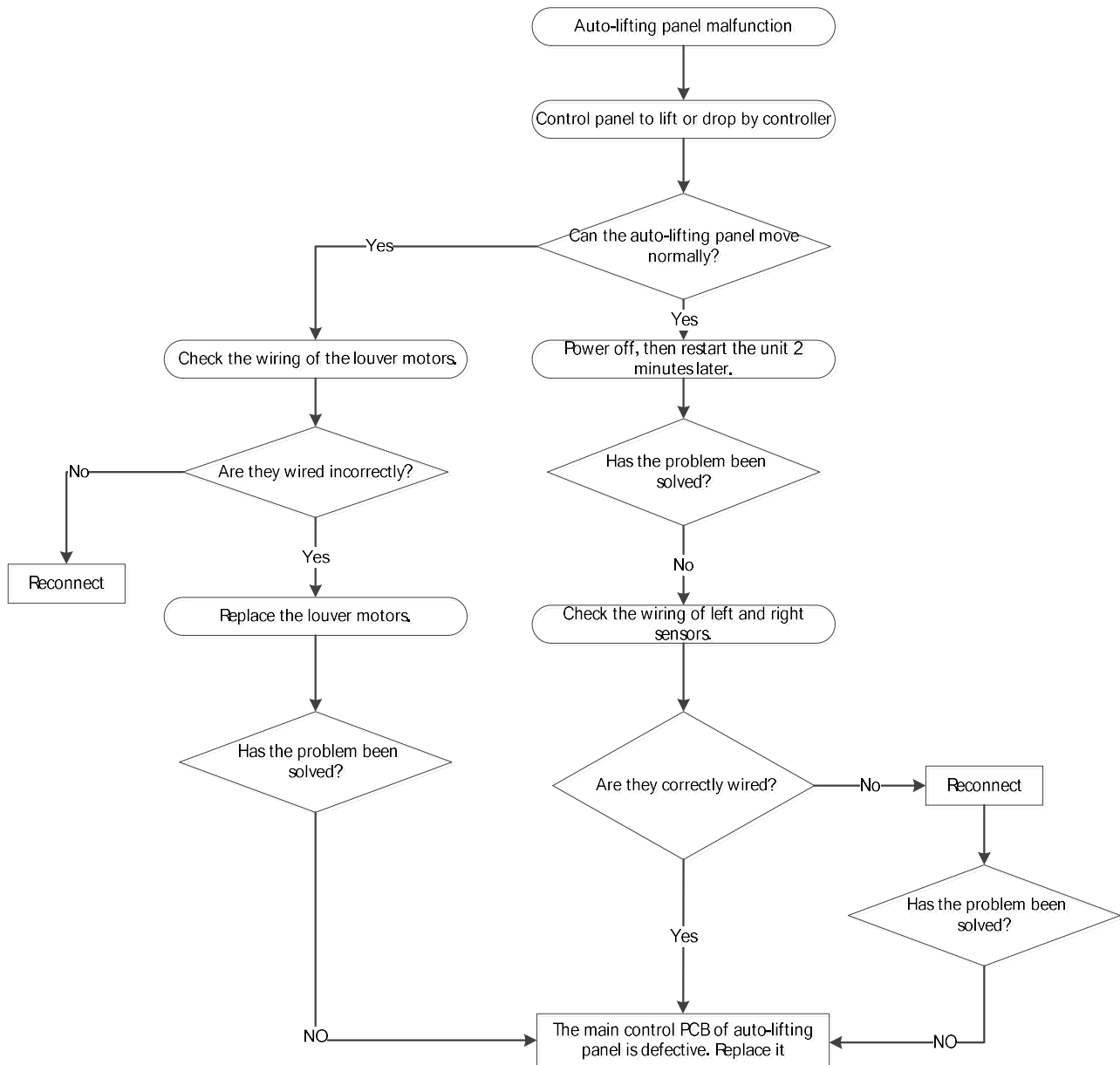
16.4.20 Communication Malfunction between Indoor Unit and auto-lifting Panel (F7)

Malfunction decision conditions	Indoor PCB does not get the feedback from the PCB of auto lifting-panel
Possible causes	<ul style="list-style-type: none"> ● Wiring mistake between indoor PCB and auto-lifting panel ● Faulty PCB of auto-lifting panel ● Faulty indoor PCB



16.4.21 Auto-lifting panel malfunction(F8)

Malfunction decision conditions	Indoor PCB does not get the right close position from the PCB of auto lifting-panel when the panel motor stops
Possible causes	<ul style="list-style-type: none"> ● Wiring mistake between indoor PCB and auto-lifting panel ● Faulty PCB of auto-lifting panel ● Faulty indoor PCB



16.4.22 Overcurrent Protection (F0)

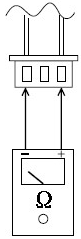
Malfunction decision conditions	If the outdoor current exceeds the current limit value, the LED displays a failure code.
Possible causes	<ul style="list-style-type: none">● Wiring mistakes● Faulty bridge rectifier● System blockages● Faulty outdoor PCB



16.5 Main parts check

1. Temperature sensor checking

Disconnect the temperature sensor from PCB, measure the resistance value with a tester.



Tester

Temperature Sensors.

Room temp.(T1) sensor,

Indoor coil temp.(T2) sensor,

Outdoor coil temp.(T3) sensor,

Outdoor ambient temp.(T4) sensor,

Compressor discharge temp.(T5) sensor.

Measure the resistance value of each winding by using the multi-meter.

Appendix 1 Temperature Sensor Resistance Value Table for T1,T2,T3,T4 (°C--K)

°C	°F	K Ohm	°C	°F	K Ohm	°C	°F	K Ohm	°C	°F	K Ohm
-20	-4	115.266	20	68	12.6431	60	140	2.35774	100	212	0.62973
-19	-2	108.146	21	70	12.0561	61	142	2.27249	101	214	0.61148
-18	0	101.517	22	72	11.5	62	144	2.19073	102	216	0.59386
-17	1	96.3423	23	73	10.9731	63	145	2.11241	103	217	0.57683
-16	3	89.5865	24	75	10.4736	64	147	2.03732	104	219	0.56038
-15	5	84.219	25	77	10	65	149	1.96532	105	221	0.54448
-14	7	79.311	26	79	9.55074	66	151	1.89627	106	223	0.52912
-13	9	74.536	27	81	9.12445	67	153	1.83003	107	225	0.51426
-12	10	70.1698	28	82	8.71983	68	154	1.76647	108	226	0.49989
-11	12	66.0898	29	84	8.33566	69	156	1.70547	109	228	0.486
-10	14	62.2756	30	86	7.97078	70	158	1.64691	110	230	0.47256
-9	16	58.7079	31	88	7.62411	71	160	1.59068	111	232	0.45957
-8	18	56.3694	32	90	7.29464	72	162	1.53668	112	234	0.44699
-7	19	52.2438	33	91	6.98142	73	163	1.48481	113	235	0.43482
-6	21	49.3161	34	93	6.68355	74	165	1.43498	114	237	0.42304
-5	23	46.5725	35	95	6.40021	75	167	1.38703	115	239	0.41164
-4	25	44	36	97	6.13059	76	169	1.34105	116	241	0.4006
-3	27	41.5878	37	99	5.87359	77	171	1.29078	117	243	0.38991
-2	28	39.8239	38	100	5.62961	78	172	1.25423	118	244	0.37956
-1	30	37.1988	39	102	5.39689	79	174	1.2133	119	246	0.36954
0	32	35.2024	40	104	5.17519	80	176	1.17393	120	248	0.35982
1	34	33.3269	41	106	4.96392	81	178	1.13604	121	250	0.35042
2	36	31.5635	42	108	4.76253	82	180	1.09958	122	252	0.3413
3	37	29.9058	43	109	4.5705	83	181	1.06448	123	253	0.33246
4	39	28.3459	44	111	4.38736	84	183	1.03069	124	255	0.3239
5	41	26.8778	45	113	4.21263	85	185	0.99815	125	257	0.31559
6	43	25.4954	46	115	4.04589	86	187	0.96681	126	259	0.30754
7	45	24.1932	47	117	3.88673	87	189	0.93662	127	261	0.29974
8	46	22.5662	48	118	3.73476	88	190	0.90753	128	262	0.29216
9	48	21.8094	49	120	3.58962	89	192	0.8795	129	264	0.28482
10	50	20.7184	50	122	3.45097	90	194	0.85248	130	266	0.2777
11	52	19.6891	51	124	3.31847	91	196	0.82643	131	268	0.27078
12	54	18.7177	52	126	3.19183	92	198	0.80132	132	270	0.26408
13	55	17.8005	53	127	3.07075	93	199	0.77709	133	271	0.25757
14	57	16.9341	54	129	2.95896	94	201	0.75373	134	273	0.25125
15	59	16.1156	55	131	2.84421	95	203	0.73119	135	275	0.24512
16	61	15.3418	56	133	2.73823	96	205	0.70944	136	277	0.23916
17	63	14.6181	57	135	2.63682	97	207	0.68844	137	279	0.23338
18	64	13.918	58	136	2.53973	98	208	0.66818	138	280	0.22776
19	66	13.2631	59	138	2.44677	99	210	0.64862	139	282	0.22231

Appendix 2 Temperature Sensor Resistance Value Table for T5,TH (°C--K)

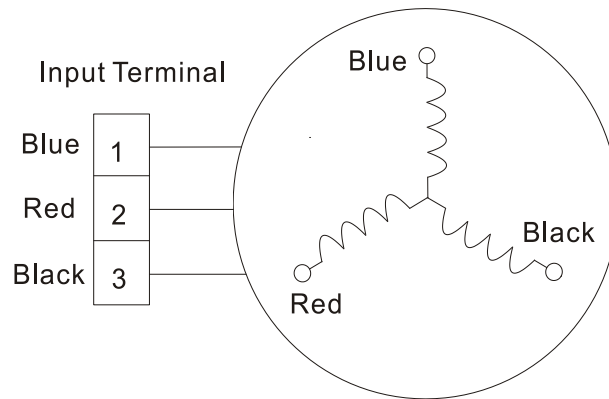
°C	°F	K Ohm	°C	°F	K Ohm	°C	°F	K Ohm	°C	°F	K Ohm
-20	-4	542.7	20	68	68.66	60	140	13.59	100	212	3.702
-19	-2	511.9	21	70	65.62	61	142	13.11	101	214	3.595
-18	0	483	22	72	62.73	62	144	12.65	102	216	3.492
-17	1	455.9	23	73	59.98	63	145	12.21	103	217	3.392
-16	3	430.5	24	75	57.37	64	147	11.79	104	219	3.296
-15	5	406.7	25	77	54.89	65	149	11.38	105	221	3.203
-14	7	384.3	26	79	52.53	66	151	10.99	106	223	3.113
-13	9	363.3	27	81	50.28	67	153	10.61	107	225	3.025
-12	10	343.6	28	82	48.14	68	154	10.25	108	226	2.941
-11	12	325.1	29	84	46.11	69	156	9.902	109	228	2.86
-10	14	307.7	30	86	44.17	70	158	9.569	110	230	2.781
-9	16	291.3	31	88	42.33	71	160	9.248	111	232	2.704
-8	18	275.9	32	90	40.57	72	162	8.94	112	234	2.63
-7	19	261.4	33	91	38.89	73	163	8.643	113	235	2.559
-6	21	247.8	34	93	37.3	74	165	8.358	114	237	2.489
-5	23	234.9	35	95	35.78	75	167	8.084	115	239	2.422
-4	25	222.8	36	97	34.32	76	169	7.82	116	241	2.357
-3	27	211.4	37	99	32.94	77	171	7.566	117	243	2.294
-2	28	200.7	38	100	31.62	78	172	7.321	118	244	2.233
-1	30	190.5	39	102	30.36	79	174	7.086	119	246	2.174
0	32	180.9	40	104	29.15	80	176	6.859	120	248	2.117
1	34	171.9	41	106	28	81	178	6.641	121	250	2.061
2	36	163.3	42	108	26.9	82	180	6.43	122	252	2.007
3	37	155.2	43	109	25.86	83	181	6.228	123	253	1.955
4	39	147.6	44	111	24.85	84	183	6.033	124	255	1.905
5	41	140.4	45	113	23.89	85	185	5.844	125	257	1.856
6	43	133.5	46	115	22.89	86	187	5.663	126	259	1.808
7	45	127.1	47	117	22.1	87	189	5.488	127	261	1.762
8	46	121	48	118	21.26	88	190	5.32	128	262	1.717
9	48	115.2	49	120	20.46	89	192	5.157	129	264	1.674
10	50	109.8	50	122	19.69	90	194	5	130	266	1.632
11	52	104.6	51	124	18.96	91	196	4.849			
12	54	99.69	52	126	18.26	92	198	4.703			
13	55	95.05	53	127	17.58	93	199	4.562			
14	57	90.66	54	129	16.94	94	201	4.426			
15	59	86.49	55	131	16.32	95	203	4.294			
16	61	82.54	56	133	15.73	96	205	4.167			
17	63	78.79	57	135	15.16	97	207	4.045			
18	64	75.24	58	136	14.62	98	208	3.927			
19	66	71.86	59	138	14.09	99	210	3.812			

Appendix 3:

°C	10	11	12	13	14	15	16	17	18	19	20	21	22
°F	48	50	52	54	56	58	60	62	64	66	68	70	72
°C	23	24	25	26	27	28	29	30	31	32	33	34	35
°F	74	76	78	80	82	84	86	88	90	92	94	96	98

2. Compressor checking

Measure the resistance value of each winding by using the tester.



Position	Resistance Value						
	ASN98D22UFZ	ASM135D23UFZ	ATF235D22UMT	ATF250D22UMT	ATF310D43UMT	ATQ420D1UMU	ATM115D43UFZ2
Blue - Red	1.57Ω	1.75 Ω	0.75 Ω	0.75 Ω	0.65 Ω	0.38Ω	1.87Ω
Blue - Black							
Red - Blue							



3. IPM continuity check

Turn off the power, let the large capacity electrolytic capacitors discharge completely, and dismount the IPM. Use a digital tester to measure the resistance between P and UVWN; UVW and N.

Digital tester		Normal resistance value	Digital tester		Normal resistance value
(+)Red	(-)Black		(+)Red	(-)Black	
P	N	∞ (Several MΩ)	U	N	∞ (Several MΩ)
	U				
	V				
	W				
			(+)Red		

4: Pressure on Service Port

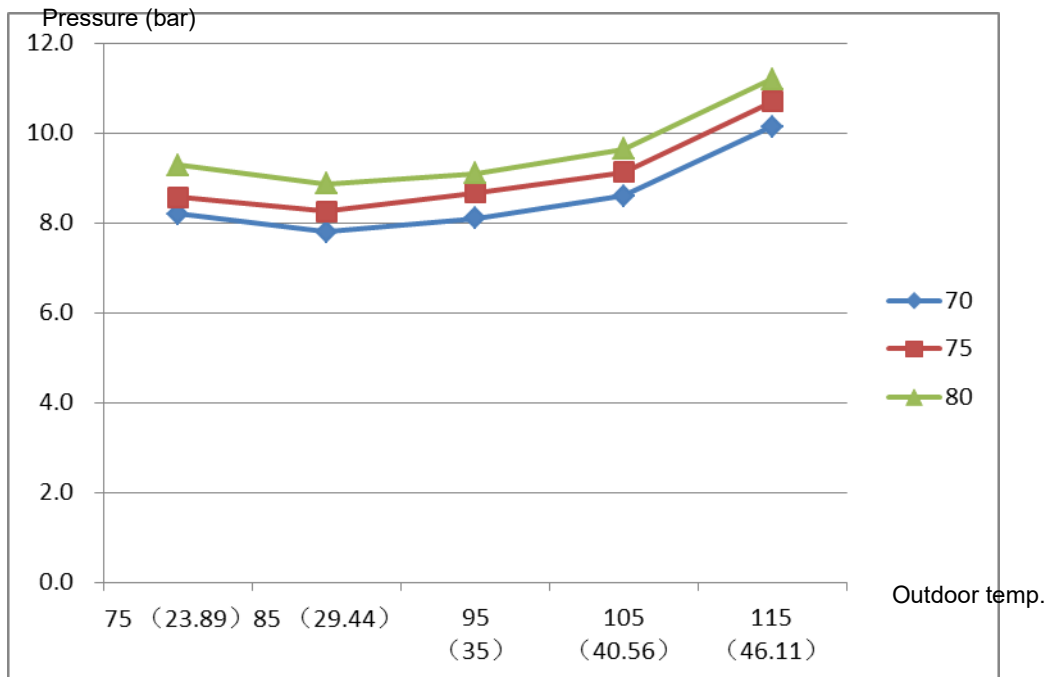
Cooling chart:

COOLING MODE

°F (°C)	Indoor Temp.	Outdoor temp.				
		75 (23.89)	85 (29.44)	95 (35)	105 (40.56)	115 (46.11)
BAR	70	8.2	7.8	8.1	8.6	10.1
BAR	75	8.6	8.3	8.7	9.1	10.7
BAR	80	9.3	8.9	9.1	9.6	11.2

PSI	70	119	113	117	125	147
PSI	75	124	120	126	132	155
PSI	80	135	129	132	140	162

MPA	70	0.82	0.78	0.81	0.86	1.01
MPA	75	0.86	0.83	0.87	0.91	1.07
MPA	80	0.93	0.89	0.91	0.96	1.12



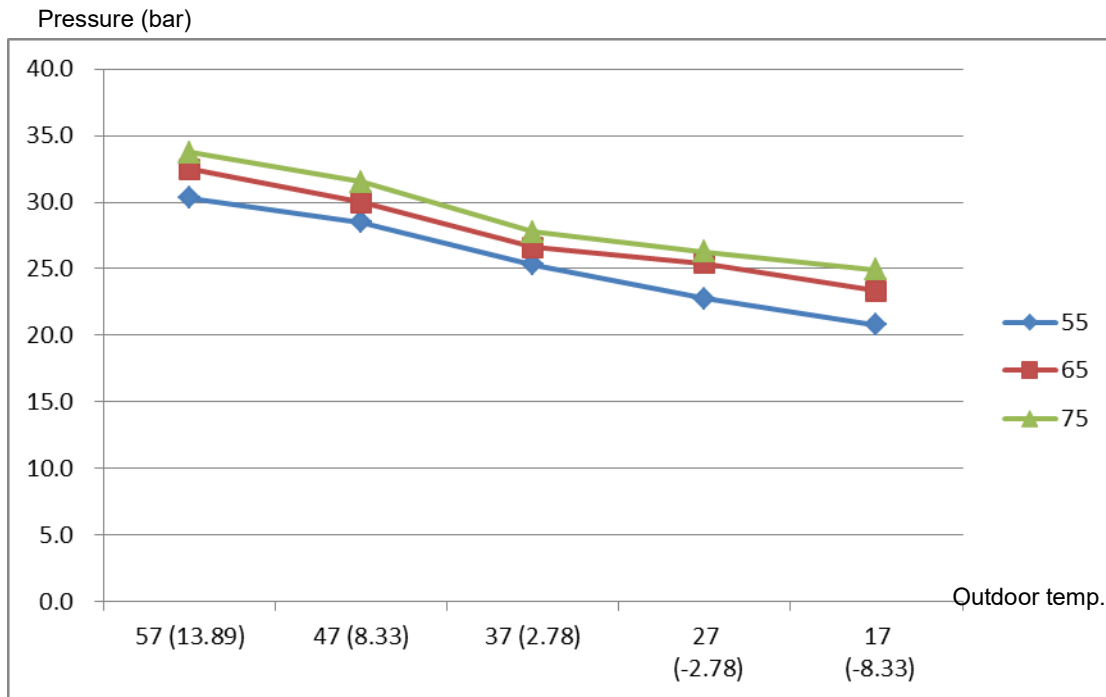
Heating Chart:

HEATING MODE

°F (°C)	Indoor Temp.	Outdoor temp.				
		57 (13.89)	47 (8.33)	37 (2.78)	27 (-2.78)	17 (-8.33)
BAR	55	30.3	28.5	25.3	22.8	20.8
BAR	65	32.5	30.0	26.6	25.4	23.3
BAR	75	33.8	31.5	27.8	26.3	24.9

PSI	55	439	413	367	330	302
PSI	65	471	435	386	368	339
PSI	75	489	457	403	381	362

MPA	55	3.03	2.85	2.53	2.28	2.08
MPA	65	3.25	3.00	2.66	2.54	2.33
MPA	75	3.38	3.15	2.78	2.63	2.49



17. Capacity table

17.1 cooling

YEJE12BZTMCOWX/YEKE12BZTMCOWX																		
INDOOR AIR FLOW (CMH)	OUTDOOR DB (°C)	ID WB(°C)	16.0				18.0				19.0				22.0			
		ID DB (°C)	23.0	25.0	27.0	29.0	23.0	25.0	27.0	29.0	23.0	25.0	27.0	29.0	23.0	25.0	27.0	29.0
300	-15	TC	3.71	3.72	3.72	3.72	3.90	3.96	3.96	3.96	4.00	4.00	4.00	4.00	4.25	4.25	4.25	4.25
		S/T	0.65	0.70	0.76	0.81	0.55	0.60	0.66	0.70	0.50	0.55	0.60	0.66	0.39	0.43	0.48	0.53
		PI	0.64	0.64	0.64	0.64	0.63	0.63	0.63	0.63	0.63	0.63	0.63	0.63	0.63	0.63	0.63	0.63
	-10	TC	3.68	3.70	3.70	3.70	3.87	3.93	3.93	3.93	3.98	3.98	3.98	3.98	4.23	4.23	4.23	4.23
		S/T	0.65	0.71	0.77	0.82	0.55	0.61	0.66	0.71	0.50	0.55	0.60	0.66	0.39	0.44	0.49	0.53
		PI	0.63	0.64	0.64	0.64	0.63	0.63	0.63	0.63	0.63	0.63	0.63	0.63	0.64	0.64	0.64	0.64
	-5	TC	3.66	3.67	3.67	3.67	3.86	3.92	3.92	3.92	3.96	3.96	3.96	3.96	4.22	4.22	4.22	4.22
		S/T	0.65	0.71	0.77	0.82	0.56	0.61	0.66	0.71	0.51	0.56	0.60	0.66	0.39	0.44	0.49	0.54
		PI	0.63	0.64	0.64	0.63	0.63	0.63	0.63	0.63	0.63	0.63	0.63	0.63	0.64	0.64	0.64	0.64
	0	TC	3.64	3.66	3.66	3.66	3.85	3.91	3.91	3.91	3.95	3.95	3.95	3.95	4.22	4.22	4.22	4.22
		S/T	0.66	0.72	0.77	0.82	0.56	0.61	0.67	0.72	0.51	0.56	0.61	0.67	0.39	0.44	0.49	0.54
		PI	0.64	0.64	0.64	0.64	0.63	0.63	0.63	0.63	0.63	0.63	0.63	0.63	0.64	0.64	0.64	0.64
	5	TC	3.62	3.64	3.64	3.64	3.83	3.89	3.89	3.89	3.94	3.94	3.94	3.94	4.21	4.21	4.21	4.21
		S/T	0.66	0.72	0.78	0.83	0.56	0.61	0.67	0.72	0.51	0.56	0.61	0.67	0.39	0.44	0.49	0.54
		PI	0.64	0.64	0.64	0.64	0.64	0.64	0.64	0.64	0.64	0.64	0.64	0.64	0.64	0.64	0.64	0.64
	10	TC	3.60	3.61	3.61	3.61	3.81	3.87	3.87	3.87	3.92	3.92	3.92	3.92	4.20	4.20	4.20	4.20
		S/T	0.66	0.72	0.78	0.83	0.56	0.62	0.67	0.72	0.51	0.56	0.61	0.67	0.40	0.45	0.50	0.54
		PI	0.65	0.66	0.66	0.65	0.65	0.65	0.65	0.65	0.65	0.65	0.65	0.65	0.65	0.65	0.65	0.65
	15	TC	3.57	3.59	3.59	3.59	3.79	3.85	3.85	3.85	3.90	3.90	3.90	3.90	4.19	4.19	4.19	4.19
		S/T	0.67	0.73	0.79	0.84	0.57	0.62	0.68	0.73	0.52	0.57	0.62	0.68	0.40	0.45	0.50	0.55
		PI	0.67	0.67	0.67	0.67	0.66	0.66	0.66	0.66	0.66	0.66	0.66	0.66	0.67	0.67	0.67	0.67
	20	TC	3.53	3.54	3.54	3.54	3.75	3.75	3.75	3.75	3.86	3.86	3.86	3.86	4.15	4.15	4.15	4.15
		S/T	0.67	0.73	0.79	0.84	0.57	0.62	0.68	0.73	0.52	0.57	0.62	0.68	0.40	0.45	0.50	0.55
		PI	0.69	0.70	0.70	0.69	0.69	0.69	0.69	0.69	0.69	0.69	0.69	0.69	0.69	0.69	0.69	0.69
25	TC	3.37	3.37	3.37	3.37	3.57	3.57	3.57	3.57	3.69	3.69	3.69	3.69	3.98	3.98	3.98	3.98	
	S/T	0.68	0.74	0.80	0.86	0.57	0.63	0.68	0.74	0.52	0.57	0.63	0.68	0.40	0.45	0.50	0.55	
	PI	0.76	0.76	0.76	0.76	0.76	0.76	0.76	0.76	0.76	0.76	0.76	0.76	0.76	0.76	0.76	0.76	
30	TC	3.20	3.20	3.20	3.20	3.43	3.43	3.43	3.43	3.52	3.52	3.52	3.52	3.80	3.80	3.80	3.80	
	S/T	0.68	0.74	0.81	0.87	0.57	0.63	0.69	0.74	0.52	0.57	0.63	0.69	0.39	0.45	0.50	0.55	
	PI	0.83	0.83	0.83	0.83	0.84	0.84	0.84	0.84	0.84	0.84	0.84	0.84	0.84	0.84	0.84	0.84	
35	TC	3.05	3.05	3.05	3.05	3.26	3.26	3.26	3.26	3.34	3.34	3.40	3.34	3.60	3.60	3.60	3.60	
	S/T	0.68	0.75	0.82	0.88	0.57	0.63	0.69	0.75	0.51	0.57	0.63	0.69	0.39	0.44	0.50	0.56	
	PI	0.91	0.91	0.91	0.91	0.92	0.92	0.92	0.92	0.92	0.92	0.92	0.92	0.92	0.92	0.92	0.92	
40	TC	2.89	2.89	2.89	2.91	3.09	3.09	3.09	3.09	3.18	3.18	3.21	3.18	3.43	3.43	3.43	3.43	
	S/T	0.69	0.77	0.84	0.91	0.57	0.64	0.71	0.77	0.51	0.58	0.64	0.71	0.38	0.44	0.50	0.56	
	PI	1.00	1.00	1.00	1.00	1.01	1.01	1.01	1.01	1.01	1.01	1.01	1.01	1.01	1.01	1.01	1.01	
46	TC	2.67	2.67	2.67	2.70	2.87	2.87	2.87	2.87	2.96	2.96	2.96	2.96	3.19	3.19	3.19	3.19	
	S/T	0.70	0.78	0.85	0.92	0.57	0.64	0.71	0.78	0.51	0.58	0.65	0.72	0.38	0.44	0.50	0.57	
	PI	1.12	1.12	1.12	1.12	1.12	1.12	1.12	1.12	1.12	1.12	1.12	1.12	1.13	1.13	1.13	1.13	
50	TC	2.53	2.53	2.53	2.55	2.70	2.70	2.70	2.70	2.79	2.79	2.79	2.79	3.02	3.02	3.02	3.02	
	S/T	0.71	0.79	0.87	0.95	0.57	0.65	0.72	0.80	0.51	0.59	0.66	0.73	0.37	0.44	0.50	0.57	

480	-15	PI	1.21	1.21	1.21	1.21	1.22	1.22	1.22	1.22	1.22	1.22	1.22	1.22	1.23	1.23	1.23	1.23	
		TC	3.78	3.78	3.81	3.84	3.96	3.96	3.96	3.96	4.06	4.06	4.06	4.06	4.31	4.31	4.31	4.31	
		S/T	0.70	0.79	0.98	1.00	0.56	0.65	0.72	0.81	0.50	0.58	0.66	0.73	0.35	0.42	0.49	0.57	
	-10	PI	0.65	0.65	0.65	0.65	0.65	0.65	0.65	0.65	0.65	0.65	0.65	0.65	0.64	0.64	0.64	0.64	
		TC	3.76	3.76	3.79	3.82	3.93	3.93	3.93	3.93	4.04	4.04	4.04	4.04	4.29	4.29	4.29	4.29	
		S/T	0.71	0.80	0.99	1.00	0.56	0.65	0.73	0.82	0.50	0.58	0.66	0.74	0.35	0.43	0.49	0.57	
	-5	PI	0.65	0.65	0.65	0.65	0.65	0.65	0.65	0.65	0.65	0.65	0.65	0.65	0.64	0.64	0.64	0.64	
		TC	3.73	3.73	3.76	3.79	3.92	3.92	3.92	3.92	4.02	4.02	4.02	4.02	4.28	4.28	4.28	4.28	
		S/T	0.71	0.80	0.99	1.00	0.57	0.65	0.73	0.82	0.51	0.59	0.66	0.74	0.35	0.43	0.50	0.58	
	0	PI	0.65	0.65	0.65	0.65	0.65	0.65	0.65	0.65	0.65	0.65	0.65	0.65	0.65	0.65	0.65	0.65	
		TC	3.72	3.72	3.75	3.77	3.91	3.91	3.91	3.91	4.01	4.01	4.01	4.01	4.28	4.28	4.28	4.28	
		S/T	0.72	0.80	1.00	1.00	0.57	0.66	0.74	0.82	0.51	0.59	0.67	0.74	0.35	0.43	0.50	0.58	
	5	PI	0.65	0.65	0.65	0.65	0.66	0.66	0.66	0.66	0.66	0.66	0.66	0.66	0.65	0.65	0.65	0.65	
		TC	3.70	3.70	3.73	3.76	3.89	3.89	3.89	3.89	4.00	4.00	4.00	4.00	4.27	4.27	4.27	4.27	
		S/T	0.72	0.81	1.00	1.00	0.57	0.66	0.74	0.83	0.51	0.59	0.67	0.75	0.35	0.43	0.50	0.58	
	10	PI	0.65	0.65	0.65	0.65	0.66	0.66	0.66	0.66	0.66	0.66	0.66	0.66	0.65	0.65	0.65	0.65	
		TC	3.67	3.67	3.70	3.73	3.87	3.87	3.87	3.87	3.98	3.98	3.98	3.98	4.26	4.26	4.26	4.26	
		S/T	0.72	0.81	1.00	1.00	0.57	0.66	0.74	0.83	0.51	0.59	0.67	0.75	0.36	0.44	0.50	0.58	
	15	PI	0.67	0.67	0.67	0.67	0.67	0.67	0.67	0.67	0.67	0.67	0.67	0.67	0.66	0.66	0.66	0.66	
		TC	3.64	3.64	3.67	3.70	3.85	3.85	3.85	3.85	3.96	3.96	3.96	3.96	4.25	4.25	4.25	4.25	
		S/T	0.73	0.82	0.90	0.99	0.58	0.67	0.75	0.84	0.52	0.60	0.68	0.76	0.36	0.44	0.51	0.59	
	20	PI	0.68	0.68	0.68	0.68	0.68	0.68	0.68	0.68	0.68	0.68	0.68	0.68	0.68	0.68	0.68	0.68	
		TC	3.60	3.60	3.63	3.66	3.81	3.81	3.81	3.81	3.92	3.92	3.92	3.92	4.21	4.21	4.21	4.21	
		S/T	0.73	0.82	0.90	0.99	0.58	0.67	0.75	0.84	0.52	0.60	0.68	0.76	0.36	0.44	0.51	0.59	
	25	PI	0.71	0.71	0.71	0.71	0.71	0.71	0.71	0.71	0.71	0.71	0.71	0.71	0.70	0.70	0.70	0.70	
		TC	3.43	3.43	3.46	3.49	3.63	3.63	3.63	3.63	3.75	3.75	3.75	3.75	4.04	4.04	4.04	4.04	
		S/T	0.74	0.83	0.92	1.00	0.59	0.68	0.77	0.85	0.52	0.60	0.69	0.78	0.36	0.44	0.52	0.60	
	30	PI	0.78	0.78	0.78	0.78	0.78	0.78	0.78	0.78	0.78	0.78	0.78	0.78	0.78	0.78	0.78	0.78	
		TC	3.26	3.26	3.29	3.32	3.49	3.49	3.49	3.49	3.57	3.57	3.57	3.57	3.86	3.86	3.86	3.86	
		S/T	0.75	0.85	0.94	1.00	0.59	0.68	0.78	0.87	0.52	0.61	0.70	0.79	0.35	0.44	0.52	0.60	
	35	PI	0.85	0.85	0.85	0.85	0.85	0.85	0.85	0.85	0.85	0.85	0.85	0.85	0.86	0.86	0.86	0.86	
		TC	3.11	3.11	3.14	3.17	3.32	3.32	3.32	3.34	3.40	3.40	3.46	3.40	3.66	3.66	3.66	3.66	
		S/T	0.76	0.86	0.96	1.00	0.60	0.69	0.79	0.89	0.52	0.62	0.71	0.81	0.35	0.44	0.53	0.61	
	40	PI	0.93	0.93	0.93	0.93	0.94	0.94	0.94	0.94	0.94	0.94	0.94	0.94	0.94	0.94	0.94	0.94	
		TC	2.89	2.91	2.94	2.96	3.08	3.08	3.08	3.11	3.17	3.17	3.20	3.17	3.42	3.42	3.42	3.42	
		S/T	0.79	0.90	1.00	1.00	0.61	0.72	0.83	0.93	0.53	0.63	0.74	0.84	0.34	0.44	0.54	0.63	
	46	PI	1.03	1.03	1.03	1.03	1.04	1.04	1.04	1.04	1.04	1.04	1.04	1.04	1.05	1.05	1.05	1.05	
		TC	2.68	2.71	2.73	2.76	2.85	2.85	2.85	2.88	2.93	2.93	2.93	2.93	3.19	3.19	3.19	3.19	
		S/T	0.80	0.91	1.00	1.00	0.62	0.73	0.84	0.95	0.53	0.64	0.75	0.86	0.34	0.44	0.54	0.64	
	50	PI	1.15	1.15	1.15	1.15	1.16	1.16	1.16	1.16	1.16	1.16	1.16	1.16	1.17	1.17	1.17	1.17	
		TC	2.51	2.53	2.56	2.59	2.68	2.68	2.68	2.71	2.76	2.76	2.76	2.79	3.02	3.02	3.02	3.02	
		S/T	0.82	0.94	1.00	1.00	0.63	0.75	0.87	0.98	0.54	0.65	0.77	0.88	0.34	0.44	0.55	0.91	
	600	-15	PI	1.25	1.25	1.25	1.25	1.25	1.25	1.25	1.26	1.26	1.26	1.26	1.27	1.27	1.27	1.27	
			TC	3.84	3.87	3.90	3.93	4.02	4.02	4.02	4.05	4.12	4.12	4.12	4.12	4.40	4.40	4.40	4.40
			S/T	0.74	0.85	1.00	1.00	0.59	0.69	0.79	0.98	0.51	0.61	0.70	0.80	0.34	0.42	0.51	0.61
		-10	PI	0.67	0.67	0.67	0.67	0.66	0.66	0.66	0.66	0.66	0.66	0.66	0.66	0.66	0.66	0.66	0.66
			TC	3.82	3.85	3.88	3.91	3.99	3.99	3.99	4.02	4.10	4.10	4.10	4.10	4.38	4.38	4.38	4.38
			S/T	0.75	0.85	1.00	1.00	0.59	0.69	0.80	0.98	0.51	0.61	0.71	0.81	0.34	0.43	0.51	0.61
PI	0.66	0.66	0.66	0.66	0.66	0.66	0.66	0.66	0.66	0.66	0.66	0.66	0.66	0.66	0.66	0.66			

-5	TC	3.79	3.82	3.85	3.88	3.98	3.98	3.98	3.98	4.01	4.08	4.08	4.08	4.08	4.37	4.37	4.37	4.37
	S/T	0.75	0.86	1.00	1.00	0.59	0.69	0.80	0.99	0.52	0.61	0.71	0.81	0.34	0.43	0.52	0.61	
	PI	0.66	0.66	0.66	0.66	0.66	0.66	0.66	0.66	0.66	0.66	0.66	0.66	0.66	0.66	0.66	0.66	0.66
0	TC	3.77	3.80	3.83	3.86	3.96	3.96	3.96	3.99	4.07	4.07	4.07	4.07	4.37	4.37	4.37	4.37	
	S/T	0.75	0.86	1.00	1.00	0.60	0.70	0.80	0.99	0.52	0.62	0.72	0.81	0.34	0.43	0.52	0.62	
	PI	0.67	0.67	0.67	0.67	0.66	0.66	0.66	0.66	0.66	0.66	0.66	0.66	0.67	0.67	0.67	0.67	
5	TC	3.76	3.79	3.82	3.84	3.95	3.95	3.95	3.98	4.06	4.06	4.06	4.06	4.36	4.36	4.36	4.36	
	S/T	0.76	0.87	1.00	1.00	0.60	0.70	0.81	1.00	0.52	0.62	0.72	0.82	0.34	0.43	0.52	0.62	
	PI	0.67	0.67	0.67	0.67	0.67	0.67	0.67	0.67	0.67	0.67	0.67	0.67	0.67	0.67	0.67	0.67	0.67
10	TC	3.73	3.76	3.79	3.82	3.93	3.93	3.93	3.96	4.04	4.04	4.04	4.04	4.35	4.35	4.35	4.35	
	S/T	0.76	0.87	1.00	1.00	0.60	0.70	0.81	1.00	0.52	0.62	0.72	0.82	0.35	0.44	0.52	0.62	
	PI	0.68	0.68	0.68	0.68	0.68	0.68	0.68	0.68	0.68	0.68	0.68	0.68	0.68	0.68	0.68	0.68	0.68
15	TC	3.70	3.73	3.76	3.79	3.90	3.90	3.90	3.93	4.02	4.02	4.02	4.02	4.33	4.33	4.33	4.33	
	S/T	0.77	0.88	0.99	1.00	0.61	0.71	0.82	0.92	0.53	0.63	0.73	0.83	0.35	0.44	0.53	0.63	
	PI	0.70	0.70	0.70	0.70	0.69	0.69	0.69	0.69	0.69	0.69	0.69	0.69	0.69	0.69	0.69	0.69	0.69
20	TC	3.66	3.69	3.72	3.75	3.86	3.86	3.86	3.89	3.98	3.98	3.98	3.98	4.30	4.30	4.30	4.30	
	S/T	0.77	0.88	0.99	1.00	0.61	0.71	0.82	0.92	0.53	0.63	0.73	0.83	0.35	0.44	0.53	0.63	
	PI	0.72	0.72	0.72	0.72	0.72	0.72	0.72	0.72	0.72	0.72	0.72	0.72	0.72	0.72	0.72	0.72	0.72
25	TC	3.49	3.52	3.55	3.57	3.69	3.69	3.69	3.72	3.81	3.81	3.81	3.81	4.09	4.09	4.09	4.09	
	S/T	0.79	0.90	1.00	1.00	0.61	0.72	0.83	0.94	0.53	0.64	0.74	0.85	0.34	0.44	0.54	0.64	
	PI	0.79	0.79	0.79	0.79	0.79	0.79	0.79	0.79	0.79	0.79	0.79	0.79	0.79	0.79	0.79	0.79	0.79
30	TC	3.32	3.34	3.37	3.40	3.55	3.55	3.55	3.57	3.63	3.63	3.63	3.63	3.92	3.92	3.92	3.92	
	S/T	0.80	0.92	1.00	1.00	0.62	0.73	0.85	0.96	0.53	0.65	0.76	0.87	0.34	0.44	0.55	0.65	
	PI	0.87	0.87	0.87	0.87	0.87	0.87	0.87	0.87	0.87	0.87	0.87	0.87	0.88	0.88	0.88	0.88	
35	TC	3.14	3.17	3.20	3.23	3.37	3.37	3.37	3.40	3.46	3.46	3.52	3.55	3.75	3.75	3.75	3.75	
	S/T	0.82	0.95	1.00	1.00	0.63	0.75	0.87	0.98	0.54	0.66	0.77	0.88	0.34	0.44	0.55	0.66	
	PI	0.95	0.95	0.95	0.95	0.96	0.96	0.96	0.96	0.96	0.96	0.96	0.96	0.96	0.96	0.96	0.96	0.96
40	TC	2.92	2.95	2.98	3.01	3.14	3.14	3.15	3.18	3.22	3.22	3.25	3.28	3.50	3.50	3.50	3.50	
	S/T	0.85	0.99	1.00	1.00	0.65	0.78	0.91	1.00	0.55	0.68	0.80	0.93	0.33	0.45	0.57	0.90	
	PI	1.05	1.05	1.05	1.05	1.06	1.06	1.06	1.06	1.06	1.06	1.06	1.06	1.07	1.07	1.07	1.07	
46	TC	2.71	2.73	2.76	2.79	2.90	2.90	2.93	2.96	2.99	2.99	2.99	3.02	3.25	3.25	3.25	3.25	
	S/T	0.87	1.00	1.00	1.00	0.65	0.79	0.92	1.00	0.56	0.69	0.82	0.95	0.33	0.45	0.57	0.92	
	PI	1.17	1.17	1.17	1.17	1.18	1.18	1.18	1.18	1.18	1.18	1.18	1.18	1.19	1.19	1.19	1.19	
50	TC	2.56	2.59	2.62	2.65	2.73	2.73	2.76	2.79	2.82	2.82	2.82	2.85	3.05	3.05	3.05	3.05	
	S/T	0.89	1.00	1.00	1.00	0.67	0.81	0.95	1.00	0.56	0.70	0.85	0.98	0.32	0.46	0.59	0.97	
	PI	1.27	1.27	1.27	1.27	1.28	1.28	1.28	1.28	1.28	1.28	1.28	1.28	1.29	1.29	1.29	1.29	

YEJE18BZTMCOWX/YEKE18BZTMCOWX																		
INDOOR AIR FLOW (CMH)	OUTDOOR DB (°C)	ID WB(°C)	16.0				18.0				19.0				22.0			
		ID DB (°C)	23.0	25.0	27.0	29.0	23.0	25.0	27.0	29.0	23.0	25.0	27.0	29.0	23.0	25.0	27.0	29.0
630	-15	TC	5.50	5.50	5.50	5.56	5.78	5.90	5.90	5.90	5.93	5.93	5.93	5.93	6.28	6.28	6.28	6.28
		S/T	0.69	0.76	0.84	0.91	0.55	0.63	0.70	0.77	0.49	0.57	0.64	0.70	0.36	0.42	0.49	0.55
		PI	0.99	0.99	0.99	0.99	0.99	0.99	0.99	0.99	0.99	0.99	0.99	0.99	0.99	0.99	0.99	0.99
	-10	TC	5.46	5.47	5.47	5.53	5.75	5.87	5.87	5.87	5.90	5.90	5.90	5.90	6.25	6.25	6.25	6.25
		S/T	0.69	0.77	0.84	0.91	0.55	0.63	0.71	0.78	0.49	0.57	0.64	0.71	0.36	0.43	0.49	0.55
		PI	0.99	0.99	0.99	0.99	0.98	0.98	0.98	0.98	0.98	0.98	0.98	0.98	0.99	0.99	0.99	0.99
	-5	TC	5.43	5.43	5.43	5.49	5.73	5.85	5.85	5.85	5.88	5.88	5.88	5.88	6.24	6.24	6.24	6.24
		S/T	0.69	0.77	0.85	0.92	0.56	0.63	0.71	0.78	0.50	0.58	0.64	0.71	0.36	0.43	0.50	0.56
		PI	0.99	0.99	0.99	0.99	0.98	0.98	0.98	0.98	0.98	0.98	0.98	0.98	0.99	0.99	0.99	0.99
	0	TC	5.40	5.41	5.41	5.47	5.71	5.83	5.83	5.83	5.87	5.87	5.87	5.87	6.23	6.23	6.23	6.23
		S/T	0.70	0.77	0.85	0.92	0.56	0.64	0.72	0.78	0.50	0.58	0.65	0.72	0.36	0.43	0.50	0.56
		PI	0.99	0.99	0.99	0.99	0.99	0.99	0.99	0.99	0.99	0.99	0.99	0.99	1.00	1.00	1.00	1.00
	5	TC	5.38	5.38	5.38	5.44	5.68	5.80	5.80	5.80	5.85	5.85	5.85	5.85	6.23	6.23	6.23	6.23
		S/T	0.70	0.78	0.86	0.93	0.56	0.64	0.72	0.79	0.50	0.58	0.65	0.72	0.36	0.43	0.50	0.56
		PI	1.00	1.00	1.00	1.00	0.99	0.99	0.99	0.99	1.00	1.00	1.00	1.00	1.00	1.00	1.00	1.00
	10	TC	5.34	5.35	5.35	5.41	5.66	5.78	5.78	5.78	5.82	5.82	5.82	5.82	6.21	6.21	6.21	6.21
		S/T	0.70	0.78	0.86	0.93	0.56	0.64	0.72	0.79	0.50	0.58	0.65	0.72	0.37	0.44	0.50	0.56
		PI	1.02	1.02	1.02	1.02	1.01	1.01	1.01	1.01	1.01	1.01	1.01	1.01	1.02	1.02	1.02	1.02
	15	TC	5.30	5.30	5.30	5.36	5.62	5.74	5.74	5.74	5.79	5.79	5.79	5.79	6.19	6.19	6.19	6.19
		S/T	0.71	0.79	0.87	0.94	0.57	0.65	0.73	0.80	0.51	0.59	0.66	0.73	0.37	0.44	0.51	0.57
		PI	1.04	1.04	1.04	1.04	1.03	1.03	1.03	1.03	1.03	1.03	1.03	1.03	1.04	1.04	1.04	1.04
	20	TC	5.24	5.24	5.24	5.30	5.56	5.56	5.56	5.56	5.73	5.73	5.73	5.73	6.13	6.13	6.13	6.13
		S/T	0.71	0.79	0.87	0.94	0.57	0.65	0.73	0.80	0.51	0.59	0.66	0.73	0.37	0.44	0.51	0.57
		PI	1.08	1.08	1.08	1.08	1.07	1.07	1.07	1.07	1.07	1.07	1.07	1.07	1.07	1.07	1.07	1.07
	25	TC	4.99	4.99	5.04	5.10	5.30	5.30	5.30	5.30	5.47	5.47	5.47	5.47	5.87	5.87	5.87	5.87
		S/T	0.72	0.80	0.88	0.96	0.58	0.66	0.74	0.82	0.51	0.59	0.67	0.74	0.36	0.44	0.51	0.58
		PI	1.19	1.19	1.19	1.19	1.19	1.19	1.19	1.19	1.19	1.19	1.19	1.19	1.19	1.19	1.19	1.19
	30	TC	4.76	4.76	4.81	4.87	5.07	5.07	5.07	5.07	5.22	5.22	5.22	5.22	5.62	5.62	5.62	5.62
		S/T	0.72	0.81	0.90	0.98	0.58	0.66	0.75	0.83	0.51	0.60	0.68	0.76	0.36	0.44	0.51	0.59
		PI	1.30	1.30	1.30	1.30	1.30	1.30	1.30	1.30	1.30	1.30	1.30	1.30	1.31	1.31	1.31	1.31
35	TC	4.53	4.53	4.59	4.64	4.81	4.81	4.81	4.81	4.96	4.96	5.04	4.96	5.36	5.36	5.36	5.36	
	S/T	0.73	0.83	0.92	1.00	0.59	0.67	0.76	0.85	0.52	0.60	0.68	0.77	0.36	0.44	0.51	0.59	
	PI	1.42	1.42	1.42	1.42	1.42	1.42	1.42	1.42	1.43	1.43	1.43	1.43	1.44	1.44	1.44	1.44	
40	TC	4.28	4.28	4.32	4.37	4.55	4.55	4.55	4.57	4.70	4.70	4.74	4.70	5.07	5.07	5.07	5.07	
	S/T	0.76	0.86	0.96	1.00	0.60	0.69	0.79	0.88	0.52	0.61	0.71	0.80	0.35	0.44	0.52	0.61	
	PI	1.57	1.57	1.57	1.57	1.57	1.57	1.57	1.57	1.57	1.57	1.57	1.57	1.59	1.59	1.59	1.59	
46	TC	3.97	3.97	4.00	4.02	4.22	4.22	4.22	4.25	4.37	4.37	4.37	4.37	4.71	4.71	4.71	4.71	
	S/T	0.77	0.87	0.98	1.00	0.60	0.70	0.80	0.90	0.52	0.62	0.72	0.81	0.35	0.44	0.53	0.62	
	PI	1.74	1.74	1.74	1.74	1.75	1.75	1.75	1.75	1.75	1.75	1.75	1.75	1.77	1.77	1.77	1.77	
50	TC	3.71	3.74	3.77	3.79	3.97	3.97	3.97	4.00	4.11	4.11	4.11	4.11	4.45	4.45	4.45	4.45	
	S/T	0.78	0.90	1.00	1.00	0.61	0.72	0.82	0.93	0.53	0.63	0.73	0.84	0.34	0.44	0.53	0.63	
	PI	1.89	1.89	1.89	1.89	1.90	1.90	1.90	1.90	1.90	1.90	1.90	1.90	1.92	1.92	1.92	1.92	
765	-15	TC	5.62	5.62	5.68	5.74	5.90	5.90	5.90	5.90	6.06	6.06	6.06	6.06	6.43	6.43	6.43	6.43
		S/T	0.71	0.81	0.98	1.00	0.57	0.66	0.74	0.83	0.50	0.59	0.67	0.75	0.35	0.42	0.50	0.58

		PI	1.01	1.01	1.01	1.01	1.01	1.01	1.01	1.01	1.01	1.01	1.01	1.01	1.01	1.01	1.01	
	-10	TC	5.59	5.59	5.65	5.71	5.87	5.87	5.87	5.87	6.03	6.03	6.03	6.03	6.40	6.40	6.40	6.40
		S/T	0.72	0.82	0.99	1.00	0.57	0.66	0.75	0.83	0.50	0.59	0.67	0.76	0.35	0.43	0.50	0.58
		PI	1.01	1.01	1.01	1.01	1.01	1.01	1.01	1.01	1.00	1.00	1.00	1.00	1.01	1.01	1.01	1.01
	-5	TC	5.56	5.56	5.62	5.67	5.85	5.85	5.85	5.85	6.00	6.00	6.00	6.00	6.39	6.39	6.39	6.39
		S/T	0.72	0.82	0.99	1.00	0.58	0.66	0.75	0.84	0.51	0.59	0.67	0.76	0.35	0.43	0.51	0.59
		PI	1.01	1.01	1.01	1.01	1.01	1.01	1.01	1.01	1.00	1.00	1.00	1.00	1.01	1.01	1.01	1.01
	0	TC	5.53	5.53	5.59	5.65	5.83	5.83	5.83	5.83	5.99	5.99	5.99	5.99	6.38	6.38	6.38	6.38
		S/T	0.73	0.82	1.00	1.00	0.58	0.67	0.75	0.84	0.51	0.60	0.68	0.76	0.35	0.43	0.51	0.59
		PI	1.01	1.01	1.01	1.01	1.01	1.01	1.01	1.01	1.01	1.01	1.01	1.01	1.01	1.01	1.01	1.01
	5	TC	5.50	5.50	5.56	5.62	5.80	5.80	5.80	5.80	5.97	5.97	5.97	5.97	6.38	6.38	6.38	6.38
		S/T	0.73	0.83	1.00	1.00	0.58	0.67	0.76	0.85	0.51	0.60	0.68	0.77	0.35	0.43	0.51	0.59
		PI	1.02	1.02	1.02	1.02	1.02	1.02	1.02	1.02	1.01	1.01	1.01	1.01	1.02	1.02	1.02	1.02
	10	TC	5.47	5.47	5.53	5.58	5.78	5.78	5.78	5.78	5.94	5.94	5.94	5.94	6.36	6.36	6.36	6.36
		S/T	0.73	0.83	1.00	1.00	0.58	0.67	0.76	0.85	0.51	0.60	0.68	0.77	0.36	0.44	0.51	0.59
		PI	1.04	1.04	1.04	1.04	1.04	1.04	1.04	1.04	1.03	1.03	1.03	1.03	1.03	1.03	1.03	1.03
	15	TC	5.42	5.42	5.48	5.54	5.74	5.74	5.74	5.74	5.91	5.91	5.91	5.91	6.33	6.33	6.33	6.33
		S/T	0.74	0.84	0.93	1.00	0.59	0.68	0.77	0.86	0.52	0.61	0.69	0.78	0.36	0.44	0.52	0.60
		PI	1.06	1.06	1.06	1.06	1.06	1.06	1.06	1.06	1.05	1.05	1.05	1.05	1.06	1.06	1.06	1.06
	20	TC	5.36	5.36	5.42	5.48	5.68	5.68	5.68	5.68	5.85	5.85	5.85	5.85	6.28	6.28	6.28	6.28
		S/T	0.74	0.84	0.93	1.00	0.59	0.68	0.77	0.86	0.52	0.61	0.69	0.78	0.36	0.44	0.52	0.60
		PI	1.10	1.10	1.10	1.10	1.10	1.10	1.10	1.10	1.09	1.09	1.09	1.09	1.09	1.09	1.09	1.09
	25	TC	5.10	5.10	5.16	5.22	5.42	5.42	5.42	5.42	5.59	5.59	5.59	5.59	6.02	6.02	6.02	6.02
		S/T	0.75	0.85	0.95	1.00	0.59	0.69	0.78	0.88	0.52	0.61	0.70	0.80	0.35	0.44	0.52	0.61
		PI	1.22	1.22	1.22	1.22	1.21	1.21	1.21	1.21	1.21	1.21	1.21	1.21	1.22	1.22	1.22	1.22
	30	TC	4.87	4.87	4.93	4.99	5.19	5.19	5.19	5.25	5.33	5.33	5.33	5.33	5.76	5.76	5.76	5.76
		S/T	0.76	0.87	0.97	1.00	0.60	0.70	0.80	0.89	0.52	0.62	0.72	0.81	0.35	0.44	0.53	0.62
		PI	1.32	1.32	1.32	1.32	1.33	1.33	1.33	1.33	1.33	1.33	1.33	1.33	1.33	1.33	1.33	1.33
	35	TC	4.62	4.67	4.73	4.79	4.93	4.93	4.93	4.99	5.07	5.07	5.16	5.07	5.48	5.48	5.48	5.48
		S/T	0.78	0.88	0.99	1.00	0.61	0.71	0.81	0.91	0.53	0.63	0.72	0.83	0.35	0.44	0.53	0.63
		PI	1.45	1.45	1.45	1.45	1.45	1.45	1.45	1.45	1.46	1.46	1.46	1.46	1.46	1.46	1.46	1.46
	40	TC	4.29	4.33	4.37	4.42	4.57	4.57	4.57	4.63	4.71	4.71	4.76	4.71	5.09	5.09	5.09	5.09
		S/T	0.80	0.92	1.00	1.00	0.62	0.73	0.85	0.95	0.53	0.64	0.75	0.86	0.34	0.44	0.54	0.65
		PI	1.60	1.60	1.60	1.60	1.60	1.60	1.60	1.60	1.61	1.61	1.61	1.61	1.61	1.61	1.61	1.61
	46	TC	3.98	4.01	4.03	4.06	4.23	4.23	4.23	4.29	4.37	4.37	4.37	4.37	4.74	4.74	4.74	4.74
		S/T	0.82	0.94	1.00	1.00	0.63	0.75	0.86	0.98	0.54	0.65	0.77	0.88	0.34	0.44	0.55	0.66
		PI	1.78	1.78	1.78	1.78	1.78	1.78	1.78	1.78	1.79	1.79	1.79	1.79	1.80	1.80	1.80	1.80
	50	TC	3.72	3.75	3.78	3.81	3.98	3.98	4.01	4.03	4.12	4.12	4.12	4.15	4.46	4.46	4.46	4.46
		S/T	0.84	0.97	1.00	1.00	0.64	0.76	0.89	1.00	0.54	0.67	0.79	0.91	0.33	0.45	0.56	0.91
		PI	1.93	1.93	1.93	1.93	1.93	1.93	1.93	1.93	1.94	1.94	1.94	1.94	1.96	1.96	1.96	1.96
900	-15	TC	5.74	5.74	5.80	5.86	6.05	6.05	6.05	6.11	6.20	6.20	6.20	6.20	6.57	6.57	6.57	6.57
		S/T	0.74	0.85	1.00	1.00	0.58	0.69	0.78	0.98	0.51	0.61	0.70	0.80	0.34	0.42	0.51	0.61
		PI	1.03	1.03	1.03	1.03	1.03	1.03	1.03	1.03	1.03	1.03	1.03	1.03	1.03	1.03	1.03	1.03
	-10	TC	5.71	5.71	5.77	5.83	6.02	6.02	6.02	6.08	6.17	6.17	6.17	6.17	6.55	6.55	6.55	6.55
		S/T	0.75	0.85	1.00	1.00	0.58	0.69	0.79	0.98	0.51	0.61	0.71	0.81	0.34	0.43	0.51	0.61
		PI	1.02	1.02	1.02	1.02	1.03	1.03	1.03	1.03	1.03	1.03	1.03	1.03	1.03	1.03	1.03	1.03
	-5	TC	5.67	5.67	5.73	5.79	6.00	6.00	6.00	6.06	6.15	6.15	6.15	6.15	6.53	6.53	6.53	6.53
		S/T	0.75	0.86	1.00	1.00	0.59	0.69	0.79	0.99	0.52	0.61	0.71	0.81	0.34	0.43	0.52	0.61

	PI	1.02	1.02	1.02	1.02	1.03	1.03	1.03	1.03	1.03	1.03	1.03	1.03	1.03	1.03	1.03	1.03
0	TC	5.65	5.65	5.71	5.76	5.97	5.97	5.97	6.03	6.13	6.13	6.13	6.13	6.53	6.53	6.53	6.53
	S/T	0.75	0.86	1.00	1.00	0.59	0.70	0.79	0.99	0.52	0.62	0.72	0.81	0.34	0.43	0.52	0.62
	PI	1.03	1.03	1.03	1.03	1.03	1.03	1.03	1.03	1.03	1.03	1.03	1.03	1.03	1.03	1.03	1.03
5	TC	5.62	5.62	5.68	5.74	5.95	5.95	5.95	6.01	6.11	6.11	6.11	6.11	6.52	6.52	6.52	6.52
	S/T	0.76	0.87	1.00	1.00	0.59	0.70	0.80	1.00	0.52	0.62	0.72	0.82	0.34	0.43	0.52	0.62
	PI	1.04	1.04	1.04	1.04	1.04	1.04	1.04	1.04	1.04	1.04	1.04	1.04	1.04	1.04	1.04	1.04
10	TC	5.58	5.58	5.64	5.70	5.92	5.92	5.92	5.98	6.09	6.09	6.09	6.09	6.51	6.51	6.51	6.51
	S/T	0.76	0.87	1.00	1.00	0.59	0.70	0.80	1.00	0.52	0.62	0.72	0.82	0.35	0.44	0.52	0.62
	PI	1.05	1.05	1.05	1.05	1.06	1.06	1.06	1.06	1.06	1.06	1.06	1.06	1.05	1.05	1.05	1.05
15	TC	5.54	5.54	5.60	5.65	5.88	5.88	5.88	5.94	6.05	6.05	6.05	6.05	6.48	6.48	6.48	6.48
	S/T	0.77	0.88	0.99	1.00	0.60	0.71	0.81	0.91	0.53	0.63	0.73	0.83	0.35	0.44	0.53	0.63
	PI	1.08	1.08	1.08	1.08	1.08	1.08	1.08	1.08	1.08	1.08	1.08	1.08	1.08	1.08	1.08	1.08
20	TC	5.48	5.48	5.53	5.59	5.82	5.82	5.82	5.88	5.99	5.99	5.99	5.99	6.42	6.42	6.42	6.42
	S/T	0.77	0.88	0.99	1.00	0.60	0.71	0.81	0.91	0.53	0.63	0.73	0.83	0.35	0.44	0.53	0.63
	PI	1.12	1.12	1.12	1.12	1.12	1.12	1.12	1.12	1.12	1.12	1.12	1.12	1.11	1.11	1.11	1.11
25	TC	5.22	5.28	5.33	5.39	5.56	5.56	5.56	5.62	5.73	5.73	5.73	5.73	6.16	6.16	6.16	6.16
	S/T	0.79	0.90	1.00	1.00	0.61	0.72	0.83	0.93	0.53	0.63	0.74	0.85	0.34	0.44	0.54	0.64
	PI	1.24	1.24	1.24	1.24	1.24	1.24	1.24	1.24	1.24	1.24	1.24	1.24	1.24	1.24	1.24	1.24
30	TC	4.99	5.05	5.10	5.16	5.30	5.30	5.30	5.36	5.45	5.45	5.45	5.45	5.88	5.88	5.88	5.88
	S/T	0.80	0.92	1.00	1.00	0.62	0.73	0.85	0.95	0.53	0.64	0.76	0.87	0.34	0.44	0.54	0.65
	PI	1.35	1.35	1.35	1.35	1.35	1.35	1.35	1.35	1.35	1.35	1.35	1.35	1.36	1.36	1.36	1.36
35	TC	4.73	4.79	4.85	4.90	5.05	5.05	5.05	5.10	5.19	5.19	5.28	5.33	5.59	5.59	5.59	5.59
	S/T	0.82	0.94	1.00	1.00	0.63	0.75	0.87	0.98	0.54	0.65	0.77	0.88	0.34	0.44	0.55	0.66
	PI	1.48	1.48	1.48	1.48	1.48	1.48	1.48	1.48	1.49	1.49	1.49	1.49	1.50	1.50	1.50	1.50
40	TC	4.39	4.43	4.47	4.52	4.68	4.68	4.71	4.77	4.82	4.82	4.87	4.93	5.21	5.21	5.21	5.21
	S/T	0.85	0.99	1.00	1.00	0.64	0.78	0.90	1.00	0.55	0.68	0.80	0.93	0.33	0.45	0.57	0.90
	PI	1.63	1.63	1.63	1.63	1.63	1.63	1.63	1.63	1.64	1.64	1.64	1.64	1.65	1.65	1.65	1.65
46	TC	4.06	4.09	4.12	4.15	4.35	4.35	4.40	4.46	4.49	4.49	4.49	4.54	4.85	4.85	4.85	4.85
	S/T	0.87	1.00	1.00	1.00	0.65	0.79	0.92	1.00	0.55	0.69	0.82	0.94	0.33	0.45	0.57	0.92
	PI	1.81	1.81	1.81	1.81	1.82	1.82	1.82	1.82	1.83	1.83	1.83	1.83	1.84	1.84	1.84	1.84
50	TC	3.81	3.84	3.87	3.89	4.06	4.06	4.09	4.12	4.20	4.20	4.20	4.23	4.57	4.57	4.57	4.57
	S/T	0.89	1.00	1.00	1.00	0.67	0.81	0.96	1.00	0.56	0.70	0.84	0.98	0.33	0.46	0.58	0.97
	PI	1.97	1.97	1.97	1.97	1.97	1.97	1.97	1.97	1.98	1.98	1.98	1.98	2.00	2.00	2.00	2.00

YEJE24BZTMCMOWX/YEKE24BZTMCMOWX																		
INDOOR AIR FLOW (CMH)	OUTDOOR DB (°C)	ID WB(°C)	16.0				18.0				19.0				22.0			
		ID DB (°C)	23.0	25.0	27.0	29.0	23.0	25.0	27.0	29.0	23.0	25.0	27.0	29.0	23.0	25.0	27.0	29.0
740	-15	TC	7.35	7.34	7.34	7.40	7.73	7.88	7.88	7.97	7.93	7.93	7.93	7.93	8.40	8.40	8.40	8.40
		S/T	0.67	0.73	0.80	0.87	0.55	0.61	0.68	0.74	0.49	0.56	0.62	0.69	0.37	0.42	0.48	0.54
		PI	1.30	1.30	1.30	1.30	1.29	1.29	1.29	1.29	1.29	1.29	1.29	1.29	1.29	1.29	1.29	1.29
	-10	TC	7.31	7.30	7.30	7.36	7.69	7.84	7.84	7.93	7.89	7.89	7.89	7.89	8.37	8.37	8.37	8.37
		S/T	0.67	0.74	0.81	0.87	0.55	0.62	0.68	0.75	0.49	0.56	0.62	0.69	0.37	0.43	0.49	0.54
		PI	1.29	1.29	1.29	1.29	1.29	1.29	1.29	1.29	1.29	1.29	1.29	1.29	1.29	1.29	1.29	1.29
	-5	TC	7.26	7.26	7.26	7.32	7.66	7.81	7.81	7.90	7.86	7.86	7.86	7.86	8.35	8.35	8.35	8.35
		S/T	0.67	0.74	0.81	0.88	0.56	0.62	0.68	0.75	0.50	0.57	0.62	0.69	0.37	0.43	0.49	0.55
		PI	1.29	1.29	1.29	1.29	1.29	1.29	1.29	1.29	1.29	1.29	1.29	1.29	1.29	1.29	1.29	1.29
	0	TC	7.23	7.22	7.22	7.28	7.63	7.78	7.78	7.87	7.84	7.84	7.84	7.84	8.34	8.34	8.34	8.34
		S/T	0.68	0.74	0.81	0.88	0.56	0.62	0.69	0.75	0.50	0.57	0.63	0.70	0.37	0.43	0.49	0.55
		PI	1.29	1.30	1.30	1.29	1.29	1.29	1.29	1.29	1.30	1.30	1.30	1.30	1.30	1.30	1.30	1.30
	5	TC	7.19	7.18	7.18	7.24	7.60	7.75	7.75	7.84	7.82	7.82	7.82	7.82	8.34	8.34	8.34	8.34
		S/T	0.68	0.75	0.82	0.89	0.56	0.63	0.69	0.76	0.50	0.57	0.63	0.70	0.37	0.43	0.49	0.55
		PI	1.31	1.31	1.31	1.31	1.30	1.30	1.30	1.30	1.31	1.31	1.31	1.31	1.31	1.31	1.31	1.31
	10	TC	7.15	7.14	7.14	7.20	7.56	7.71	7.71	7.80	7.79	7.79	7.79	7.79	8.31	8.31	8.31	8.31
		S/T	0.68	0.75	0.82	0.89	0.56	0.63	0.69	0.76	0.50	0.57	0.63	0.70	0.38	0.44	0.50	0.55
		PI	1.33	1.33	1.33	1.33	1.32	1.32	1.32	1.32	1.33	1.33	1.33	1.33	1.32	1.32	1.32	1.32
	15	TC	7.09	7.08	7.08	7.14	7.51	7.66	7.66	7.75	7.74	7.74	7.74	7.74	8.28	8.28	8.28	8.28
		S/T	0.69	0.76	0.83	0.90	0.57	0.63	0.70	0.77	0.51	0.58	0.64	0.71	0.38	0.44	0.50	0.56
		PI	1.36	1.36	1.36	1.36	1.35	1.35	1.35	1.35	1.36	1.36	1.36	1.36	1.35	1.35	1.35	1.35
	20	TC	7.01	7.00	7.00	7.06	7.43	7.43	7.43	7.43	7.66	7.66	7.66	7.66	8.21	8.21	8.21	8.21
		S/T	0.69	0.76	0.83	0.90	0.57	0.64	0.70	0.77	0.51	0.58	0.64	0.71	0.38	0.44	0.50	0.56
		PI	1.41	1.41	1.41	1.41	1.40	1.40	1.40	1.40	1.40	1.40	1.40	1.40	1.39	1.39	1.39	1.39
	25	TC	6.69	6.69	6.69	6.74	7.09	7.09	7.09	7.09	7.32	7.32	7.32	7.32	7.86	7.86	7.86	7.86
		S/T	0.70	0.77	0.84	0.92	0.57	0.64	0.71	0.78	0.51	0.58	0.65	0.71	0.38	0.44	0.50	0.56
		PI	1.55	1.55	1.55	1.55	1.55	1.55	1.55	1.55	1.55	1.55	1.55	1.55	1.55	1.55	1.55	1.55
	30	TC	6.37	6.37	6.37	6.43	6.77	6.77	6.77	6.77	6.97	6.97	6.97	6.97	7.52	7.52	7.52	7.52
		S/T	0.70	0.78	0.86	0.93	0.57	0.65	0.72	0.79	0.51	0.58	0.65	0.73	0.37	0.44	0.50	0.57
		PI	1.69	1.69	1.69	1.69	1.70	1.70	1.70	1.70	1.70	1.70	1.70	1.70	1.71	1.71	1.71	1.71
35	TC	6.06	6.06	6.06	6.11	6.43	6.43	6.43	6.43	6.63	6.63	6.74	6.63	7.17	7.17	7.17	7.17	
	S/T	0.71	0.79	0.87	0.95	0.58	0.65	0.73	0.81	0.51	0.59	0.66	0.74	0.37	0.44	0.51	0.57	
	PI	1.86	1.86	1.86	1.86	1.86	1.86	1.86	1.86	1.87	1.87	1.87	1.87	1.88	1.88	1.88	1.88	
40	TC	5.66	5.66	5.68	5.74	6.01	6.01	6.01	6.01	6.21	6.21	6.28	6.21	6.72	6.72	6.72	6.72	
	S/T	0.73	0.82	0.90	0.99	0.58	0.67	0.75	0.84	0.52	0.60	0.68	0.76	0.36	0.44	0.51	0.59	
	PI	2.05	2.05	2.05	2.05	2.06	2.06	2.06	2.06	2.06	2.06	2.06	2.06	2.08	2.08	2.08	2.08	
46	TC	5.24	5.24	5.29	5.35	5.58	5.58	5.58	5.58	5.78	5.78	5.78	5.78	6.23	6.23	6.23	6.23	
	S/T	0.74	0.83	0.92	1.00	0.59	0.67	0.76	0.85	0.52	0.60	0.69	0.77	0.36	0.44	0.51	0.59	
	PI	2.28	2.28	2.28	2.28	2.29	2.29	2.29	2.29	2.29	2.29	2.29	2.29	2.31	2.31	2.31	2.31	
50	TC	4.90	4.90	4.95	5.01	5.24	5.24	5.24	5.24	5.44	5.44	5.44	5.44	5.89	5.89	5.89	5.89	
	S/T	0.75	0.85	0.95	1.00	0.59	0.69	0.78	0.87	0.52	0.61	0.70	0.79	0.35	0.44	0.52	0.60	
	PI	2.47	2.47	2.47	2.47	2.48	2.48	2.48	2.48	2.49	2.49	2.49	2.49	2.51	2.51	2.51	2.51	
1180	-15	TC	7.50	7.56	7.65	7.74	7.88	7.88	7.88	7.97	8.09	8.09	8.09	8.09	8.58	8.58	8.58	8.58
		S/T	0.75	0.85	0.98	1.00	0.59	0.69	0.78	0.88	0.51	0.61	0.70	0.80	0.33	0.42	0.51	0.61

		PI	1.33	1.33	1.33	1.33	1.32	1.32	1.32	1.32	1.32	1.32	1.32	1.32	1.32	1.32	1.32	
	-10	TC	7.45	7.51	7.60	7.69	7.84	7.84	7.84	7.93	8.05	8.05	8.05	8.05	8.55	8.55	8.55	8.55
		S/T	0.76	0.85	0.99	1.00	0.59	0.69	0.79	0.88	0.51	0.61	0.71	0.81	0.33	0.43	0.51	0.61
		PI	1.32	1.32	1.32	1.32	1.32	1.32	1.32	1.32	1.32	1.32	1.32	1.32	1.32	1.32	1.32	1.32
	-5	TC	7.41	7.47	7.56	7.65	7.81	7.81	7.81	7.90	8.02	8.02	8.02	8.02	8.53	8.53	8.53	8.53
		S/T	0.76	0.86	0.99	1.00	0.59	0.69	0.79	0.89	0.52	0.61	0.71	0.81	0.33	0.43	0.52	0.61
		PI	1.32	1.32	1.32	1.32	1.31	1.31	1.31	1.31	1.32	1.32	1.32	1.32	1.32	1.32	1.32	1.32
	0	TC	7.37	7.43	7.52	7.61	7.78	7.78	7.78	7.87	7.99	7.99	7.99	7.99	8.52	8.52	8.52	8.52
		S/T	0.76	0.86	1.00	1.00	0.60	0.70	0.79	0.89	0.52	0.62	0.72	0.81	0.33	0.43	0.52	0.62
		PI	1.32	1.32	1.32	1.32	1.32	1.32	1.32	1.32	1.32	1.32	1.32	1.32	1.32	1.32	1.32	1.32
	5	TC	7.33	7.39	7.48	7.57	7.75	7.75	7.75	7.84	7.97	7.97	7.97	7.97	8.51	8.51	8.51	8.51
		S/T	0.77	0.87	1.00	1.00	0.60	0.70	0.80	0.90	0.52	0.62	0.72	0.82	0.33	0.43	0.52	0.62
		PI	1.34	1.34	1.34	1.34	1.33	1.33	1.33	1.33	1.33	1.33	1.33	1.33	1.33	1.33	1.33	1.33
	10	TC	7.29	7.35	7.44	7.52	7.71	7.71	7.71	7.80	7.93	7.93	7.93	7.93	8.49	8.49	8.49	8.49
		S/T	0.77	0.87	1.00	1.00	0.60	0.70	0.80	0.90	0.52	0.62	0.72	0.82	0.34	0.44	0.52	0.62
		PI	1.36	1.36	1.36	1.36	1.35	1.35	1.35	1.35	1.35	1.35	1.35	1.35	1.35	1.35	1.35	1.35
	15	TC	7.23	7.29	7.38	7.46	7.66	7.66	7.66	7.75	7.89	7.89	7.89	7.89	8.46	8.46	8.46	8.46
		S/T	0.78	0.88	0.99	1.00	0.61	0.71	0.81	0.91	0.53	0.63	0.73	0.83	0.34	0.44	0.53	0.63
		PI	1.39	1.39	1.39	1.39	1.38	1.38	1.38	1.38	1.39	1.39	1.39	1.39	1.38	1.38	1.38	1.38
	20	TC	7.15	7.21	7.29	7.38	7.58	7.58	7.58	7.67	7.81	7.81	7.81	7.81	8.38	8.38	8.38	8.38
		S/T	0.78	0.88	0.99	1.00	0.61	0.71	0.81	0.91	0.53	0.63	0.73	0.83	0.34	0.44	0.53	0.63
		PI	1.44	1.44	1.44	1.44	1.43	1.43	1.43	1.43	1.43	1.43	1.43	1.43	1.42	1.42	1.42	1.42
	25	TC	6.83	6.89	6.95	7.01	7.26	7.26	7.26	7.35	7.46	7.46	7.46	7.46	8.04	8.04	8.04	8.04
		S/T	0.79	0.90	1.00	1.00	0.61	0.72	0.83	0.93	0.53	0.64	0.74	0.85	0.34	0.44	0.54	0.64
		PI	1.59	1.59	1.59	1.59	1.59	1.59	1.59	1.59	1.59	1.59	1.59	1.59	1.59	1.59	1.59	1.59
	30	TC	6.52	6.57	6.63	6.69	6.92	6.92	6.92	6.98	7.12	7.12	7.12	7.12	7.69	7.69	7.69	7.69
		S/T	0.80	0.92	1.00	1.00	0.62	0.73	0.85	0.96	0.53	0.65	0.76	0.87	0.34	0.44	0.54	0.65
		PI	1.73	1.73	1.73	1.73	1.73	1.73	1.73	1.73	1.74	1.74	1.74	1.74	1.74	1.74	1.74	1.74
	35	TC	6.17	6.23	6.29	6.34	6.57	6.57	6.57	6.63	6.78	6.78	6.89	6.95	7.32	7.32	7.32	7.32
		S/T	0.82	0.94	1.00	1.00	0.63	0.75	0.87	0.99	0.54	0.66	0.77	0.88	0.34	0.44	0.55	0.66
		PI	1.90	1.90	1.90	1.90	1.90	1.90	1.90	1.90	1.91	1.91	1.91	1.91	1.91	1.91	1.91	1.91
	40	TC	5.83	5.89	5.95	6.00	6.21	6.21	6.23	6.29	6.41	6.41	6.47	6.53	6.93	6.93	6.93	6.93
		S/T	0.85	0.99	1.00	1.00	0.65	0.78	0.90	1.00	0.55	0.68	0.80	0.93	0.33	0.45	0.57	0.69
		PI	2.10	2.10	2.10	2.10	2.10	2.10	2.10	2.10	2.11	2.11	2.11	2.11	2.11	2.11	2.11	2.11
	46	TC	5.41	5.46	5.52	5.58	5.75	5.75	5.81	5.87	5.95	5.95	5.95	6.01	6.44	6.44	6.44	6.44
		S/T	0.87	1.00	1.00	1.00	0.65	0.79	0.93	1.00	0.55	0.69	0.82	0.95	0.33	0.45	0.57	0.70
		PI	2.33	2.33	2.33	2.33	2.34	2.34	2.34	2.34	2.34	2.34	2.34	2.34	2.36	2.36	2.36	2.36
	50	TC	5.06	5.12	5.18	5.23	5.41	5.41	5.46	5.52	5.61	5.61	5.61	5.67	6.07	6.07	6.07	6.07
		S/T	0.90	1.00	1.00	1.00	0.67	0.81	0.96	1.00	0.56	0.70	0.85	0.98	0.33	0.46	0.59	0.91
		PI	2.52	2.52	2.52	2.52	2.53	2.53	2.53	2.53	2.54	2.54	2.54	2.54	2.56	2.56	2.56	2.56
1320	-15	TC	7.68	7.77	7.86	7.95	8.06	8.06	8.06	8.15	8.26	8.26	8.26	8.26	8.79	8.79	8.79	8.79
		S/T	0.77	0.89	1.00	1.00	0.60	0.70	0.82	0.98	0.51	0.63	0.73	0.84	0.33	0.42	0.53	0.63
		PI	1.35	1.35	1.35	1.35	1.35	1.35	1.35	1.35	1.35	1.35	1.35	1.35	1.34	1.34	1.34	1.34
	-10	TC	7.63	7.72	7.81	7.90	8.02	8.02	8.02	8.10	8.22	8.22	8.22	8.22	8.76	8.76	8.76	8.76
		S/T	0.78	0.89	1.00	1.00	0.60	0.71	0.82	0.98	0.51	0.63	0.74	0.84	0.33	0.43	0.53	0.63
		PI	1.35	1.35	1.35	1.35	1.34	1.34	1.34	1.34	1.35	1.35	1.35	1.35	1.34	1.34	1.34	1.34
	-5	TC	7.59	7.68	7.77	7.85	7.99	7.99	7.99	8.07	8.19	8.19	8.19	8.19	8.73	8.73	8.73	8.73
		S/T	0.78	0.90	1.00	1.00	0.60	0.71	0.83	0.99	0.52	0.63	0.74	0.85	0.33	0.43	0.54	0.63

	PI	1.35	1.35	1.35	1.35	1.34	1.34	1.34	1.34	1.35	1.35	1.35	1.35	1.35	1.35	1.35	1.35
0	TC	7.55	7.64	7.73	7.82	7.96	7.96	7.96	8.04	8.17	8.17	8.17	8.17	8.73	8.73	8.73	8.73
	S/T	0.78	0.90	1.00	1.00	0.61	0.72	0.83	0.99	0.52	0.64	0.74	0.85	0.33	0.43	0.54	0.64
	PI	1.35	1.35	1.35	1.35	1.35	1.35	1.35	1.35	1.35	1.35	1.35	1.35	1.35	1.35	1.35	1.35
5	TC	7.51	7.60	7.69	7.78	7.93	7.93	7.93	8.01	8.14	8.14	8.14	8.14	8.72	8.72	8.72	8.72
	S/T	0.79	0.91	1.00	1.00	0.61	0.72	0.84	1.00	0.52	0.64	0.75	0.86	0.33	0.43	0.54	0.64
	PI	1.36	1.36	1.36	1.36	1.36	1.36	1.36	1.36	1.36	1.36	1.36	1.36	1.36	1.36	1.36	1.36
10	TC	7.47	7.55	7.64	7.73	7.89	7.89	7.89	7.98	8.11	8.11	8.11	8.11	8.70	8.70	8.70	8.70
	S/T	0.79	0.91	1.00	1.00	0.61	0.72	0.84	1.00	0.52	0.64	0.75	0.86	0.34	0.44	0.54	0.64
	PI	1.39	1.39	1.39	1.39	1.38	1.38	1.38	1.38	1.38	1.38	1.38	1.38	1.38	1.38	1.38	1.38
15	TC	7.40	7.49	7.58	7.67	7.83	7.83	7.83	7.92	8.06	8.06	8.06	8.06	8.66	8.66	8.66	8.66
	S/T	0.80	0.92	1.00	1.00	0.62	0.73	0.85	0.96	0.53	0.65	0.76	0.87	0.34	0.44	0.55	0.65
	PI	1.42	1.42	1.42	1.42	1.41	1.41	1.41	1.41	1.41	1.41	1.41	1.41	1.41	1.41	1.41	1.41
20	TC	7.32	7.41	7.49	7.58	7.75	7.75	7.75	7.84	7.98	7.98	7.98	7.98	8.58	8.58	8.58	8.58
	S/T	0.80	0.92	1.00	1.00	0.62	0.73	0.85	0.96	0.53	0.65	0.76	0.87	0.34	0.44	0.55	0.65
	PI	1.47	1.47	1.47	1.47	1.46	1.46	1.46	1.46	1.46	1.46	1.46	1.46	1.45	1.45	1.45	1.45
25	TC	6.98	7.03	7.09	7.15	7.41	7.41	7.41	7.49	7.64	7.64	7.64	7.72	8.21	8.21	8.21	8.21
	S/T	0.82	0.94	1.00	1.00	0.63	0.75	0.87	0.98	0.54	0.65	0.77	0.88	0.34	0.44	0.55	0.66
	PI	1.62	1.62	1.62	1.62	1.62	1.62	1.62	1.62	1.62	1.62	1.62	1.62	1.62	1.62	1.62	1.62
30	TC	6.63	6.69	6.75	6.80	7.06	7.06	7.12	7.18	7.29	7.29	7.29	7.38	7.84	7.84	7.84	7.84
	S/T	0.83	0.96	1.00	1.00	0.64	0.76	0.88	1.00	0.54	0.66	0.79	0.90	0.33	0.45	0.56	0.67
	PI	1.77	1.77	1.77	1.77	1.77	1.77	1.77	1.77	1.77	1.77	1.77	1.77	1.78	1.78	1.78	1.78
35	TC	6.32	6.37	6.43	6.49	6.72	6.72	6.78	6.83	6.92	6.92	7.03	7.09	7.46	7.46	7.46	7.46
	S/T	0.85	0.99	1.00	1.00	0.65	0.78	0.90	1.00	0.55	0.68	0.80	0.92	0.33	0.45	0.57	0.69
	PI	1.94	1.94	1.94	1.94	1.94	1.94	1.94	1.94	1.95	1.95	1.95	1.95	1.96	1.96	1.96	1.96
40	TC	5.96	6.02	6.08	6.13	6.35	6.35	6.41	6.47	6.54	6.54	6.60	6.66	7.07	7.07	7.07	7.07
	S/T	0.89	1.00	1.00	1.00	0.67	0.81	0.95	1.00	0.56	0.70	0.84	0.98	0.33	0.45	0.58	0.90
	PI	2.14	2.14	2.14	2.14	2.14	2.14	2.14	2.14	2.15	2.15	2.15	2.15	2.16	2.16	2.16	2.16
46	TC	5.52	5.58	5.64	5.69	5.90	5.90	5.95	6.01	6.07	6.07	6.07	6.13	6.59	6.59	6.59	6.59
	S/T	0.91	1.00	1.00	1.00	0.67	0.82	0.97	1.00	0.57	0.71	0.86	1.00	0.32	0.46	0.59	0.92
	PI	2.38	2.38	2.38	2.38	2.39	2.39	2.39	2.39	2.39	2.39	2.39	2.39	2.41	2.41	2.41	2.41
50	TC	5.18	5.23	5.29	5.35	5.52	5.52	5.58	5.64	5.72	5.72	5.78	5.84	6.18	6.18	6.18	6.18
	S/T	0.94	1.00	1.00	1.00	0.69	0.85	1.00	1.00	0.58	0.73	0.88	1.00	0.32	0.46	0.61	0.97
	PI	2.58	2.58	2.58	2.58	2.59	2.59	2.59	2.59	2.59	2.59	2.59	2.59	2.62	2.62	2.62	2.62

YFJE18BZTMCMORX/YFKE18BZTMCMORX

INDOOR AIR FLOW (CMH)	OUTDOOR DB (°C)	ID WB(°C)	16.0				18.0				19.0				22.0			
		ID DB (°C)	23.0	25.0	27.0	29.0	23.0	25.0	27.0	29.0	23.0	25.0	27.0	29.0	23.0	25.0	27.0	29.0
715	-15	TC	5.50	5.50	5.56	5.62	5.78	5.90	5.90	5.96	5.93	5.93	5.93	5.93	6.28	6.28	6.28	6.28
		S/T	0.70	0.79	0.88	0.96	0.56	0.65	0.73	0.81	0.50	0.58	0.66	0.74	0.35	0.42	0.49	0.57
		PI	0.96	0.96	0.96	0.96	0.96	0.96	0.96	0.96	0.96	0.95	0.95	0.95	0.95	0.95	0.95	0.95
	-10	TC	5.46	5.47	5.53	5.59	5.75	5.87	5.87	5.93	5.90	5.90	5.90	5.90	6.25	6.25	6.25	6.25
		S/T	0.71	0.80	0.88	0.96	0.56	0.65	0.74	0.82	0.50	0.58	0.66	0.75	0.35	0.43	0.49	0.57
		PI	0.95	0.95	0.95	0.95	0.96	0.96	0.96	0.96	0.95	0.95	0.95	0.95	0.95	0.95	0.95	0.95
	-5	TC	5.43	5.43	5.49	5.55	5.73	5.85	5.85	5.91	5.88	5.88	5.88	5.88	6.24	6.24	6.24	6.24
		S/T	0.71	0.80	0.89	0.97	0.57	0.65	0.74	0.82	0.51	0.59	0.66	0.75	0.35	0.43	0.50	0.58
		PI	0.95	0.95	0.95	0.95	0.95	0.95	0.95	0.95	0.95	0.95	0.95	0.95	0.95	0.95	0.95	0.95
	0	TC	5.40	5.41	5.47	5.53	5.71	5.83	5.83	5.88	5.87	5.87	5.87	5.87	6.23	6.23	6.23	6.23
		S/T	0.72	0.80	0.89	0.97	0.57	0.66	0.74	0.82	0.51	0.59	0.67	0.75	0.35	0.43	0.50	0.58
		PI	0.96	0.95	0.95	0.96	0.96	0.96	0.96	0.96	0.95	0.95	0.95	0.95	0.96	0.96	0.96	0.96
	5	TC	5.38	5.38	5.44	5.50	5.68	5.80	5.80	5.86	5.85	5.85	5.85	5.85	6.23	6.23	6.23	6.23
		S/T	0.72	0.81	0.90	0.98	0.57	0.66	0.75	0.83	0.51	0.59	0.67	0.76	0.35	0.43	0.50	0.58
		PI	0.96	0.96	0.96	0.96	0.97	0.97	0.97	0.97	0.96	0.96	0.96	0.96	0.96	0.96	0.96	0.96
	10	TC	5.34	5.35	5.41	5.46	5.66	5.78	5.78	5.83	5.82	5.82	5.82	5.82	6.21	6.21	6.21	6.21
		S/T	0.72	0.81	0.90	0.98	0.57	0.66	0.75	0.83	0.51	0.59	0.67	0.76	0.36	0.44	0.50	0.58
		PI	0.98	0.98	0.98	0.98	0.98	0.98	0.98	0.98	0.97	0.97	0.97	0.97	0.98	0.98	0.98	0.98
	15	TC	5.30	5.30	5.36	5.42	5.62	5.74	5.74	5.80	5.79	5.79	5.79	5.79	6.19	6.19	6.19	6.19
		S/T	0.73	0.82	0.91	0.99	0.58	0.67	0.76	0.84	0.52	0.60	0.68	0.77	0.36	0.44	0.51	0.59
		PI	1.00	1.00	1.00	1.00	1.00	1.00	1.00	1.00	1.00	1.00	1.00	1.00	1.00	1.00	1.00	1.00
	20	TC	5.24	5.24	5.30	5.36	5.56	5.56	5.56	5.56	5.73	5.73	5.73	5.73	6.13	6.13	6.13	6.13
		S/T	0.73	0.82	0.91	0.99	0.58	0.67	0.76	0.84	0.52	0.60	0.68	0.77	0.36	0.44	0.51	0.59
		PI	1.04	1.04	1.04	1.04	1.04	1.04	1.04	1.04	1.03	1.03	1.03	1.03	1.03	1.03	1.03	1.03
25	TC	4.99	4.99	5.04	5.10	5.30	5.30	5.30	5.30	5.47	5.47	5.47	5.47	5.87	5.87	5.87	5.87	
	S/T	0.74	0.84	0.93	1.00	0.59	0.68	0.77	0.86	0.52	0.61	0.69	0.78	0.36	0.44	0.52	0.60	
	PI	1.15	1.15	1.15	1.15	1.15	1.15	1.15	1.15	1.15	1.15	1.15	1.15	1.15	1.15	1.15	1.15	
30	TC	4.76	4.76	4.81	4.87	5.07	5.07	5.07	5.07	5.22	5.22	5.22	5.22	5.62	5.62	5.62	5.62	
	S/T	0.75	0.85	0.95	1.00	0.59	0.69	0.78	0.88	0.52	0.61	0.70	0.80	0.35	0.44	0.52	0.61	
	PI	1.25	1.25	1.25	1.25	1.25	1.25	1.25	1.25	1.25	1.25	1.25	1.25	1.26	1.26	1.26	1.26	
35	TC	4.53	4.53	4.59	4.64	4.81	4.81	4.81	4.87	4.96	4.96	5.04	4.96	5.36	5.36	5.36	5.36	
	S/T	0.76	0.87	0.97	1.00	0.60	0.70	0.80	0.89	0.52	0.62	0.71	0.81	0.35	0.44	0.53	0.62	
	PI	1.37	1.37	1.37	1.37	1.38	1.38	1.38	1.38	1.38	1.38	1.38	1.38	1.39	1.39	1.39	1.39	
40	TC	4.23	4.24	4.28	4.33	4.50	4.50	4.50	4.54	4.64	4.64	4.68	4.64	5.01	5.01	5.01	5.01	
	S/T	0.79	0.90	1.00	1.00	0.61	0.72	0.83	0.93	0.53	0.64	0.74	0.85	0.34	0.44	0.54	0.64	
	PI	1.51	1.51	1.51	1.51	1.52	1.52	1.52	1.52	1.52	1.52	1.52	1.52	1.53	1.53	1.53	1.53	
46	TC	3.92	3.94	3.97	4.00	4.17	4.17	4.17	4.20	4.31	4.31	4.31	4.31	4.65	4.65	4.65	4.65	
	S/T	0.80	0.92	1.00	1.00	0.62	0.73	0.85	0.96	0.53	0.64	0.75	0.86	0.34	0.44	0.54	0.65	
	PI	1.68	1.68	1.68	1.68	1.69	1.69	1.69	1.69	1.69	1.69	1.69	1.69	1.70	1.70	1.70	1.70	
50	TC	3.66	3.69	3.72	3.75	3.92	3.92	3.92	3.94	4.06	4.06	4.06	4.09	4.40	4.40	4.40	4.40	
	S/T	0.82	0.95	1.00	1.00	0.63	0.75	0.87	0.99	0.54	0.66	0.77	0.89	0.34	0.44	0.55	0.66	
	PI	1.82	1.82	1.82	1.82	1.83	1.83	1.83	1.83	1.83	1.83	1.83	1.83	1.85	1.85	1.85	1.85	
825	-15	TC	5.62	5.62	5.68	5.74	5.90	5.90	5.90	5.96	6.06	6.06	6.06	6.06	6.43	6.43	6.43	6.43

	S/T	0.73	0.83	0.98	1.00	0.58	0.67	0.76	0.85	0.50	0.60	0.69	0.78	0.34	0.42	0.51	0.59	
	PI	0.98	0.98	0.98	0.98	0.98	0.98	0.98	0.98	0.98	0.98	0.98	0.98	0.97	0.97	0.97	0.97	
-10	TC	5.59	5.59	5.65	5.71	5.87	5.87	5.87	5.93	6.03	6.03	6.03	6.03	6.40	6.40	6.40	6.40	
	S/T	0.74	0.83	0.99	1.00	0.58	0.67	0.77	0.85	0.50	0.60	0.69	0.79	0.34	0.43	0.51	0.59	
	PI	0.97	0.97	0.97	0.97	0.97	0.97	0.97	0.97	0.98	0.98	0.98	0.98	0.97	0.97	0.97	0.97	
-5	TC	5.56	5.56	5.62	5.67	5.85	5.85	5.85	5.91	6.00	6.00	6.00	6.00	6.39	6.39	6.39	6.39	
	S/T	0.74	0.84	0.99	1.00	0.59	0.67	0.77	0.86	0.51	0.60	0.69	0.79	0.34	0.43	0.52	0.59	
	PI	0.97	0.97	0.97	0.97	0.97	0.97	0.97	0.97	0.98	0.98	0.98	0.98	0.97	0.97	0.97	0.97	
0	TC	5.53	5.53	5.59	5.65	5.83	5.83	5.83	5.88	5.99	5.99	5.99	5.99	6.38	6.38	6.38	6.38	
	S/T	0.74	0.84	1.00	1.00	0.59	0.68	0.77	0.86	0.51	0.61	0.70	0.79	0.34	0.43	0.52	0.60	
	PI	0.97	0.97	0.97	0.97	0.98	0.98	0.98	0.98	0.98	0.98	0.98	0.98	0.98	0.98	0.98	0.98	
5	TC	5.50	5.50	5.56	5.62	5.80	5.80	5.80	5.86	5.97	5.97	5.97	5.97	6.38	6.38	6.38	6.38	
	S/T	0.75	0.85	1.00	1.00	0.59	0.68	0.78	0.87	0.51	0.61	0.70	0.80	0.34	0.43	0.52	0.60	
	PI	0.98	0.98	0.98	0.98	0.98	0.98	0.98	0.98	0.99	0.99	0.99	0.99	0.98	0.98	0.98	0.98	
10	TC	5.47	5.47	5.53	5.58	5.78	5.78	5.78	5.83	5.94	5.94	5.94	5.94	6.36	6.36	6.36	6.36	
	S/T	0.75	0.85	1.00	1.00	0.59	0.68	0.78	0.87	0.51	0.61	0.70	0.80	0.35	0.44	0.52	0.60	
	PI	1.00	1.00	1.00	1.00	1.00	1.00	1.00	1.00	1.00	1.00	1.00	1.00	1.00	1.00	1.00	1.00	
15	TC	5.42	5.42	5.48	5.54	5.74	5.74	5.74	5.80	5.91	5.91	5.91	5.91	6.33	6.33	6.33	6.33	
	S/T	0.76	0.86	0.96	1.00	0.60	0.69	0.79	0.88	0.52	0.62	0.71	0.81	0.35	0.44	0.53	0.61	
	PI	1.02	1.02	1.02	1.02	1.02	1.02	1.02	1.02	1.02	1.02	1.02	1.02	1.02	1.02	1.02	1.02	
20	TC	5.36	5.36	5.42	5.48	5.68	5.68	5.68	5.73	5.85	5.85	5.85	5.85	6.28	6.28	6.28	6.28	
	S/T	0.76	0.86	0.96	1.00	0.60	0.69	0.79	0.88	0.52	0.62	0.71	0.81	0.35	0.44	0.53	0.61	
	PI	1.06	1.06	1.06	1.06	1.06	1.06	1.06	1.06	1.06	1.06	1.06	1.06	1.05	1.05	1.05	1.05	
25	TC	5.10	5.10	5.16	5.22	5.42	5.42	5.42	5.48	5.59	5.59	5.59	5.59	6.02	6.02	6.02	6.02	
	S/T	0.77	0.88	0.98	1.00	0.60	0.70	0.81	0.90	0.53	0.62	0.72	0.82	0.35	0.44	0.53	0.62	
	PI	1.17	1.17	1.17	1.17	1.17	1.17	1.17	1.17	1.17	1.17	1.17	1.17	1.17	1.17	1.17	1.17	
30	TC	4.87	4.93	4.99	5.05	5.19	5.19	5.19	5.25	5.33	5.33	5.33	5.33	5.76	5.76	5.76	5.76	
	S/T	0.78	0.89	1.00	1.00	0.61	0.72	0.82	0.92	0.53	0.63	0.74	0.84	0.34	0.44	0.54	0.63	
	PI	1.28	1.28	1.28	1.28	1.28	1.28	1.28	1.28	1.28	1.28	1.28	1.28	1.29	1.29	1.29	1.29	
35	TC	4.62	4.67	4.73	4.79	4.93	4.93	4.93	4.99	5.07	5.07	5.16	5.07	5.48	5.48	5.48	5.48	
	S/T	0.80	0.91	1.00	1.00	0.62	0.73	0.84	0.95	0.53	0.64	0.75	0.86	0.34	0.44	0.54	0.64	
	PI	1.40	1.40	1.40	1.40	1.41	1.41	1.41	1.41	1.41	1.41	1.41	1.41	1.41	1.41	1.41	1.41	
40	TC	4.34	4.39	4.43	4.47	4.63	4.63	4.66	4.71	4.77	4.77	4.82	4.80	5.16	5.16	5.16	5.16	
	S/T	0.83	0.96	1.00	1.00	0.63	0.75	0.88	0.99	0.54	0.66	0.78	0.89	0.34	0.45	0.56	0.67	
	PI	1.55	1.55	1.55	1.55	1.56	1.56	1.56	1.56	1.56	1.56	1.56	1.56	1.57	1.57	1.57	1.57	
46	TC	4.03	4.06	4.09	4.12	4.29	4.29	4.34	4.40	4.43	4.43	4.43	4.49	4.80	4.80	4.80	4.80	
	S/T	0.84	0.98	1.00	1.00	0.64	0.77	0.89	1.00	0.55	0.67	0.80	0.91	0.33	0.45	0.56	0.68	
	PI	1.72	1.72	1.72	1.72	1.73	1.73	1.73	1.73	1.74	1.74	1.74	1.74	1.75	1.75	1.75	1.75	
50	TC	3.77	3.80	3.83	3.86	4.03	4.03	4.06	4.09	4.17	4.17	4.17	4.20	4.52	4.52	4.52	4.52	
	S/T	0.87	1.00	1.00	1.00	0.65	0.79	0.92	1.00	0.55	0.69	0.82	0.95	0.33	0.45	0.57	0.91	
	PI	1.87	1.87	1.87	1.87	1.88	1.88	1.88	1.88	1.88	1.88	1.88	1.88	1.90	1.90	1.90	1.90	
932	-15	TC	5.74	5.80	5.86	5.92	6.05	6.05	6.05	6.11	6.20	6.20	6.20	6.20	6.57	6.57	6.57	6.57
		S/T	0.75	0.86	1.00	1.00	0.59	0.70	0.79	0.98	0.51	0.61	0.71	0.81	0.33	0.42	0.52	0.61
		PI	1.00	1.00	1.00	1.00	0.99	0.99	0.99	0.99	1.00	1.00	1.00	1.00	0.99	0.99	0.99	0.99
	-10	TC	5.71	5.77	5.83	5.89	6.02	6.02	6.02	6.08	6.17	6.17	6.17	6.17	6.55	6.55	6.55	6.55
		S/T	0.76	0.86	1.00	1.00	0.59	0.70	0.80	0.98	0.51	0.61	0.72	0.82	0.33	0.43	0.52	0.61
		PI	1.00	1.00	1.00	1.00	0.99	0.99	0.99	0.99	0.99	0.99	0.99	0.99	0.99	0.99	0.99	0.99
	-5	TC	5.67	5.73	5.79	5.85	6.00	6.00	6.00	6.06	6.15	6.15	6.15	6.15	6.53	6.53	6.53	6.53

	S/T	0.76	0.87	1.00	1.00	0.59	0.70	0.80	0.99	0.52	0.61	0.72	0.82	0.33	0.43	0.53	0.61
	PI	1.00	1.00	1.00	1.00	0.99	0.99	0.99	0.99	0.99	0.99	0.99	0.99	0.99	0.99	0.99	0.99
0	TC	5.65	5.71	5.76	5.82	5.97	5.97	5.97	6.03	6.13	6.13	6.13	6.13	6.53	6.53	6.53	6.53
	S/T	0.76	0.87	1.00	1.00	0.60	0.71	0.80	0.99	0.52	0.62	0.73	0.82	0.33	0.43	0.53	0.62
	PI	1.00	1.00	1.00	1.00	0.99	0.99	0.99	0.99	1.00	1.00	1.00	1.00	0.99	0.99	0.99	0.99
5	TC	5.62	5.68	5.74	5.79	5.95	5.95	5.95	6.01	6.11	6.11	6.11	6.11	6.52	6.52	6.52	6.52
	S/T	0.77	0.88	1.00	1.00	0.60	0.71	0.81	1.00	0.52	0.62	0.73	0.83	0.33	0.43	0.53	0.62
	PI	1.01	1.01	1.01	1.01	1.00	1.00	1.00	1.00	1.01	1.01	1.01	1.01	1.00	1.00	1.00	1.00
10	TC	5.58	5.64	5.70	5.76	5.92	5.92	5.92	5.98	6.09	6.09	6.09	6.09	6.51	6.51	6.51	6.51
	S/T	0.77	0.88	1.00	1.00	0.60	0.71	0.81	1.00	0.52	0.62	0.73	0.83	0.34	0.44	0.53	0.62
	PI	1.03	1.03	1.03	1.03	1.02	1.02	1.02	1.02	1.02	1.02	1.02	1.02	1.02	1.02	1.02	1.02
15	TC	5.54	5.60	5.65	5.71	5.88	5.88	5.88	5.94	6.05	6.05	6.05	6.05	6.48	6.48	6.48	6.48
	S/T	0.78	0.89	1.00	1.00	0.61	0.72	0.82	0.93	0.53	0.63	0.74	0.84	0.34	0.44	0.54	0.63
	PI	1.05	1.05	1.05	1.05	1.04	1.04	1.04	1.04	1.04	1.04	1.04	1.04	1.04	1.04	1.04	1.04
20	TC	5.48	5.53	5.59	5.65	5.82	5.82	5.82	5.88	5.99	5.99	5.99	5.99	6.42	6.42	6.42	6.42
	S/T	0.78	0.89	1.00	1.00	0.61	0.72	0.82	0.93	0.53	0.63	0.74	0.84	0.34	0.44	0.54	0.63
	PI	1.09	1.09	1.09	1.09	1.08	1.08	1.08	1.08	1.08	1.08	1.08	1.08	1.07	1.07	1.07	1.07
25	TC	5.22	5.28	5.33	5.39	5.56	5.56	5.56	5.62	5.73	5.73	5.73	5.73	6.16	6.16	6.16	6.16
	S/T	0.80	0.91	1.00	1.00	0.62	0.73	0.84	0.95	0.53	0.64	0.75	0.86	0.34	0.44	0.54	0.64
	PI	1.20	1.20	1.20	1.20	1.20	1.20	1.20	1.20	1.20	1.20	1.20	1.20	1.20	1.20	1.20	1.20
30	TC	4.99	5.05	5.10	5.16	5.30	5.30	5.30	5.36	5.45	5.45	5.45	5.45	5.88	5.88	5.88	5.88
	S/T	0.81	0.93	1.00	1.00	0.62	0.74	0.86	0.97	0.54	0.65	0.77	0.88	0.34	0.44	0.55	0.66
	PI	1.30	1.30	1.30	1.30	1.31	1.31	1.31	1.31	1.31	1.31	1.31	1.31	1.31	1.31	1.31	1.31
35	TC	4.73	4.79	4.85	4.90	5.05	5.05	5.05	5.10	5.19	5.19	5.28	5.33	5.59	5.59	5.59	5.59
	S/T	0.83	0.96	1.00	1.00	0.63	0.76	0.88	1.00	0.54	0.66	0.78	0.89	0.33	0.45	0.56	0.67
	PI	1.43	1.43	1.43	1.43	1.43	1.43	1.43	1.43	1.44	1.44	1.44	1.44	1.45	1.45	1.45	1.45
40	TC	4.44	4.49	4.53	4.58	4.74	4.74	4.77	4.83	4.89	4.89	4.93	4.99	5.27	5.27	5.27	5.27
	S/T	0.87	1.00	1.00	1.00	0.65	0.79	0.92	1.00	0.55	0.69	0.82	0.94	0.33	0.45	0.57	0.90
	PI	1.58	1.58	1.58	1.58	1.59	1.59	1.59	1.59	1.59	1.59	1.59	1.59	1.61	1.61	1.61	1.61
46	TC	4.12	4.14	4.17	4.20	4.40	4.40	4.46	4.52	4.54	4.54	4.54	4.60	4.92	4.92	4.92	4.92
	S/T	0.88	1.00	1.00	1.00	0.66	0.80	0.94	1.00	0.56	0.70	0.83	0.96	0.33	0.45	0.58	0.92
	PI	1.76	1.76	1.76	1.76	1.77	1.77	1.77	1.77	1.77	1.77	1.77	1.77	1.79	1.79	1.79	1.79
50	TC	3.86	3.89	3.92	3.94	4.12	4.12	4.14	4.17	4.26	4.26	4.26	4.29	4.63	4.63	4.63	4.63
	S/T	0.91	1.00	1.00	1.00	0.68	0.83	0.97	1.00	0.57	0.71	0.86	1.00	0.32	0.46	0.59	0.97
	PI	1.91	1.91	1.91	1.91	1.92	1.92	1.92	1.92	1.92	1.92	1.92	1.92	1.94	1.94	1.94	1.94

YFJE24BZTMC MORX/YFKE24BZTMC MORX

INDOOR AIR FLOW (CMH)	OUTDOOR DB (°C)	ID WB (°C)	16.0				18.0				19.0				22.0				
		ID DB (°C)	23.0	25.0	27.0	29.0	23.0	25.0	27.0	29.0	23.0	25.0	27.0	29.0	23.0	25.0	27.0	29.0	
1017	-15	TC	7.35	7.34	7.40	7.46	7.73	7.88	7.88	7.97	7.93	7.93	7.93	7.93	8.40	8.40	8.40	8.40	
		S/T	0.71	0.81	0.91	0.97	0.57	0.66	0.74	0.84	0.50	0.59	0.68	0.76	0.34	0.42	0.50	0.58	
		PI	1.29	1.29	1.29	1.29	1.28	1.28	1.28	1.28	1.28	1.28	1.28	1.28	1.28	1.28	1.28	1.28	1.28
	-10	TC	7.31	7.30	7.36	7.42	7.69	7.84	7.84	7.93	7.89	7.89	7.89	7.89	8.37	8.37	8.37	8.37	
		S/T	0.72	0.82	0.91	0.97	0.57	0.66	0.75	0.84	0.50	0.59	0.68	0.77	0.34	0.43	0.50	0.58	
		PI	1.28	1.28	1.28	1.28	1.28	1.28	1.28	1.28	1.28	1.28	1.28	1.28	1.28	1.28	1.28	1.28	1.28
	-5	TC	7.26	7.26	7.32	7.38	7.66	7.81	7.81	7.90	7.86	7.86	7.86	7.86	8.35	8.35	8.35	8.35	
		S/T	0.72	0.82	0.92	0.98	0.58	0.67	0.75	0.85	0.51	0.59	0.68	0.77	0.34	0.43	0.51	0.59	
		PI	1.28	1.28	1.28	1.28	1.28	1.28	1.28	1.28	1.28	1.28	1.28	1.28	1.28	1.28	1.28	1.28	1.28
	0	TC	7.23	7.22	7.28	7.34	7.63	7.78	7.78	7.87	7.84	7.84	7.84	7.84	8.34	8.34	8.34	8.34	
		S/T	0.73	0.82	0.92	0.98	0.58	0.67	0.75	0.85	0.51	0.60	0.69	0.77	0.34	0.43	0.51	0.59	
		PI	1.29	1.29	1.29	1.29	1.28	1.28	1.28	1.28	1.29	1.29	1.29	1.29	1.29	1.29	1.29	1.29	1.29
	5	TC	7.19	7.18	7.24	7.30	7.60	7.75	7.75	7.84	7.82	7.82	7.82	7.82	8.34	8.34	8.34	8.34	
		S/T	0.73	0.83	0.93	0.99	0.58	0.67	0.76	0.86	0.51	0.60	0.69	0.78	0.34	0.43	0.51	0.59	
		PI	1.30	1.30	1.30	1.30	1.29	1.29	1.29	1.29	1.30	1.30	1.30	1.30	1.30	1.30	1.30	1.30	1.30
	10	TC	7.15	7.14	7.20	7.26	7.56	7.71	7.71	7.80	7.79	7.79	7.79	7.79	8.31	8.31	8.31	8.31	
		S/T	0.73	0.83	0.93	0.99	0.58	0.68	0.76	0.86	0.51	0.60	0.69	0.78	0.35	0.44	0.51	0.59	
		PI	1.32	1.32	1.32	1.32	1.31	1.31	1.31	1.31	1.32	1.32	1.32	1.32	1.31	1.31	1.31	1.31	
	15	TC	7.09	7.08	7.14	7.20	7.51	7.66	7.66	7.75	7.74	7.74	7.74	7.74	8.28	8.28	8.28	8.28	
		S/T	0.74	0.84	0.94	1.00	0.59	0.68	0.77	0.87	0.52	0.61	0.70	0.79	0.35	0.44	0.52	0.60	
		PI	1.35	1.35	1.35	1.35	1.35	1.35	1.35	1.35	1.35	1.35	1.35	1.35	1.34	1.34	1.34	1.34	
	20	TC	7.01	7.00	7.06	7.12	7.43	7.43	7.43	7.43	7.66	7.66	7.66	7.66	8.21	8.21	8.21	8.21	
		S/T	0.74	0.84	0.94	1.00	0.59	0.68	0.77	0.87	0.52	0.61	0.70	0.79	0.35	0.44	0.52	0.60	
		PI	1.40	1.40	1.40	1.40	1.39	1.39	1.39	1.39	1.39	1.39	1.39	1.39	1.38	1.38	1.38	1.38	
	25	TC	6.69	6.69	6.74	6.80	7.09	7.09	7.09	7.09	7.32	7.32	7.32	7.32	7.86	7.86	7.86	7.86	
		S/T	0.75	0.86	0.95	1.00	0.60	0.69	0.79	0.88	0.52	0.61	0.71	0.80	0.35	0.44	0.52	0.61	
		PI	1.55	1.55	1.55	1.55	1.54	1.54	1.54	1.54	1.54	1.54	1.54	1.54	1.55	1.55	1.55	1.55	
	30	TC	6.37	6.37	6.43	6.49	6.77	6.77	6.77	6.83	6.97	6.97	6.97	6.97	7.52	7.52	7.52	7.52	
		S/T	0.77	0.87	0.98	1.00	0.60	0.70	0.80	0.90	0.52	0.62	0.72	0.82	0.35	0.44	0.53	0.62	
		PI	1.69	1.69	1.69	1.69	1.69	1.69	1.69	1.69	1.69	1.69	1.69	1.69	1.70	1.70	1.70	1.70	
	35	TC	6.06	6.11	6.17	6.23	6.43	6.43	6.43	6.49	6.63	6.63	6.74	6.63	7.17	7.17	7.17	7.17	
		S/T	0.78	0.89	1.00	1.00	0.61	0.71	0.82	0.92	0.53	0.63	0.73	0.84	0.34	0.44	0.53	0.63	
		PI	1.85	1.85	1.85	1.85	1.85	1.85	1.85	1.85	1.86	1.86	1.86	1.86	1.87	1.87	1.87	1.87	
	40	TC	5.71	5.77	5.83	5.89	6.07	6.07	6.07	6.13	6.27	6.27	6.34	6.30	6.78	6.78	6.78	6.78	
		S/T	0.81	0.93	1.00	1.00	0.62	0.74	0.86	0.97	0.54	0.65	0.76	0.87	0.34	0.44	0.55	0.65	
		PI	2.04	2.04	2.04	2.04	2.05	2.05	2.05	2.05	2.05	2.05	2.05	2.05	2.07	2.07	2.07	2.07	
	46	TC	5.29	5.35	5.40	5.46	5.63	5.63	5.63	5.69	5.84	5.84	5.84	5.89	6.30	6.30	6.30	6.30	
		S/T	0.82	0.95	1.00	1.00	0.63	0.75	0.87	0.99	0.54	0.66	0.77	0.89	0.34	0.44	0.55	0.66	
		PI	2.27	2.27	2.27	2.27	2.28	2.28	2.28	2.28	2.28	2.28	2.28	2.28	2.30	2.30	2.30	2.30	
	50	TC	4.94	5.00	5.06	5.12	5.29	5.29	5.35	5.40	5.49	5.49	5.49	5.55	5.95	5.95	5.95	5.95	
		S/T	0.85	0.98	1.00	1.00	0.64	0.77	0.89	1.00	0.55	0.67	0.80	0.91	0.33	0.45	0.56	0.68	
		PI	2.46	2.46	2.46	2.46	2.47	2.47	2.47	2.47	2.47	2.47	2.47	2.47	2.49	2.49	2.49	2.49	
	1204	-15	TC	7.50	7.56	7.65	7.74	7.88	7.88	7.88	7.97	8.09	8.09	8.09	8.09	8.58	8.58	8.58	8.58
			S/T	0.75	0.86	0.98	1.00	0.59	0.70	0.79	0.89	0.51	0.61	0.71	0.81	0.33	0.42	0.52	0.61

		PI	1.32	1.32	1.32	1.32	1.31	1.31	1.31	1.31	1.31	1.31	1.31	1.31	1.31	1.31	1.31		
-10		TC	7.45	7.51	7.60	7.69	7.84	7.84	7.84	7.93	8.05	8.05	8.05	8.05	8.55	8.55	8.55	8.55	
		S/T	0.76	0.86	0.99	1.00	0.59	0.70	0.80	0.89	0.51	0.61	0.72	0.82	0.33	0.43	0.52	0.61	
		PI	1.31	1.31	1.31	1.31	1.31	1.31	1.31	1.31	1.31	1.31	1.31	1.31	1.31	1.31	1.31	1.31	
-5		TC	7.41	7.47	7.56	7.65	7.81	7.81	7.81	7.90	8.02	8.02	8.02	8.02	8.53	8.53	8.53	8.53	
		S/T	0.76	0.87	0.99	1.00	0.59	0.70	0.80	0.90	0.52	0.61	0.72	0.82	0.33	0.43	0.53	0.61	
		PI	1.31	1.31	1.31	1.31	1.31	1.31	1.31	1.31	1.31	1.31	1.31	1.31	1.31	1.31	1.31	1.31	
0		TC	7.37	7.43	7.52	7.61	7.78	7.78	7.78	7.87	7.99	7.99	7.99	7.99	8.52	8.52	8.52	8.52	
		S/T	0.76	0.87	1.00	1.00	0.60	0.71	0.80	0.90	0.52	0.62	0.73	0.82	0.33	0.43	0.53	0.62	
		PI	1.32	1.32	1.32	1.32	1.31	1.31	1.31	1.31	1.31	1.31	1.31	1.31	1.31	1.31	1.31	1.31	
5		TC	7.33	7.39	7.48	7.57	7.75	7.75	7.75	7.84	7.97	7.97	7.97	7.97	8.51	8.51	8.51	8.51	
		S/T	0.77	0.88	1.00	1.00	0.60	0.71	0.81	0.91	0.52	0.62	0.73	0.83	0.33	0.43	0.53	0.62	
		PI	1.33	1.33	1.33	1.33	1.32	1.32	1.32	1.32	1.33	1.33	1.33	1.33	1.32	1.32	1.32	1.32	
10		TC	7.29	7.35	7.44	7.52	7.71	7.71	7.71	7.80	7.93	7.93	7.93	7.93	8.49	8.49	8.49	8.49	
		S/T	0.77	0.88	1.00	1.00	0.60	0.71	0.81	0.91	0.52	0.62	0.73	0.83	0.34	0.44	0.53	0.62	
		PI	1.35	1.35	1.35	1.35	1.34	1.34	1.34	1.34	1.34	1.34	1.34	1.34	1.34	1.34	1.34	1.34	
15		TC	7.23	7.29	7.38	7.46	7.66	7.66	7.66	7.75	7.89	7.89	7.89	7.89	8.46	8.46	8.46	8.46	
		S/T	0.78	0.89	1.00	1.00	0.61	0.72	0.82	0.92	0.53	0.63	0.74	0.84	0.34	0.44	0.54	0.63	
		PI	1.38	1.38	1.38	1.38	1.37	1.37	1.37	1.37	1.38	1.38	1.38	1.38	1.37	1.37	1.37	1.37	
20		TC	7.15	7.21	7.29	7.38	7.58	7.58	7.58	7.67	7.81	7.81	7.81	7.81	8.38	8.38	8.38	8.38	
		S/T	0.78	0.89	1.00	1.00	0.61	0.72	0.82	0.92	0.53	0.63	0.74	0.84	0.34	0.44	0.54	0.63	
		PI	1.43	1.43	1.43	1.43	1.42	1.42	1.42	1.42	1.42	1.42	1.42	1.42	1.41	1.41	1.41	1.41	
25		TC	6.83	6.89	6.95	7.01	7.26	7.26	7.26	7.35	7.46	7.46	7.46	7.46	8.04	8.04	8.04	8.04	
		S/T	0.79	0.91	1.00	1.00	0.62	0.73	0.84	0.94	0.53	0.64	0.75	0.86	0.34	0.44	0.54	0.64	
		PI	1.58	1.58	1.58	1.58	1.58	1.58	1.58	1.58	1.58	1.58	1.58	1.58	1.58	1.58	1.58	1.58	
30		TC	6.52	6.57	6.63	6.69	6.92	6.92	6.92	6.98	7.12	7.12	7.12	7.12	7.69	7.69	7.69	7.69	
		S/T	0.81	0.93	1.00	1.00	0.62	0.74	0.86	0.97	0.54	0.65	0.76	0.88	0.34	0.44	0.55	0.65	
		PI	1.72	1.72	1.72	1.72	1.73	1.73	1.73	1.73	1.73	1.73	1.73	1.73	1.73	1.73	1.73	1.73	
35		TC	6.17	6.23	6.29	6.34	6.57	6.57	6.57	6.63	6.78	6.78	6.89	6.95	7.32	7.32	7.32	7.32	
		S/T	0.83	0.95	1.00	1.00	0.63	0.75	0.88	1.00	0.54	0.66	0.77	0.89	0.34	0.45	0.56	0.67	
		PI	1.89	1.89	1.89	1.89	1.89	1.89	1.89	1.89	1.90	1.90	1.90	1.90	1.90	1.90	1.90	1.90	
40		TC	5.83	5.89	5.95	6.00	6.21	6.21	6.23	6.29	6.41	6.41	6.47	6.53	6.93	6.93	6.93	6.93	
		S/T	0.86	1.00	1.00	1.00	0.65	0.78	0.91	1.00	0.55	0.68	0.81	0.94	0.33	0.45	0.57	0.69	
		PI	2.08	2.08	2.08	2.08	2.09	2.09	2.09	2.09	2.10	2.10	2.10	2.10	2.10	2.10	2.10	2.10	
46		TC	5.41	5.46	5.52	5.58	5.75	5.75	5.81	5.87	5.95	5.95	5.95	6.01	6.44	6.44	6.44	6.44	
		S/T	0.88	1.00	1.00	1.00	0.66	0.80	0.94	1.00	0.56	0.69	0.83	0.96	0.33	0.45	0.58	0.70	
		PI	2.31	2.31	2.31	2.31	2.33	2.33	2.33	2.33	2.33	2.33	2.33	2.33	2.35	2.35	2.35	2.35	
50		TC	5.06	5.12	5.18	5.23	5.41	5.41	5.46	5.52	5.61	5.61	5.61	5.67	6.07	6.07	6.07	6.07	
		S/T	0.90	1.00	1.00	1.00	0.67	0.82	0.97	1.00	0.57	0.71	0.85	0.99	0.32	0.46	0.59	0.91	
		PI	2.51	2.51	2.51	2.51	2.52	2.52	2.52	2.52	2.53	2.53	2.53	2.53	2.55	2.55	2.55	2.55	
1290	-15		TC	7.68	7.77	7.86	7.95	8.06	8.06	8.06	8.15	8.26	8.26	8.26	8.26	8.79	8.79	8.79	8.79
			S/T	0.76	0.88	1.00	1.00	0.60	0.70	0.81	0.98	0.51	0.62	0.72	0.83	0.33	0.42	0.52	0.62
			PI	1.35	1.35	1.35	1.35	1.34	1.34	1.34	1.34	1.34	1.34	1.34	1.34	1.33	1.33	1.33	1.33
	-10		TC	7.63	7.72	7.81	7.90	8.02	8.02	8.02	8.10	8.22	8.22	8.22	8.22	8.76	8.76	8.76	8.76
			S/T	0.77	0.88	1.00	1.00	0.60	0.71	0.82	0.98	0.51	0.62	0.73	0.83	0.33	0.43	0.52	0.62
			PI	1.34	1.34	1.34	1.34	1.33	1.33	1.33	1.33	1.34	1.34	1.34	1.34	1.34	1.34	1.34	1.34
	-5		TC	7.59	7.68	7.77	7.85	7.99	7.99	7.99	8.07	8.19	8.19	8.19	8.19	8.73	8.73	8.73	8.73
			S/T	0.77	0.89	1.00	1.00	0.60	0.71	0.82	0.99	0.52	0.62	0.73	0.84	0.33	0.43	0.53	0.62

	PI	1.34	1.34	1.34	1.34	1.33	1.33	1.33	1.33	1.34	1.34	1.34	1.34	1.34	1.34	1.34	1.34
0	TC	7.55	7.64	7.73	7.82	7.96	7.96	7.96	8.04	8.17	8.17	8.17	8.17	8.73	8.73	8.73	8.73
	S/T	0.77	0.89	1.00	1.00	0.61	0.72	0.82	0.99	0.52	0.63	0.74	0.84	0.33	0.43	0.53	0.63
	PI	1.34	1.34	1.34	1.34	1.34	1.34	1.34	1.34	1.34	1.34	1.34	1.34	1.34	1.34	1.34	1.34
5	TC	7.51	7.60	7.69	7.78	7.93	7.93	7.93	8.01	8.14	8.14	8.14	8.14	8.72	8.72	8.72	8.72
	S/T	0.78	0.90	1.00	1.00	0.61	0.72	0.83	1.00	0.52	0.63	0.74	0.85	0.33	0.43	0.53	0.63
	PI	1.35	1.35	1.35	1.35	1.35	1.35	1.35	1.35	1.35	1.35	1.35	1.35	1.35	1.35	1.35	1.35
10	TC	7.47	7.55	7.64	7.73	7.89	7.89	7.89	7.98	8.11	8.11	8.11	8.11	8.70	8.70	8.70	8.70
	S/T	0.78	0.90	1.00	1.00	0.61	0.72	0.83	1.00	0.52	0.63	0.74	0.85	0.34	0.44	0.53	0.63
	PI	1.38	1.38	1.38	1.38	1.37	1.37	1.37	1.37	1.37	1.37	1.37	1.37	1.37	1.37	1.37	1.37
15	TC	7.40	7.49	7.58	7.67	7.83	7.83	7.83	7.92	8.06	8.06	8.06	8.06	8.66	8.66	8.66	8.66
	S/T	0.79	0.91	1.00	1.00	0.62	0.73	0.84	0.95	0.53	0.64	0.75	0.86	0.34	0.44	0.54	0.64
	PI	1.41	1.41	1.41	1.41	1.40	1.40	1.40	1.40	1.40	1.40	1.40	1.40	1.40	1.40	1.40	1.40
20	TC	7.32	7.41	7.49	7.58	7.75	7.75	7.75	7.84	7.98	7.98	7.98	7.98	8.58	8.58	8.58	8.58
	S/T	0.79	0.91	1.00	1.00	0.62	0.73	0.84	0.95	0.53	0.64	0.75	0.86	0.34	0.44	0.54	0.64
	PI	1.46	1.46	1.46	1.46	1.45	1.45	1.45	1.45	1.45	1.45	1.45	1.45	1.44	1.44	1.44	1.44
25	TC	6.98	7.03	7.09	7.15	7.41	7.41	7.41	7.49	7.64	7.64	7.64	7.64	8.21	8.21	8.21	8.21
	S/T	0.81	0.93	1.00	1.00	0.62	0.74	0.86	0.97	0.54	0.65	0.76	0.88	0.34	0.44	0.55	0.65
	PI	1.61	1.61	1.61	1.61	1.61	1.61	1.61	1.61	1.61	1.61	1.61	1.61	1.61	1.61	1.61	1.61
30	TC	6.63	6.69	6.75	6.80	7.06	7.06	7.06	7.12	7.29	7.29	7.29	7.38	7.84	7.84	7.84	7.84
	S/T	0.83	0.95	1.00	1.00	0.63	0.75	0.88	0.99	0.54	0.66	0.78	0.89	0.34	0.45	0.56	0.67
	PI	1.76	1.76	1.76	1.76	1.76	1.76	1.76	1.76	1.76	1.76	1.76	1.76	1.77	1.77	1.77	1.77
35	TC	6.32	6.37	6.43	6.49	6.72	6.72	6.78	6.83	6.92	6.92	7.03	7.09	7.46	7.46	7.46	7.46
	S/T	0.84	0.98	1.00	1.00	0.64	0.77	0.89	1.00	0.55	0.67	0.79	0.91	0.33	0.45	0.56	0.68
	PI	1.93	1.93	1.93	1.93	1.93	1.93	1.93	1.93	1.94	1.94	1.94	1.94	1.95	1.95	1.95	1.95
40	TC	5.96	6.02	6.08	6.13	6.35	6.35	6.41	6.47	6.54	6.54	6.60	6.66	7.07	7.07	7.07	7.07
	S/T	0.88	1.00	1.00	1.00	0.66	0.80	0.94	1.00	0.56	0.70	0.83	0.96	0.33	0.45	0.58	0.90
	PI	2.13	2.13	2.13	2.13	2.13	2.13	2.13	2.13	2.14	2.14	2.14	2.14	2.15	2.15	2.15	2.15
46	TC	5.52	5.58	5.64	5.69	5.90	5.90	5.95	6.01	6.07	6.07	6.07	6.13	6.59	6.59	6.59	6.59
	S/T	0.90	1.00	1.00	1.00	0.67	0.82	0.96	1.00	0.56	0.71	0.85	0.99	0.32	0.46	0.59	0.92
	PI	2.36	2.36	2.36	2.36	2.37	2.37	2.37	2.37	2.38	2.38	2.38	2.38	2.40	2.40	2.40	2.40
50	TC	5.18	5.23	5.29	5.35	5.52	5.52	5.58	5.64	5.72	5.72	5.72	5.78	6.18	6.18	6.18	6.18
	S/T	0.93	1.00	1.00	1.00	0.68	0.84	0.99	1.00	0.57	0.72	0.88	1.00	0.32	0.46	0.60	0.97
	PI	2.56	2.56	2.56	2.56	2.57	2.57	2.57	2.57	2.58	2.58	2.58	2.58	2.60	2.60	2.60	2.60

YKJE12BZTMCMORX/YEKE12BZTMCMORX

INDOOR AIR FLOW (CMH)	OUTDOOR DB (°C)	ID WB(°C)	16.0				18.0				19.0				22.0			
		ID DB (°C)	23.0	25.0	27.0	29.0	23.0	25.0	27.0	29.0	23.0	25.0	27.0	29.0	23.0	25.0	27.0	29.0
443	-15	TC	3.71	3.72	3.72	3.75	3.90	3.96	3.96	3.96	4.00	4.00	4.00	4.00	4.25	4.25	4.25	4.25
		S/T	0.70	0.77	0.85	0.93	0.56	0.63	0.71	0.79	0.49	0.57	0.65	0.71	0.35	0.42	0.49	0.56
		PI	0.60	0.59	0.59	0.60	0.60	0.60	0.60	0.60	0.60	0.60	0.60	0.60	0.60	0.60	0.60	0.60
	-10	TC	3.68	3.70	3.70	3.73	3.87	3.93	3.93	3.93	3.98	3.98	3.98	3.98	4.23	4.23	4.23	4.23
		S/T	0.70	0.78	0.85	0.93	0.56	0.64	0.72	0.80	0.49	0.57	0.65	0.72	0.35	0.43	0.49	0.56
		PI	0.59	0.59	0.59	0.59	0.59	0.59	0.59	0.59	0.59	0.59	0.59	0.59	0.60	0.60	0.60	0.60
	-5	TC	3.66	3.67	3.67	3.70	3.86	3.92	3.92	3.92	3.96	3.96	3.96	3.96	4.22	4.22	4.22	4.22
		S/T	0.70	0.78	0.86	0.94	0.57	0.64	0.72	0.80	0.50	0.58	0.65	0.72	0.35	0.43	0.50	0.57
		PI	0.59	0.59	0.59	0.59	0.59	0.59	0.59	0.59	0.59	0.59	0.59	0.59	0.60	0.60	0.60	0.60
	0	TC	3.64	3.66	3.66	3.68	3.85	3.91	3.91	3.91	3.95	3.95	3.95	3.95	4.22	4.22	4.22	4.22
		S/T	0.71	0.78	0.86	0.94	0.57	0.64	0.73	0.80	0.50	0.58	0.66	0.73	0.35	0.43	0.50	0.57
		PI	0.60	0.59	0.59	0.60	0.60	0.60	0.60	0.60	0.60	0.60	0.60	0.60	0.60	0.60	0.60	0.60
	5	TC	3.62	3.64	3.64	3.67	3.83	3.89	3.89	3.89	3.94	3.94	3.94	3.94	4.21	4.21	4.21	4.21
		S/T	0.71	0.79	0.87	0.95	0.57	0.65	0.73	0.81	0.50	0.58	0.66	0.73	0.35	0.43	0.50	0.57
		PI	0.60	0.60	0.60	0.60	0.60	0.60	0.60	0.60	0.60	0.60	0.60	0.60	0.61	0.61	0.61	0.61
	10	TC	3.60	3.61	3.61	3.64	3.81	3.87	3.87	3.87	3.92	3.92	3.92	3.92	4.20	4.20	4.20	4.20
		S/T	0.71	0.79	0.87	0.95	0.57	0.65	0.73	0.81	0.50	0.58	0.66	0.73	0.36	0.44	0.50	0.57
		PI	0.61	0.61	0.61	0.61	0.61	0.61	0.61	0.61	0.61	0.61	0.61	0.61	0.61	0.61	0.61	0.61
	15	TC	3.57	3.59	3.59	3.61	3.79	3.85	3.85	3.85	3.90	3.90	3.90	3.90	4.19	4.19	4.19	4.19
		S/T	0.72	0.80	0.88	0.96	0.58	0.65	0.74	0.82	0.51	0.59	0.67	0.74	0.36	0.44	0.51	0.58
		PI	0.63	0.62	0.62	0.63	0.62	0.62	0.62	0.62	0.62	0.62	0.62	0.62	0.63	0.63	0.63	0.63
	20	TC	3.53	3.54	3.54	3.57	3.75	3.75	3.75	3.75	3.86	3.86	3.86	3.86	4.15	4.15	4.15	4.15
		S/T	0.72	0.80	0.88	0.96	0.58	0.66	0.74	0.82	0.51	0.59	0.67	0.74	0.36	0.44	0.51	0.58
		PI	0.65	0.65	0.65	0.65	0.65	0.65	0.65	0.65	0.65	0.65	0.65	0.65	0.65	0.65	0.65	0.65
	25	TC	3.37	3.37	3.40	3.43	3.57	3.57	3.57	3.57	3.69	3.69	3.69	3.69	3.98	3.98	3.98	3.98
		S/T	0.72	0.81	0.90	0.98	0.58	0.66	0.75	0.83	0.51	0.60	0.68	0.76	0.36	0.44	0.51	0.59
		PI	0.71	0.71	0.71	0.71	0.71	0.71	0.71	0.71	0.71	0.71	0.71	0.71	0.71	0.71	0.71	0.71
	30	TC	3.20	3.20	3.23	3.26	3.43	3.43	3.43	3.43	3.52	3.52	3.52	3.52	3.80	3.80	3.80	3.80
		S/T	0.73	0.83	0.92	1.00	0.59	0.67	0.76	0.85	0.52	0.60	0.69	0.77	0.36	0.44	0.51	0.59
		PI	0.78	0.78	0.78	0.78	0.78	0.78	0.78	0.78	0.78	0.78	0.78	0.78	0.79	0.79	0.79	0.79
35	TC	3.05	3.05	3.08	3.11	3.26	3.26	3.26	3.26	3.34	3.34	3.40	3.34	3.60	3.60	3.60	3.60	
	S/T	0.74	0.84	0.94	1.00	0.59	0.68	0.77	0.86	0.52	0.61	0.69	0.79	0.35	0.44	0.52	0.60	
	PI	0.85	0.85	0.85	0.85	0.86	0.86	0.86	0.86	0.86	0.86	0.86	0.86	0.86	0.86	0.86	0.86	
40	TC	2.86	2.88	2.91	2.93	3.07	3.07	3.07	3.08	3.15	3.15	3.18	3.15	3.40	3.40	3.40	3.40	
	S/T	0.77	0.88	0.98	1.00	0.60	0.70	0.80	0.90	0.52	0.62	0.72	0.82	0.35	0.44	0.53	0.62	
	PI	0.94	0.94	0.94	0.94	0.95	0.95	0.95	0.95	0.95	0.95	0.95	0.95	0.96	0.96	0.96	0.96	
46	TC	2.64	2.67	2.70	2.73	2.85	2.85	2.85	2.87	2.93	2.93	2.93	2.93	3.16	3.16	3.16	3.16	
	S/T	0.78	0.89	0.99	1.00	0.61	0.71	0.82	0.92	0.53	0.63	0.73	0.83	0.35	0.44	0.53	0.63	
	PI	1.05	1.05	1.05	1.05	1.06	1.06	1.06	1.06	1.06	1.06	1.06	1.06	1.07	1.07	1.07	1.07	
50	TC	2.50	2.53	2.56	2.59	2.67	2.67	2.67	2.70	2.76	2.76	2.76	2.76	2.99	2.99	2.99	2.99	
	S/T	0.80	0.91	1.00	1.00	0.62	0.73	0.84	0.94	0.53	0.64	0.75	0.86	0.34	0.44	0.54	0.64	
	PI	1.14	1.14	1.14	1.14	1.15	1.15	1.15	1.15	1.15	1.15	1.15	1.15	1.16	1.16	1.16	1.16	
525	-15	TC	3.78	3.78	3.81	3.84	3.96	3.96	3.96	3.96	4.06	4.06	4.06	4.06	4.31	4.31	4.31	4.31
		S/T	0.72	0.81	0.98	1.00	0.57	0.66	0.75	0.84	0.50	0.59	0.68	0.76	0.34	0.42	0.50	0.58

		PI	0.61	0.61	0.61	0.61	0.60	0.60	0.60	0.60	0.61	0.61	0.61	0.61	0.61	0.61	0.61
	-10	TC	3.76	3.76	3.79	3.82	3.93	3.93	3.93	3.93	4.04	4.04	4.04	4.04	4.29	4.29	4.29
		S/T	0.73	0.82	0.99	1.00	0.57	0.66	0.76	0.84	0.50	0.59	0.68	0.77	0.34	0.43	0.50
		PI	0.61	0.61	0.61	0.61	0.60	0.60	0.60	0.60	0.60	0.60	0.60	0.60	0.61	0.61	0.61
	-5	TC	3.73	3.73	3.76	3.79	3.92	3.92	3.92	3.92	4.02	4.02	4.02	4.02	4.28	4.28	4.28
		S/T	0.73	0.82	0.99	1.00	0.58	0.66	0.76	0.85	0.51	0.59	0.68	0.77	0.34	0.43	0.51
		PI	0.61	0.61	0.61	0.61	0.60	0.60	0.60	0.60	0.60	0.60	0.60	0.60	0.61	0.61	0.61
	0	TC	3.72	3.72	3.75	3.77	3.91	3.91	3.91	3.91	4.01	4.01	4.01	4.01	4.28	4.28	4.28
		S/T	0.74	0.82	1.00	1.00	0.58	0.67	0.76	0.85	0.51	0.60	0.69	0.77	0.34	0.43	0.51
		PI	0.61	0.61	0.61	0.61	0.60	0.60	0.60	0.60	0.61	0.61	0.61	0.61	0.61	0.61	0.61
	5	TC	3.70	3.70	3.73	3.76	3.89	3.89	3.89	3.89	4.00	4.00	4.00	4.00	4.27	4.27	4.27
		S/T	0.74	0.83	1.00	1.00	0.58	0.67	0.77	0.86	0.51	0.60	0.69	0.78	0.34	0.43	0.51
		PI	0.62	0.62	0.62	0.62	0.61	0.61	0.61	0.61	0.61	0.61	0.61	0.61	0.62	0.62	0.62
	10	TC	3.67	3.67	3.70	3.73	3.87	3.87	3.87	3.87	3.98	3.98	3.98	3.98	4.26	4.26	4.26
		S/T	0.74	0.83	1.00	1.00	0.58	0.67	0.77	0.86	0.51	0.60	0.69	0.78	0.35	0.44	0.51
		PI	0.63	0.63	0.63	0.63	0.62	0.62	0.62	0.62	0.62	0.62	0.62	0.62	0.62	0.62	0.62
	15	TC	3.64	3.64	3.67	3.70	3.85	3.85	3.85	3.85	3.96	3.96	3.96	3.96	4.25	4.25	4.25
		S/T	0.75	0.84	0.94	1.00	0.59	0.68	0.78	0.87	0.52	0.61	0.70	0.79	0.35	0.44	0.52
		PI	0.64	0.64	0.64	0.64	0.63	0.63	0.63	0.63	0.63	0.63	0.63	0.63	0.64	0.64	0.64
	20	TC	3.60	3.60	3.63	3.66	3.81	3.81	3.81	3.81	3.92	3.92	3.92	3.92	4.21	4.21	4.21
		S/T	0.75	0.84	0.94	1.00	0.59	0.68	0.78	0.87	0.52	0.61	0.70	0.79	0.35	0.44	0.52
		PI	0.67	0.67	0.67	0.67	0.66	0.66	0.66	0.66	0.66	0.66	0.66	0.66	0.66	0.66	0.66
	25	TC	3.43	3.43	3.46	3.49	3.63	3.63	3.63	3.66	3.75	3.75	3.75	3.75	4.04	4.04	4.04
		S/T	0.76	0.86	0.96	1.00	0.60	0.69	0.79	0.89	0.52	0.62	0.71	0.80	0.35	0.44	0.52
		PI	0.73	0.73	0.73	0.73	0.73	0.73	0.73	0.73	0.73	0.73	0.73	0.73	0.73	0.73	0.73
	30	TC	3.26	3.26	3.29	3.32	3.49	3.49	3.49	3.52	3.57	3.57	3.57	3.57	3.86	3.86	3.86
		S/T	0.77	0.88	0.98	1.00	0.60	0.70	0.80	0.90	0.53	0.62	0.72	0.82	0.35	0.44	0.53
		PI	0.80	0.80	0.80	0.80	0.80	0.80	0.80	0.80	0.80	0.80	0.80	0.80	0.80	0.80	0.80
	35	TC	3.11	3.14	3.17	3.20	3.32	3.32	3.32	3.34	3.40	3.40	3.46	3.40	3.66	3.66	3.66
		S/T	0.78	0.89	1.00	1.00	0.61	0.72	0.82	0.93	0.53	0.63	0.73	0.84	0.34	0.44	0.54
		PI	0.87	0.87	0.87	0.87	0.88	0.88	0.88	0.88	0.88	0.88	0.88	0.88	0.88	0.88	0.88
	40	TC	2.92	2.95	2.98	3.01	3.11	3.11	3.11	3.14	3.20	3.20	3.23	3.21	3.46	3.46	3.46
		S/T	0.81	0.93	1.00	1.00	0.62	0.74	0.86	0.97	0.54	0.65	0.76	0.88	0.34	0.44	0.55
		PI	0.96	0.96	0.96	0.96	0.96	0.96	0.96	0.96	0.96	0.96	0.96	0.96	0.97	0.97	0.97
	46	TC	2.70	2.73	2.76	2.79	2.88	2.88	2.88	2.90	2.96	2.96	2.96	2.99	3.22	3.22	3.22
		S/T	0.83	0.95	1.00	1.00	0.63	0.75	0.88	0.99	0.54	0.66	0.78	0.89	0.34	0.44	0.55
		PI	1.07	1.07	1.07	1.07	1.07	1.07	1.07	1.07	1.07	1.07	1.07	1.07	1.08	1.08	1.08
	50	TC	2.53	2.56	2.59	2.62	2.70	2.70	2.73	2.76	2.79	2.79	2.79	2.82	3.05	3.05	3.05
		S/T	0.85	0.98	1.00	1.00	0.64	0.77	0.90	1.00	0.55	0.67	0.80	0.92	0.33	0.45	0.56
		PI	1.16	1.16	1.16	1.16	1.16	1.16	1.16	1.16	1.17	1.17	1.17	1.17	1.18	1.18	1.18
644	-15	TC	3.84	3.87	3.90	3.93	4.02	4.02	4.02	4.05	4.12	4.12	4.12	4.12	4.40	4.40	4.40
		S/T	0.77	0.88	1.00	1.00	0.60	0.70	0.81	0.98	0.51	0.62	0.72	0.83	0.33	0.42	0.52
		PI	0.62	0.62	0.62	0.62	0.62	0.62	0.62	0.62	0.62	0.62	0.62	0.62	0.63	0.63	0.63
	-10	TC	3.82	3.85	3.88	3.91	3.99	3.99	3.99	4.02	4.10	4.10	4.10	4.10	4.38	4.38	4.38
		S/T	0.78	0.88	1.00	1.00	0.60	0.71	0.82	0.98	0.51	0.62	0.73	0.83	0.33	0.43	0.52
		PI	0.62	0.62	0.62	0.62	0.62	0.62	0.62	0.62	0.62	0.62	0.62	0.62	0.63	0.63	0.63
	-5	TC	3.79	3.82	3.85	3.88	3.98	3.98	3.98	4.01	4.08	4.08	4.08	4.08	4.37	4.37	4.37
		S/T	0.78	0.89	1.00	1.00	0.60	0.71	0.82	0.99	0.52	0.62	0.73	0.84	0.33	0.43	0.53

	PI	0.62	0.62	0.62	0.62	0.62	0.62	0.62	0.62	0.62	0.62	0.62	0.62	0.63	0.63	0.63	0.63
0	TC	3.77	3.80	3.83	3.86	3.96	3.96	3.96	3.99	4.07	4.07	4.07	4.07	4.37	4.37	4.37	4.37
	S/T	0.78	0.89	1.00	1.00	0.61	0.72	0.82	0.99	0.52	0.63	0.74	0.84	0.33	0.43	0.53	0.63
	PI	0.62	0.62	0.62	0.62	0.62	0.62	0.62	0.62	0.62	0.62	0.62	0.62	0.62	0.63	0.63	0.63
5	TC	3.76	3.79	3.82	3.84	3.95	3.95	3.95	3.98	4.06	4.06	4.06	4.06	4.36	4.36	4.36	4.36
	S/T	0.79	0.90	1.00	1.00	0.61	0.72	0.83	1.00	0.52	0.63	0.74	0.85	0.33	0.43	0.53	0.63
	PI	0.63	0.63	0.63	0.63	0.63	0.63	0.63	0.63	0.63	0.63	0.63	0.63	0.63	0.63	0.63	0.63
10	TC	3.73	3.76	3.79	3.82	3.93	3.93	3.93	3.96	4.04	4.04	4.04	4.04	4.35	4.35	4.35	4.35
	S/T	0.79	0.90	1.00	1.00	0.61	0.72	0.83	1.00	0.52	0.63	0.74	0.85	0.34	0.44	0.53	0.63
	PI	0.64	0.64	0.64	0.64	0.64	0.64	0.64	0.64	0.64	0.64	0.64	0.64	0.64	0.64	0.64	0.64
15	TC	3.70	3.73	3.76	3.79	3.90	3.90	3.90	3.93	4.02	4.02	4.02	4.02	4.33	4.33	4.33	4.33
	S/T	0.80	0.91	1.00	1.00	0.62	0.73	0.84	0.95	0.53	0.64	0.75	0.86	0.34	0.44	0.54	0.64
	PI	0.65	0.65	0.65	0.65	0.65	0.65	0.65	0.65	0.65	0.65	0.65	0.65	0.65	0.66	0.66	0.66
20	TC	3.66	3.69	3.72	3.75	3.86	3.86	3.86	3.89	3.98	3.98	3.98	3.98	4.30	4.30	4.30	4.30
	S/T	0.80	0.91	1.00	1.00	0.62	0.73	0.84	0.95	0.53	0.64	0.75	0.86	0.34	0.44	0.54	0.64
	PI	0.68	0.68	0.68	0.68	0.68	0.68	0.68	0.68	0.68	0.68	0.68	0.68	0.68	0.68	0.68	0.68
25	TC	3.49	3.52	3.55	3.57	3.69	3.69	3.69	3.72	3.81	3.81	3.81	3.81	4.09	4.09	4.09	4.09
	S/T	0.81	0.93	1.00	1.00	0.62	0.74	0.86	0.97	0.54	0.65	0.76	0.88	0.34	0.44	0.55	0.66
	PI	0.74	0.74	0.74	0.74	0.74	0.74	0.74	0.74	0.74	0.74	0.74	0.74	0.74	0.74	0.74	0.74
30	TC	3.32	3.34	3.37	3.40	3.55	3.55	3.55	3.57	3.63	3.63	3.63	3.66	3.92	3.92	3.92	3.92
	S/T	0.83	0.95	1.00	1.00	0.63	0.75	0.88	0.99	0.54	0.66	0.78	0.90	0.34	0.45	0.56	0.67
	PI	0.82	0.82	0.82	0.82	0.82	0.82	0.82	0.82	0.82	0.82	0.82	0.82	0.82	0.82	0.82	0.82
35	TC	3.14	3.17	3.20	3.23	3.37	3.37	3.40	3.43	3.46	3.46	3.52	3.55	3.75	3.75	3.75	3.75
	S/T	0.85	0.98	1.00	1.00	0.64	0.77	0.89	1.00	0.55	0.67	0.79	0.91	0.33	0.45	0.56	0.68
	PI	0.89	0.89	0.89	0.89	0.90	0.90	0.90	0.90	0.90	0.90	0.90	0.90	0.90	0.90	0.90	0.90
40	TC	2.95	2.98	3.01	3.04	3.17	3.17	3.20	3.23	3.25	3.25	3.29	3.31	3.53	3.53	3.53	3.53
	S/T	0.88	1.00	1.00	1.00	0.66	0.80	0.94	1.00	0.56	0.69	0.83	0.96	0.33	0.45	0.58	0.90
	PI	0.98	0.98	0.98	0.98	0.99	0.99	0.99	0.99	0.99	0.99	0.99	0.99	0.99	0.99	0.99	0.99
46	TC	2.73	2.76	2.79	2.82	2.93	2.93	2.96	2.99	3.02	3.02	3.02	3.05	3.28	3.28	3.28	3.28
	S/T	0.90	1.00	1.00	1.00	0.67	0.82	0.96	1.00	0.56	0.71	0.85	0.99	0.32	0.46	0.59	0.92
	PI	1.09	1.09	1.09	1.09	1.10	1.10	1.10	1.10	1.10	1.10	1.10	1.10	1.11	1.11	1.11	1.11
50	TC	2.59	2.62	2.65	2.67	2.76	2.76	2.79	2.82	2.85	2.85	2.85	2.88	3.08	3.08	3.08	3.08
	S/T	0.93	1.00	1.00	1.00	0.68	0.84	0.99	1.00	0.57	0.73	0.88	1.00	0.32	0.46	0.60	0.97
	PI	1.18	1.18	1.18	1.18	1.19	1.19	1.19	1.19	1.19	1.19	1.19	1.19	1.20	1.20	1.20	1.20

YKJE24BZTMCMORX/YKKE24BZTMCMORX

INDOOR AIR FLOW (CMH)	OUTDOOR DB (°C)	ID WB(°C)	16.0				18.0				19.0				22.0			
		ID DB (°C)	23.0	25.0	27.0	29.0	23.0	25.0	27.0	29.0	23.0	25.0	27.0	29.0	23.0	25.0	27.0	29.0
1000	-15	TC	7.35	7.34	7.40	7.46	7.73	7.88	7.88	7.97	7.93	7.93	7.93	7.93	8.40	8.40	8.40	8.40
		S/T	0.71	0.81	0.90	0.97	0.57	0.66	0.74	0.83	0.50	0.59	0.67	0.75	0.35	0.42	0.50	0.58
		PI	1.30	1.30	1.30	1.30	1.29	1.29	1.29	1.29	1.29	1.29	1.29	1.29	1.29	1.29	1.29	1.29
	-10	TC	7.31	7.30	7.36	7.42	7.69	7.84	7.84	7.93	7.89	7.89	7.89	7.89	8.37	8.37	8.37	8.37
		S/T	0.72	0.82	0.90	0.97	0.57	0.66	0.75	0.83	0.50	0.59	0.67	0.76	0.35	0.43	0.50	0.58
		PI	1.29	1.29	1.29	1.29	1.29	1.29	1.29	1.29	1.29	1.29	1.29	1.29	1.29	1.29	1.29	1.29
	-5	TC	7.26	7.26	7.32	7.38	7.66	7.81	7.81	7.90	7.86	7.86	7.86	7.86	8.35	8.35	8.35	8.35
		S/T	0.72	0.82	0.91	0.98	0.58	0.66	0.75	0.84	0.51	0.59	0.67	0.76	0.35	0.43	0.51	0.59
		PI	1.29	1.29	1.29	1.29	1.29	1.29	1.29	1.29	1.29	1.29	1.29	1.29	1.29	1.29	1.29	1.29
	0	TC	7.23	7.22	7.28	7.34	7.63	7.78	7.78	7.87	7.84	7.84	7.84	7.84	8.34	8.34	8.34	8.34
		S/T	0.73	0.82	0.91	0.98	0.58	0.67	0.75	0.84	0.51	0.60	0.68	0.76	0.35	0.43	0.51	0.59
		PI	1.29	1.30	1.30	1.29	1.29	1.29	1.29	1.29	1.30	1.30	1.30	1.30	1.30	1.30	1.30	1.30
	5	TC	7.19	7.18	7.24	7.30	7.60	7.75	7.75	7.84	7.82	7.82	7.82	7.82	8.34	8.34	8.34	8.34
		S/T	0.73	0.83	0.92	0.99	0.58	0.67	0.76	0.85	0.51	0.60	0.68	0.77	0.35	0.43	0.51	0.59
		PI	1.31	1.31	1.31	1.31	1.30	1.30	1.30	1.30	1.31	1.31	1.31	1.31	1.31	1.31	1.31	1.31
	10	TC	7.15	7.14	7.20	7.26	7.56	7.71	7.71	7.80	7.79	7.79	7.79	7.79	8.31	8.31	8.31	8.31
		S/T	0.73	0.83	0.92	0.99	0.58	0.67	0.76	0.85	0.51	0.60	0.68	0.77	0.36	0.44	0.51	0.59
		PI	1.33	1.33	1.33	1.33	1.32	1.32	1.32	1.32	1.33	1.33	1.33	1.33	1.32	1.32	1.32	1.32
	15	TC	7.09	7.08	7.14	7.20	7.51	7.66	7.66	7.75	7.74	7.74	7.74	7.74	8.28	8.28	8.28	8.28
		S/T	0.74	0.84	0.93	1.00	0.59	0.68	0.77	0.86	0.52	0.61	0.69	0.78	0.36	0.44	0.52	0.60
		PI	1.36	1.36	1.36	1.36	1.35	1.35	1.35	1.35	1.36	1.36	1.36	1.36	1.35	1.35	1.35	1.35
	20	TC	7.01	7.00	7.06	7.12	7.43	7.43	7.43	7.43	7.66	7.66	7.66	7.66	8.21	8.21	8.21	8.21
		S/T	0.74	0.84	0.93	1.00	0.59	0.68	0.77	0.86	0.52	0.61	0.69	0.78	0.36	0.44	0.52	0.60
		PI	1.41	1.41	1.41	1.41	1.40	1.40	1.40	1.40	1.40	1.40	1.40	1.40	1.39	1.39	1.39	1.39
	25	TC	6.69	6.69	6.74	6.80	7.09	7.09	7.09	7.09	7.32	7.32	7.32	7.32	7.86	7.86	7.86	7.86
		S/T	0.75	0.85	0.95	1.00	0.59	0.69	0.78	0.88	0.52	0.61	0.70	0.79	0.35	0.44	0.52	0.61
		PI	1.55	1.55	1.55	1.55	1.55	1.55	1.55	1.55	1.55	1.55	1.55	1.55	1.55	1.55	1.55	1.55
	30	TC	6.37	6.37	6.43	6.49	6.77	6.77	6.77	6.83	6.97	6.97	6.97	6.97	7.52	7.52	7.52	7.52
		S/T	0.76	0.87	0.97	1.00	0.60	0.70	0.80	0.89	0.52	0.62	0.72	0.81	0.35	0.44	0.53	0.62
		PI	1.69	1.69	1.69	1.69	1.70	1.70	1.70	1.70	1.70	1.70	1.70	1.70	1.71	1.71	1.71	1.71
35	TC	6.06	6.11	6.17	6.23	6.43	6.43	6.43	6.49	6.63	6.63	6.74	6.63	7.17	7.17	7.17	7.17	
	S/T	0.78	0.88	0.99	1.00	0.61	0.71	0.81	0.91	0.53	0.63	0.72	0.83	0.35	0.44	0.53	0.63	
	PI	1.86	1.86	1.86	1.86	1.86	1.86	1.86	1.86	1.87	1.87	1.87	1.87	1.88	1.88	1.88	1.88	
40	TC	5.66	5.71	5.77	5.83	6.01	6.01	6.01	6.07	6.21	6.21	6.28	6.21	6.72	6.72	6.72	6.72	
	S/T	0.80	0.92	1.00	1.00	0.62	0.73	0.85	0.96	0.53	0.64	0.76	0.87	0.34	0.44	0.54	0.65	
	PI	2.05	2.05	2.05	2.05	2.06	2.06	2.06	2.06	2.06	2.06	2.06	2.06	2.08	2.08	2.08	2.08	
46	TC	5.24	5.29	5.35	5.41	5.58	5.58	5.58	5.64	5.78	5.78	5.78	5.78	6.23	6.23	6.23	6.23	
	S/T	0.82	0.94	1.00	1.00	0.63	0.75	0.86	0.98	0.54	0.65	0.77	0.88	0.34	0.44	0.55	0.66	
	PI	2.28	2.28	2.28	2.28	2.29	2.29	2.29	2.29	2.29	2.29	2.29	2.29	2.31	2.31	2.31	2.31	
50	TC	4.90	4.95	5.01	5.07	5.24	5.24	5.29	5.35	5.44	5.44	5.44	5.49	5.89	5.89	5.89	5.89	
	S/T	0.84	0.97	1.00	1.00	0.64	0.76	0.89	1.00	0.54	0.67	0.79	0.91	0.33	0.45	0.56	0.67	
	PI	2.47	2.47	2.47	2.47	2.48	2.48	2.48	2.48	2.49	2.49	2.49	2.49	2.51	2.51	2.51	2.51	
1250	-15	TC	7.50	7.56	7.65	7.74	7.88	7.88	7.88	7.97	8.09	8.09	8.09	8.09	8.58	8.58	8.58	8.58
		S/T	0.76	0.88	0.98	1.00	0.59	0.70	0.81	0.91	0.51	0.62	0.72	0.82	0.33	0.42	0.52	0.62

		PI	1.33	1.33	1.33	1.33	1.32	1.32	1.32	1.32	1.32	1.32	1.32	1.32	1.32	1.32	1.32	
	-10	TC	7.45	7.51	7.60	7.69	7.84	7.84	7.84	7.93	8.05	8.05	8.05	8.05	8.55	8.55	8.55	8.55
		S/T	0.77	0.88	0.99	1.00	0.59	0.70	0.82	0.91	0.51	0.62	0.73	0.82	0.33	0.43	0.52	0.62
		PI	1.32	1.32	1.32	1.32	1.32	1.32	1.32	1.32	1.32	1.32	1.32	1.32	1.32	1.32	1.32	1.32
	-5	TC	7.41	7.47	7.56	7.65	7.81	7.81	7.81	7.90	8.02	8.02	8.02	8.02	8.53	8.53	8.53	8.53
		S/T	0.77	0.89	0.99	1.00	0.59	0.70	0.82	0.92	0.52	0.62	0.73	0.83	0.33	0.43	0.53	0.62
		PI	1.32	1.32	1.32	1.32	1.31	1.31	1.31	1.31	1.32	1.32	1.32	1.32	1.32	1.32	1.32	1.32
	0	TC	7.37	7.43	7.52	7.61	7.78	7.78	7.78	7.87	7.99	7.99	7.99	7.99	8.52	8.52	8.52	8.52
		S/T	0.77	0.89	1.00	1.00	0.60	0.71	0.82	0.92	0.52	0.63	0.74	0.83	0.33	0.43	0.53	0.63
		PI	1.32	1.32	1.32	1.32	1.32	1.32	1.32	1.32	1.32	1.32	1.32	1.32	1.32	1.32	1.32	1.32
	5	TC	7.33	7.39	7.48	7.57	7.75	7.75	7.75	7.84	7.97	7.97	7.97	7.97	8.51	8.51	8.51	8.51
		S/T	0.78	0.90	1.00	1.00	0.60	0.71	0.83	0.93	0.52	0.63	0.74	0.84	0.33	0.43	0.53	0.63
		PI	1.34	1.34	1.34	1.34	1.33	1.33	1.33	1.33	1.33	1.33	1.33	1.33	1.33	1.33	1.33	1.33
	10	TC	7.29	7.35	7.44	7.52	7.71	7.71	7.71	7.80	7.93	7.93	7.93	7.93	8.49	8.49	8.49	8.49
		S/T	0.78	0.90	1.00	1.00	0.60	0.71	0.83	0.93	0.52	0.63	0.74	0.84	0.34	0.44	0.53	0.63
		PI	1.36	1.36	1.36	1.36	1.35	1.35	1.35	1.35	1.35	1.35	1.35	1.35	1.35	1.35	1.35	1.35
	15	TC	7.23	7.29	7.38	7.46	7.66	7.66	7.66	7.75	7.89	7.89	7.89	7.89	8.46	8.46	8.46	8.46
		S/T	0.79	0.91	1.00	1.00	0.61	0.72	0.84	0.94	0.53	0.64	0.75	0.85	0.34	0.44	0.54	0.64
		PI	1.39	1.39	1.39	1.39	1.38	1.38	1.38	1.38	1.39	1.39	1.39	1.39	1.38	1.38	1.38	1.38
	20	TC	7.15	7.21	7.29	7.38	7.58	7.58	7.58	7.67	7.81	7.81	7.81	7.81	8.38	8.38	8.38	8.38
		S/T	0.79	0.91	1.00	1.00	0.61	0.72	0.84	0.94	0.53	0.64	0.75	0.85	0.34	0.44	0.54	0.64
		PI	1.44	1.44	1.44	1.44	1.43	1.43	1.43	1.43	1.43	1.43	1.43	1.43	1.42	1.42	1.42	1.42
	25	TC	6.83	6.89	6.95	7.01	7.26	7.26	7.26	7.35	7.46	7.46	7.46	7.46	8.04	8.04	8.04	8.04
		S/T	0.81	0.93	1.00	1.00	0.62	0.74	0.85	0.96	0.54	0.65	0.76	0.87	0.34	0.44	0.55	0.65
		PI	1.59	1.59	1.59	1.59	1.59	1.59	1.59	1.59	1.59	1.59	1.59	1.59	1.59	1.59	1.59	1.59
	30	TC	6.52	6.57	6.63	6.69	6.92	6.92	6.92	6.98	7.12	7.12	7.12	7.18	7.69	7.69	7.69	7.69
		S/T	0.82	0.95	1.00	1.00	0.63	0.75	0.87	0.99	0.54	0.66	0.78	0.89	0.34	0.44	0.55	0.66
		PI	1.73	1.73	1.73	1.73	1.73	1.73	1.73	1.73	1.74	1.74	1.74	1.74	1.74	1.74	1.74	1.74
	35	TC	6.17	6.23	6.29	6.34	6.57	6.57	6.63	6.69	6.78	6.78	6.89	6.95	7.32	7.32	7.32	7.32
		S/T	0.84	0.97	1.00	1.00	0.64	0.77	0.89	1.00	0.55	0.67	0.79	0.91	0.33	0.45	0.56	0.68
		PI	1.90	1.90	1.90	1.90	1.90	1.90	1.90	1.90	1.91	1.91	1.91	1.91	1.91	1.91	1.91	1.91
	40	TC	5.78	5.83	5.89	5.95	6.15	6.15	6.21	6.26	6.35	6.35	6.41	6.47	6.86	6.86	6.86	6.86
		S/T	0.88	1.00	1.00	1.00	0.66	0.80	0.93	1.00	0.56	0.69	0.83	0.96	0.33	0.45	0.58	0.70
		PI	2.10	2.10	2.10	2.10	2.10	2.10	2.10	2.10	2.11	2.11	2.11	2.11	2.11	2.11	2.11	2.11
	46	TC	5.36	5.41	5.47	5.53	5.70	5.70	5.76	5.81	5.90	5.90	5.90	5.95	6.38	6.38	6.38	6.38
		S/T	0.89	1.00	1.00	1.00	0.67	0.81	0.95	1.00	0.56	0.70	0.84	0.98	0.33	0.46	0.59	0.72
		PI	2.33	2.33	2.33	2.33	2.34	2.34	2.34	2.34	2.34	2.34	2.34	2.34	2.36	2.36	2.36	2.36
	50	TC	5.01	5.07	5.13	5.19	5.36	5.36	5.41	5.47	5.56	5.56	5.56	5.61	6.01	6.01	6.01	6.01
		S/T	0.92	1.00	1.00	1.00	0.68	0.84	0.99	1.00	0.57	0.72	0.87	1.00	0.32	0.46	0.60	0.91
		PI	2.52	2.52	2.52	2.52	2.53	2.53	2.53	2.53	2.54	2.54	2.54	2.54	2.56	2.56	2.56	2.56
1400	-15	TC	7.68	7.77	7.86	7.95	8.06	8.06	8.06	8.15	8.26	8.26	8.26	8.35	8.79	8.79	8.79	8.79
		S/T	0.79	0.91	1.00	1.00	0.61	0.72	0.84	0.98	0.52	0.64	0.75	0.86	0.33	0.42	0.53	0.64
		PI	1.35	1.35	1.35	1.35	1.35	1.35	1.35	1.35	1.35	1.35	1.35	1.35	1.34	1.34	1.34	1.34
	-10	TC	7.63	7.72	7.81	7.90	8.02	8.02	8.02	8.10	8.22	8.22	8.22	8.31	8.76	8.76	8.76	8.76
		S/T	0.80	0.91	1.00	1.00	0.61	0.73	0.84	0.98	0.52	0.64	0.76	0.86	0.33	0.43	0.53	0.64
		PI	1.35	1.35	1.35	1.35	1.34	1.34	1.34	1.34	1.35	1.35	1.35	1.35	1.34	1.34	1.34	1.34
	-5	TC	7.59	7.68	7.77	7.85	7.99	7.99	7.99	8.07	8.19	8.19	8.19	8.28	8.73	8.73	8.73	8.73
		S/T	0.80	0.92	1.00	1.00	0.61	0.73	0.85	0.99	0.53	0.64	0.76	0.87	0.33	0.43	0.54	0.64

	PI	1.35	1.35	1.35	1.35	1.34	1.34	1.34	1.34	1.35	1.35	1.35	1.35	1.35	1.35	1.35	1.35
0	TC	7.55	7.64	7.73	7.82	7.96	7.96	7.96	8.04	8.17	8.17	8.17	8.26	8.73	8.73	8.73	8.73
	S/T	0.80	0.92	1.00	1.00	0.62	0.74	0.85	0.99	0.53	0.65	0.76	0.87	0.33	0.43	0.54	0.65
	PI	1.35	1.35	1.35	1.35	1.35	1.35	1.35	1.35	1.35	1.35	1.35	1.35	1.35	1.35	1.35	1.35
5	TC	7.51	7.60	7.69	7.78	7.93	7.93	7.93	8.01	8.14	8.14	8.14	8.23	8.72	8.72	8.72	8.72
	S/T	0.81	0.93	1.00	1.00	0.62	0.74	0.86	1.00	0.53	0.65	0.77	0.88	0.33	0.43	0.54	0.65
	PI	1.36	1.36	1.36	1.36	1.36	1.36	1.36	1.36	1.36	1.36	1.36	1.36	1.36	1.36	1.36	1.36
10	TC	7.47	7.55	7.64	7.73	7.89	7.89	7.89	7.98	8.11	8.11	8.11	8.20	8.70	8.70	8.70	8.70
	S/T	0.81	0.93	1.00	1.00	0.62	0.74	0.86	1.00	0.53	0.65	0.77	0.88	0.34	0.44	0.54	0.65
	PI	1.39	1.39	1.39	1.39	1.38	1.38	1.38	1.38	1.38	1.38	1.38	1.38	1.38	1.38	1.38	1.38
15	TC	7.40	7.49	7.58	7.67	7.83	7.83	7.83	7.92	8.06	8.06	8.06	8.15	8.66	8.66	8.66	8.66
	S/T	0.82	0.94	1.00	1.00	0.63	0.75	0.87	0.99	0.54	0.66	0.78	0.89	0.34	0.44	0.55	0.66
	PI	1.42	1.42	1.42	1.42	1.41	1.41	1.41	1.41	1.41	1.41	1.41	1.41	1.41	1.41	1.41	1.41
20	TC	7.32	7.41	7.49	7.58	7.75	7.75	7.75	7.84	7.98	7.98	7.98	8.07	8.58	8.58	8.58	8.58
	S/T	0.82	0.94	1.00	1.00	0.63	0.75	0.87	0.99	0.54	0.66	0.78	0.89	0.34	0.44	0.55	0.66
	PI	1.47	1.47	1.47	1.47	1.46	1.46	1.46	1.46	1.46	1.46	1.46	1.46	1.45	1.45	1.45	1.45
25	TC	6.98	7.03	7.09	7.15	7.41	7.41	7.49	7.58	7.64	7.64	7.64	7.72	8.21	8.21	8.21	8.21
	S/T	0.84	0.97	1.00	1.00	0.64	0.76	0.89	1.00	0.55	0.67	0.79	0.91	0.33	0.45	0.56	0.68
	PI	1.62	1.62	1.62	1.62	1.62	1.62	1.62	1.62	1.62	1.62	1.62	1.62	1.62	1.62	1.62	1.62
30	TC	6.63	6.69	6.75	6.80	7.06	7.06	7.12	7.18	7.29	7.29	7.29	7.38	7.84	7.84	7.84	7.84
	S/T	0.86	0.99	1.00	1.00	0.65	0.78	0.91	1.00	0.55	0.68	0.81	0.93	0.33	0.45	0.57	0.69
	PI	1.77	1.77	1.77	1.77	1.77	1.77	1.77	1.77	1.77	1.77	1.77	1.77	1.78	1.78	1.78	1.78
35	TC	6.32	6.37	6.43	6.49	6.72	6.72	6.78	6.83	6.92	6.92	7.03	7.09	7.46	7.46	7.46	7.46
	S/T	0.87	1.00	1.00	1.00	0.66	0.80	0.93	1.00	0.56	0.69	0.82	0.95	0.33	0.45	0.58	0.70
	PI	1.94	1.94	1.94	1.94	1.94	1.94	1.94	1.94	1.95	1.95	1.95	1.95	1.96	1.96	1.96	1.96
40	TC	5.91	5.96	6.02	6.08	6.29	6.29	6.35	6.41	6.48	6.48	6.57	6.62	7.01	7.01	7.01	7.01
	S/T	0.92	1.00	1.00	1.00	0.68	0.83	0.98	1.00	0.57	0.72	0.87	1.00	0.32	0.46	0.60	0.90
	PI	2.14	2.14	2.14	2.14	2.14	2.14	2.14	2.14	2.15	2.15	2.15	2.15	2.16	2.16	2.16	2.16
46	TC	5.47	5.53	5.58	5.64	5.84	5.84	5.90	5.95	6.01	6.01	6.07	6.13	6.52	6.52	6.52	6.52
	S/T	0.93	1.00	1.00	1.00	0.69	0.85	1.00	1.00	0.58	0.73	0.88	1.00	0.32	0.46	0.61	0.92
	PI	2.38	2.38	2.38	2.38	2.39	2.39	2.39	2.39	2.39	2.39	2.39	2.39	2.41	2.41	2.41	2.41
50	TC	5.13	5.19	5.24	5.30	5.47	5.47	5.53	5.58	5.67	5.67	5.73	5.78	6.13	6.13	6.13	6.13
	S/T	0.97	1.00	1.00	1.00	0.71	0.88	1.00	1.00	0.59	0.75	0.91	1.00	0.32	0.47	0.62	0.97
	PI	2.58	2.58	2.58	2.58	2.59	2.59	2.59	2.59	2.59	2.59	2.59	2.59	2.62	2.62	2.62	2.62

7.2 Heating

YEKE12BZTMCMOWX									
									[SI_Unit]
INDOOR AIRFLOW (CMH)	HEATING PERFORMANCE AT INDOOR DRY BULB TEMPERATURE								
	OUTDOOR DB (°C)	TC : TOTAL CAPACITY IN KILOWATTS				PI : TOTAL POWER IN KILOWATTS			
		Indoor Conditions (DB °C)				Indoor Conditions (DB °C)			
		16.0	20.0	22.0	24.0	16.0	20.0	22.0	24.0
300	-15.0	2.43	2.41	2.41	2.38	0.79	0.81	0.83	0.84
	-10.0	2.60	2.57	2.57	2.54	0.84	0.87	0.89	0.90
	-7.0	2.72	2.69	2.69	2.66	0.89	0.92	0.94	0.95
	-5.6	2.78	2.75	2.75	2.72	0.90	0.93	0.94	0.96
	-2.8	2.84	2.81	2.78	2.78	0.91	0.94	0.96	0.97
	0.0	2.87	2.84	2.81	2.78	0.93	0.96	0.98	0.99
	2.8	2.98	2.95	2.92	2.89	0.95	0.99	1.00	1.02
	5.6	3.21	3.18	3.15	3.13	0.98	1.01	1.03	1.05
	7.0	3.46	3.43	3.37	3.34	1.00	1.05	1.05	1.06
	11.1	3.60	3.58	3.55	3.52	1.03	1.06	1.08	1.10
	13.9	3.75	3.69	3.66	3.63	1.05	1.08	1.10	1.12
	16.7	3.87	3.81	3.78	3.75	1.07	1.10	1.12	1.14
18.0	3.92	3.87	3.84	3.81	1.08	1.11	1.13	1.15	
480	-15.0	2.48	2.45	2.43	2.43	0.80	0.82	0.84	0.85
	-10.0	2.65	2.62	2.59	2.59	0.85	0.88	0.90	0.90
	-7.0	2.77	2.74	2.72	2.72	0.90	0.93	0.95	0.96
	-5.6	2.84	2.81	2.78	2.78	0.91	0.94	0.95	0.97
	-2.8	2.89	2.87	2.84	2.84	0.92	0.96	0.97	0.99
	0.0	2.92	2.87	2.87	2.84	0.94	0.97	0.99	1.00
	2.8	3.04	3.01	2.98	2.95	0.97	1.00	1.01	1.03
	5.6	3.27	3.21	3.21	3.18	0.99	1.02	1.04	1.06
	7.0	3.55	3.49	3.43	3.40	1.01	1.06	1.06	1.07
	11.1	3.66	3.63	3.60	3.58	1.04	1.07	1.09	1.11
	13.9	3.81	3.75	3.72	3.69	1.06	1.09	1.11	1.13
	16.7	3.92	3.87	3.84	3.81	1.08	1.11	1.13	1.15
18.0	3.98	3.92	3.89	3.87	1.09	1.12	1.14	1.16	
600	-15.0	2.51	2.48	2.48	2.46	0.80	0.83	0.85	0.86
	-10.0	2.68	2.65	2.65	2.63	0.86	0.89	0.90	0.91
	-7.0	2.81	2.78	2.78	2.75	0.91	0.94	0.96	0.97
	-5.6	2.87	2.84	2.84	2.81	0.92	0.95	0.96	0.98
	-2.8	2.92	2.89	2.87	2.87	0.93	0.96	0.98	0.99
	0.0	2.95	2.89	2.89	2.87	0.95	0.98	1.00	1.01
	2.8	3.07	3.04	3.01	2.98	0.97	1.01	1.02	1.04
	5.6	3.30	3.24	3.24	3.21	1.00	1.03	1.05	1.07
	7.0	3.58	3.52	3.46	3.43	1.02	1.07	1.07	1.08
	11.1	3.69	3.66	3.63	3.60	1.05	1.08	1.10	1.12
	13.9	3.84	3.78	3.75	3.72	1.07	1.10	1.12	1.14
	16.7	3.95	3.89	3.87	3.84	1.09	1.12	1.14	1.16
18.0	4.01	3.95	3.92	3.89	1.10	1.13	1.15	1.17	

YEKE18BZTMCMOWX									
									[SI_Unit]
INDOOR AIRFLOW (CMH)	HEATING PERFORMANCE AT INDOOR DRY BULB TEMPERATURE								
	OUTDOOR DB (°C)	TC : TOTAL CAPACITY IN KILOWATTS				PI : TOTAL POWER IN KILOWATTS			
		Indoor Conditions (DB °C)				Indoor Conditions (DB °C)			
		16.0	20.0	22.0	24.0	16.0	20.0	22.0	24.0
630	-15.0	3.55	3.53	3.50	3.48	1.22	1.26	1.28	1.30
	-10.0	3.79	3.77	3.74	3.71	1.30	1.34	1.37	1.39
	-7.0	3.97	3.95	3.92	3.89	1.38	1.42	1.45	1.47
	-5.6	4.09	4.06	4.03	4.00	1.39	1.43	1.45	1.48
	-2.8	4.18	4.15	4.12	4.09	1.41	1.45	1.48	1.50
	0.0	4.24	4.18	4.15	4.12	1.43	1.48	1.50	1.52
	2.8	4.44	4.38	4.35	4.32	1.47	1.52	1.54	1.57
	5.6	4.79	4.73	4.70	4.67	1.51	1.56	1.58	1.61
	7.0	5.16	5.10	4.99	4.96	1.53	1.61	1.61	1.63
	11.1	5.39	5.30	5.28	5.25	1.57	1.63	1.65	1.68
	13.9	5.59	5.51	5.48	5.42	1.60	1.66	1.69	1.71
	16.7	5.80	5.71	5.65	5.62	1.63	1.69	1.72	1.75
	18.0	5.88	5.80	5.77	5.71	1.65	1.70	1.73	1.76
765	-15.0	3.65	3.59	3.59	3.57	1.23	1.27	1.29	1.31
	-10.0	3.89	3.84	3.84	3.81	1.31	1.35	1.38	1.39
	-7.0	4.08	4.02	4.02	3.99	1.39	1.43	1.46	1.48
	-5.6	4.18	4.12	4.12	4.09	1.40	1.44	1.47	1.49
	-2.8	4.27	4.24	4.21	4.18	1.42	1.47	1.49	1.52
	0.0	4.32	4.27	4.24	4.21	1.44	1.49	1.52	1.54
	2.8	4.53	4.47	4.44	4.41	1.48	1.53	1.56	1.58
	5.6	4.90	4.85	4.79	4.76	1.52	1.57	1.60	1.63
	7.0	5.28	5.22	5.10	5.07	1.55	1.63	1.63	1.65
	11.1	5.51	5.45	5.39	5.36	1.59	1.65	1.68	1.70
	13.9	5.71	5.65	5.59	5.57	1.62	1.68	1.71	1.74
	16.7	5.91	5.83	5.80	5.77	1.66	1.71	1.74	1.77
	18.0	6.03	5.94	5.88	5.86	1.67	1.73	1.76	1.79
900	-15.0	3.66	3.63	3.61	3.58	1.25	1.28	1.31	1.32
	-10.0	3.90	3.88	3.85	3.82	1.33	1.37	1.39	1.41
	-7.0	4.09	4.06	4.03	4.01	1.41	1.45	1.48	1.50
	-5.6	4.21	4.18	4.15	4.12	1.42	1.46	1.49	1.51
	-2.8	4.32	4.27	4.24	4.21	1.44	1.49	1.51	1.53
	0.0	4.38	4.32	4.29	4.27	1.46	1.51	1.54	1.56
	2.8	4.58	4.53	4.50	4.47	1.50	1.55	1.58	1.60
	5.6	4.96	4.87	4.85	4.82	1.54	1.59	1.62	1.65
	7.0	5.37	5.28	5.16	5.13	1.57	1.65	1.65	1.67
	11.1	5.57	5.51	5.45	5.42	1.61	1.67	1.70	1.72
	13.9	5.80	5.71	5.65	5.62	1.64	1.70	1.73	1.76
	16.7	6.00	5.91	5.86	5.83	1.68	1.73	1.76	1.79
	18.0	6.09	6.00	5.97	5.91	1.69	1.75	1.78	1.81

YEKE24BZTMCMOWX									
									[SI_Unit]
INDOOR AIRFLOW (CMH)	HEATING PERFORMANCE AT INDOOR DRY BULB TEMPERATURE								
	OUTDOOR DB (°C)	TC : TOTAL CAPACITY IN KILOWATTS				PI : TOTAL POWER IN KILOWATTS			
		Indoor Conditions (DB °C)				Indoor Conditions (DB °C)			
		16.0	20.0	22.0	24.0	16.0	20.0	22.0	24.0
740	-15.0	4.82	4.77	4.74	4.72	1.52	1.57	1.59	1.62
	-10.0	5.14	5.09	5.06	5.04	1.63	1.67	1.70	1.73
	-7.0	5.39	5.33	5.30	5.28	1.73	1.78	1.81	1.84
	-5.6	5.54	5.48	5.45	5.42	1.74	1.79	1.82	1.85
	-2.8	5.68	5.59	5.56	5.54	1.76	1.82	1.85	1.87
	0.0	5.74	5.65	5.62	5.59	1.79	1.84	1.87	1.90
	2.8	6.00	5.94	5.88	5.85	1.83	1.89	1.92	1.95
	5.6	6.49	6.40	6.38	6.32	1.87	1.94	1.97	2.00
	7.0	7.04	6.95	6.80	6.74	1.89	1.99	1.99	2.02
	11.1	7.33	7.24	7.18	7.15	1.94	2.01	2.04	2.07
	13.9	7.62	7.50	7.47	7.41	1.98	2.04	2.08	2.11
	16.7	7.88	7.79	7.73	7.67	2.01	2.08	2.12	2.15
18.0	8.02	7.91	7.85	7.79	2.03	2.10	2.13	2.17	
1180	-15.0	4.92	4.87	4.84	4.82	1.53	1.58	1.61	1.63
	-10.0	5.25	5.20	5.17	5.14	1.64	1.69	1.72	1.74
	-7.0	5.50	5.45	5.42	5.39	1.74	1.79	1.83	1.85
	-5.6	5.65	5.59	5.56	5.54	1.75	1.81	1.84	1.86
	-2.8	5.80	5.71	5.68	5.65	1.78	1.83	1.86	1.89
	0.0	5.85	5.80	5.74	5.71	1.80	1.86	1.89	1.92
	2.8	6.14	6.06	6.03	5.97	1.85	1.91	1.94	1.97
	5.6	6.64	6.55	6.49	6.46	1.89	1.96	1.99	2.02
	7.0	7.19	7.09	6.95	6.89	1.91	2.01	2.01	2.04
	11.1	7.50	7.38	7.35	7.30	1.96	2.03	2.06	2.09
	13.9	7.76	7.67	7.62	7.56	2.00	2.07	2.10	2.13
	16.7	8.05	7.94	7.88	7.82	2.03	2.10	2.14	2.17
18.0	8.20	8.08	8.02	7.97	2.05	2.12	2.15	2.19	
1320	-15.0	4.97	4.92	4.90	4.87	1.55	1.59	1.62	1.65
	-10.0	5.31	5.26	5.23	5.20	1.65	1.70	1.73	1.76
	-7.0	5.56	5.51	5.48	5.45	1.76	1.81	1.84	1.87
	-5.6	5.71	5.65	5.62	5.59	1.77	1.82	1.85	1.88
	-2.8	5.85	5.77	5.74	5.71	1.79	1.85	1.88	1.91
	0.0	5.91	5.83	5.80	5.77	1.82	1.88	1.91	1.94
	2.8	6.20	6.12	6.06	6.03	1.86	1.93	1.96	1.99
	5.6	6.69	6.61	6.55	6.52	1.91	1.97	2.01	2.04
	7.0	7.25	7.15	7.01	6.95	1.93	2.03	2.03	2.06
	11.1	7.56	7.44	7.41	7.35	1.98	2.05	2.08	2.12
	13.9	7.82	7.73	7.67	7.62	2.02	2.09	2.12	2.16
	16.7	8.11	7.99	7.94	7.88	2.06	2.13	2.16	2.20
18.0	8.26	8.14	8.08	8.02	2.07	2.14	2.18	2.21	

YFKE18BZTMCMORX									
									[SI_Unit]
INDOOR AIRFLOW (CMH)	HEATING PERFORMANCE AT INDOOR DRY BULB TEMPERATURE								
	OUTDOOR DB (°C)	TC : TOTAL CAPACITY IN KILOWATTS				PI : TOTAL POWER IN KILOWATTS			
		Indoor Conditions (DB °C)				Indoor Conditions (DB °C)			
		16.0	20.0	22.0	24.0	16.0	20.0	22.0	24.0
715	-15.0	3.81	3.76	3.74	3.74	1.24	1.28	1.29	1.31
	-10.0	4.07	4.02	3.99	3.99	1.32	1.36	1.38	1.40
	-7.0	4.27	4.21	4.18	4.18	1.41	1.45	1.47	1.49
	-5.6	4.33	4.27	4.24	4.24	1.41	1.46	1.48	1.50
	-2.8	4.35	4.33	4.30	4.27	1.43	1.47	1.50	1.52
	0.0	4.38	4.33	4.30	4.27	1.45	1.49	1.52	1.54
	2.8	4.53	4.47	4.44	4.41	1.48	1.53	1.55	1.57
	5.6	4.85	4.76	4.73	4.70	1.51	1.56	1.58	1.60
	7.0	5.19	5.10	5.01	4.99	1.52	1.60	1.60	1.62
	11.1	5.33	5.28	5.25	5.19	1.56	1.61	1.64	1.66
	13.9	5.51	5.42	5.39	5.33	1.59	1.64	1.66	1.69
	16.7	5.65	5.57	5.54	5.48	1.61	1.67	1.69	1.72
	18.0	5.74	5.65	5.59	5.57	1.62	1.68	1.70	1.73
825	-15.0	3.86	3.83	3.81	3.78	1.25	1.29	1.31	1.33
	-10.0	4.12	4.09	4.06	4.04	1.33	1.38	1.40	1.42
	-7.0	4.31	4.29	4.26	4.23	1.42	1.46	1.49	1.51
	-5.6	4.38	4.35	4.33	4.30	1.43	1.47	1.49	1.52
	-2.8	4.44	4.41	4.38	4.35	1.45	1.49	1.51	1.54
	0.0	4.47	4.41	4.38	4.35	1.46	1.51	1.53	1.56
	2.8	4.62	4.56	4.53	4.50	1.50	1.55	1.57	1.58
	5.6	4.94	4.88	4.85	4.82	1.53	1.58	1.60	1.62
	7.0	5.28	5.22	5.13	5.10	1.54	1.62	1.62	1.64
	11.1	5.48	5.39	5.36	5.33	1.58	1.63	1.66	1.68
	13.9	5.62	5.57	5.51	5.48	1.61	1.66	1.69	1.71
	16.7	5.80	5.71	5.68	5.62	1.63	1.69	1.71	1.74
	18.0	5.88	5.80	5.74	5.71	1.65	1.70	1.73	1.75
932	-15.0	3.92	3.87	3.87	3.84	1.27	1.30	1.32	1.35
	-10.0	4.18	4.13	4.13	4.10	1.35	1.39	1.41	1.44
	-7.0	4.38	4.33	4.33	4.30	1.44	1.48	1.50	1.53
	-5.6	4.44	4.38	4.38	4.35	1.44	1.49	1.51	1.53
	-2.8	4.50	4.44	4.41	4.38	1.46	1.51	1.53	1.55
	0.0	4.50	4.44	4.41	4.38	1.48	1.53	1.55	1.57
	2.8	4.67	4.62	4.59	4.56	1.51	1.56	1.58	1.60
	5.6	4.99	4.94	4.91	4.88	1.55	1.59	1.61	1.64
	7.0	5.34	5.28	5.19	5.16	1.56	1.64	1.64	1.66
	11.1	5.54	5.45	5.42	5.39	1.60	1.65	1.68	1.71
	13.9	5.71	5.62	5.57	5.54	1.63	1.68	1.71	1.74
	16.7	5.86	5.77	5.74	5.68	1.65	1.71	1.74	1.76
	18.0	5.94	5.86	5.80	5.77	1.67	1.72	1.75	1.78

YFKE24BZTMCMORX									
									[SI_Unit]
INDOOR AIRFLOW (CMH)	HEATING PERFORMANCE AT INDOOR DRY BULB TEMPERATURE								
	OUTDOOR DB (°C)	TC : TOTAL CAPACITY IN KILOWATTS				PI : TOTAL POWER IN KILOWATTS			
		Indoor Conditions (DB °C)				Indoor Conditions (DB °C)			
		16.0	20.0	22.0	24.0	16.0	20.0	22.0	24.0
1017	-15.0	5.11	5.06	5.04	4.99	1.42	1.47	1.48	1.51
	-10.0	5.46	5.41	5.38	5.32	1.52	1.56	1.58	1.61
	-7.0	5.72	5.66	5.64	5.58	1.61	1.66	1.68	1.71
	-5.6	5.81	5.75	5.72	5.66	1.61	1.66	1.69	1.71
	-2.8	5.87	5.81	5.75	5.72	1.63	1.68	1.70	1.73
	0.0	5.87	5.78	5.75	5.72	1.64	1.69	1.72	1.74
	2.8	6.07	5.98	5.95	5.90	1.68	1.73	1.75	1.78
	5.6	6.48	6.39	6.33	6.30	1.71	1.76	1.79	1.81
	7.0	6.92	6.83	6.71	6.69	1.73	1.81	1.81	1.84
	11.1	7.15	7.06	7.00	6.95	1.76	1.82	1.85	1.87
	13.9	7.35	7.24	7.21	7.15	1.79	1.84	1.87	1.90
	16.7	7.56	7.44	7.38	7.32	1.81	1.87	1.90	1.93
18.0	7.64	7.53	7.47	7.41	1.82	1.88	1.91	1.94	
1204	-15.0	5.22	5.17	5.15	5.12	1.44	1.49	1.50	1.53
	-10.0	5.58	5.52	5.50	5.47	1.54	1.59	1.60	1.63
	-7.0	5.84	5.79	5.76	5.73	1.63	1.68	1.70	1.73
	-5.6	5.93	5.87	5.84	5.81	1.64	1.68	1.71	1.73
	-2.8	5.98	5.93	5.90	5.87	1.65	1.70	1.72	1.75
	0.0	5.98	5.90	5.87	5.84	1.66	1.71	1.74	1.77
	2.8	6.19	6.10	6.07	6.04	1.70	1.75	1.77	1.80
	5.6	6.59	6.51	6.48	6.42	1.73	1.78	1.81	1.83
	7.0	7.07	6.98	6.86	6.83	1.75	1.83	1.83	1.86
	11.1	7.30	7.21	7.15	7.09	1.78	1.84	1.87	1.89
	13.9	7.50	7.41	7.35	7.30	1.81	1.86	1.89	1.92
	16.7	7.70	7.59	7.56	7.50	1.83	1.89	1.92	1.95
18.0	7.82	7.70	7.64	7.59	1.84	1.90	1.93	1.96	
1290	-15.0	5.27	5.22	5.19	5.14	1.46	1.50	1.52	1.55
	-10.0	5.63	5.57	5.55	5.49	1.56	1.60	1.62	1.65
	-7.0	5.90	5.84	5.81	5.75	1.65	1.70	1.72	1.75
	-5.6	5.98	5.93	5.90	5.84	1.65	1.70	1.73	1.75
	-2.8	6.04	5.98	5.93	5.90	1.67	1.72	1.74	1.77
	0.0	6.04	5.95	5.93	5.90	1.68	1.73	1.76	1.78
	2.8	6.24	6.16	6.13	6.07	1.71	1.77	1.79	1.82
	5.6	6.65	6.56	6.54	6.48	1.75	1.80	1.83	1.85
	7.0	7.13	7.03	6.92	6.86	1.77	1.85	1.85	1.88
	11.1	7.35	7.27	7.21	7.15	1.80	1.86	1.89	1.92
	13.9	7.56	7.47	7.41	7.35	1.83	1.88	1.91	1.94
	16.7	7.76	7.67	7.62	7.56	1.85	1.91	1.94	1.97
18.0	7.88	7.76	7.70	7.64	1.86	1.92	1.95	1.98	

YEKE12BZTMCMORX									
									[SI_Unit]
INDOOR AIRFLOW (CMH)	HEATING PERFORMANCE AT INDOOR DRY BULB TEMPERATURE								
	OUTDOOR DB (°C)	TC : TOTAL CAPACITY IN KILOWATTS				PI : TOTAL POWER IN KILOWATTS			
		Indoor Conditions (DB °C)				Indoor Conditions (DB °C)			
		16.0	20.0	22.0	24.0	16.0	20.0	22.0	24.0
443	-15.0	2.12	2.09	2.09	2.07	0.72	0.74	0.75	0.76
	-10.0	2.26	2.23	2.23	2.21	0.77	0.79	0.80	0.82
	-7.0	2.37	2.34	2.34	2.31	0.82	0.84	0.85	0.87
	-5.6	2.48	2.46	2.46	2.43	0.82	0.84	0.86	0.87
	-2.8	2.60	2.57	2.54	2.54	0.83	0.86	0.87	0.88
	0.0	2.69	2.66	2.63	2.60	0.84	0.87	0.88	0.90
	2.8	2.86	2.83	2.80	2.77	0.86	0.89	0.90	0.92
	5.6	3.15	3.12	3.09	3.06	0.88	0.91	0.92	0.94
	7.0	3.46	3.43	3.34	3.31	0.89	0.93	0.93	0.94
	11.1	3.66	3.63	3.60	3.58	0.91	0.94	0.95	0.97
	13.9	3.87	3.81	3.78	3.75	0.92	0.95	0.97	0.99
	16.7	4.04	3.98	3.95	3.92	0.94	0.97	0.99	1.00
	18.0	4.13	4.07	4.04	4.01	0.95	0.98	1.00	1.01
525	-15.0	2.16	2.14	2.11	2.11	0.72	0.74	0.76	0.76
	-10.0	2.31	2.28	2.26	2.26	0.77	0.79	0.81	0.82
	-7.0	2.42	2.39	2.36	2.36	0.82	0.84	0.86	0.87
	-5.6	2.54	2.51	2.48	2.48	0.83	0.85	0.86	0.88
	-2.8	2.66	2.63	2.60	2.60	0.84	0.86	0.88	0.89
	0.0	2.74	2.69	2.69	2.66	0.85	0.88	0.89	0.90
	2.8	2.92	2.89	2.86	2.83	0.87	0.90	0.91	0.93
	5.6	3.21	3.15	3.15	3.12	0.89	0.92	0.94	0.95
	7.0	3.55	3.49	3.40	3.37	0.90	0.94	0.94	0.95
	11.1	3.72	3.69	3.66	3.63	0.92	0.95	0.97	0.98
	13.9	3.92	3.87	3.84	3.81	0.94	0.97	0.98	1.00
	16.7	4.10	4.04	4.01	3.98	0.95	0.98	1.00	1.02
	18.0	4.19	4.13	4.10	4.07	0.96	0.99	1.01	1.03
644	-15.0	2.19	2.17	2.17	2.14	0.73	0.75	0.76	0.77
	-10.0	2.34	2.32	2.32	2.29	0.78	0.80	0.81	0.82
	-7.0	2.45	2.43	2.43	2.40	0.83	0.85	0.86	0.88
	-5.6	2.57	2.54	2.54	2.51	0.83	0.86	0.87	0.88
	-2.8	2.69	2.66	2.63	2.63	0.84	0.87	0.88	0.90
	0.0	2.77	2.72	2.72	2.69	0.85	0.88	0.90	0.91
	2.8	2.95	2.92	2.89	2.86	0.88	0.91	0.92	0.93
	5.6	3.24	3.18	3.18	3.15	0.90	0.93	0.94	0.96
	7.0	3.58	3.52	3.43	3.40	0.90	0.95	0.95	0.96
	11.1	3.75	3.72	3.69	3.66	0.93	0.96	0.98	0.99
	13.9	3.95	3.89	3.87	3.84	0.95	0.98	0.99	1.01
	16.7	4.13	4.07	4.04	4.01	0.96	1.00	1.01	1.03
	18.0	4.21	4.16	4.13	4.10	0.97	1.00	1.02	1.04

YKKE18BZTMCMORX									
									[SI_Unit]
INDOOR AIRFLOW (CMH)	HEATING PERFORMANCE AT INDOOR DRY BULB TEMPERATURE								
	OUTDOOR DB (°C)	TC : TOTAL CAPACITY IN KILOWATTS				PI : TOTAL POWER IN KILOWATTS			
		Indoor Conditions (DB °C)				Indoor Conditions (DB °C)			
		16.0	20.0	22.0	24.0	16.0	20.0	22.0	24.0
746	-15.0	3.38	3.33	3.33	3.31	1.24	1.27	1.29	1.31
	-10.0	3.61	3.56	3.56	3.53	1.32	1.36	1.37	1.39
	-7.0	3.78	3.73	3.73	3.70	1.40	1.44	1.46	1.48
	-5.6	3.96	3.90	3.90	3.87	1.40	1.45	1.47	1.49
	-2.8	4.13	4.08	4.05	4.05	1.42	1.47	1.49	1.51
	0.0	4.25	4.22	4.19	4.16	1.44	1.49	1.51	1.53
	2.8	4.54	4.48	4.45	4.42	1.48	1.52	1.55	1.57
	5.6	5.01	4.95	4.89	4.86	1.51	1.56	1.58	1.61
	7.0	5.46	5.39	5.25	5.22	1.52	1.60	1.60	1.62
	11.1	5.77	5.68	5.66	5.63	1.56	1.61	1.64	1.67
	13.9	6.06	5.97	5.95	5.89	1.59	1.64	1.67	1.69
	16.7	6.35	6.26	6.21	6.18	1.62	1.67	1.70	1.72
	18.0	6.50	6.38	6.35	6.29	1.63	1.68	1.71	1.74
825	-15.0	3.44	3.41	3.39	3.36	1.24	1.28	1.30	1.32
	-10.0	3.67	3.64	3.62	3.59	1.33	1.36	1.38	1.41
	-7.0	3.84	3.82	3.79	3.76	1.41	1.45	1.47	1.50
	-5.6	4.05	4.02	3.99	3.96	1.41	1.46	1.48	1.50
	-2.8	4.22	4.19	4.16	4.13	1.43	1.48	1.50	1.53
	0.0	4.37	4.31	4.28	4.25	1.45	1.50	1.53	1.55
	2.8	4.66	4.60	4.57	4.54	1.49	1.54	1.56	1.59
	5.6	5.12	5.04	5.01	4.98	1.53	1.58	1.60	1.63
	7.0	5.61	5.51	5.37	5.34	1.54	1.62	1.62	1.64
	11.1	5.89	5.83	5.77	5.74	1.58	1.64	1.66	1.69
	13.9	6.18	6.09	6.06	6.03	1.61	1.67	1.69	1.72
	16.7	6.47	6.38	6.35	6.29	1.64	1.69	1.72	1.75
	18.0	6.61	6.53	6.47	6.44	1.65	1.71	1.74	1.77
956	-15.0	3.46	3.43	3.41	3.39	1.25	1.29	1.31	1.33
	-10.0	3.69	3.67	3.64	3.61	1.34	1.37	1.40	1.42
	-7.0	3.87	3.84	3.81	3.79	1.42	1.46	1.49	1.51
	-5.6	4.08	4.05	4.02	3.99	1.43	1.47	1.49	1.52
	-2.8	4.28	4.22	4.19	4.16	1.45	1.49	1.52	1.54
	0.0	4.40	4.34	4.31	4.28	1.47	1.52	1.54	1.57
	2.8	4.69	4.63	4.60	4.57	1.51	1.56	1.58	1.61
	5.6	5.15	5.09	5.06	5.04	1.54	1.60	1.62	1.65
	7.0	5.63	5.57	5.42	5.37	1.56	1.64	1.64	1.66
	11.1	5.95	5.89	5.83	5.80	1.60	1.66	1.68	1.71
	13.9	6.26	6.18	6.12	6.09	1.63	1.69	1.72	1.74
	16.7	6.55	6.47	6.41	6.38	1.66	1.72	1.75	1.78
	18.0	6.70	6.61	6.55	6.53	1.68	1.73	1.76	1.79

INDOOR AIRFLOW (CMH)	HEATING PERFORMANCE AT INDOOR DRY BULB TEMPERATURE								
	OUTDOOR DB (°C)	TC : TOTAL CAPACITY IN KILOWATTS				PI : TOTAL POWER IN KILOWATTS			
		Indoor Conditions (DB °C)				Indoor Conditions (DB °C)			
		16.0	20.0	22.0	24.0	16.0	20.0	22.0	24.0
1000	-15.0	4.33	4.28	4.26	4.23	1.57	1.61	1.64	1.67
	-10.0	4.62	4.57	4.55	4.52	1.68	1.72	1.75	1.78
	-7.0	4.84	4.79	4.76	4.73	1.78	1.83	1.86	1.89
	-5.6	5.08	5.02	4.99	4.96	1.79	1.84	1.87	1.90
	-2.8	5.31	5.25	5.22	5.17	1.81	1.87	1.90	1.93
	0.0	5.46	5.40	5.37	5.31	1.84	1.90	1.93	1.96
	2.8	5.83	5.75	5.72	5.69	1.88	1.95	1.98	2.01
	5.6	6.41	6.33	6.27	6.24	1.93	1.99	2.03	2.06
	7.0	7.04	6.95	6.74	6.72	1.96	2.06	2.06	2.09
	11.1	7.44	7.33	7.30	7.24	2.01	2.08	2.11	2.15
	13.9	7.79	7.70	7.65	7.59	2.05	2.12	2.15	2.19
	16.7	8.17	8.05	7.99	7.94	2.09	2.16	2.19	2.23
18.0	8.34	8.23	8.17	8.11	2.10	2.17	2.21	2.24	
1250	-15.0	4.42	4.37	4.34	4.32	1.59	1.63	1.66	1.68
	-10.0	4.72	4.66	4.64	4.61	1.69	1.74	1.77	1.80
	-7.0	4.94	4.89	4.86	4.83	1.80	1.85	1.88	1.91
	-5.6	5.20	5.14	5.11	5.08	1.80	1.86	1.89	1.92
	-2.8	5.43	5.34	5.31	5.28	1.83	1.89	1.92	1.95
	0.0	5.57	5.51	5.49	5.43	1.86	1.92	1.95	1.98
	2.8	5.95	5.86	5.83	5.81	1.90	1.96	2.00	2.03
	5.6	6.53	6.44	6.41	6.36	1.95	2.01	2.05	2.08
	7.0	7.19	7.09	6.89	6.86	1.98	2.08	2.08	2.11
	11.1	7.59	7.50	7.44	7.38	2.03	2.10	2.13	2.17
	13.9	7.97	7.85	7.79	7.76	2.07	2.14	2.17	2.21
	16.7	8.34	8.23	8.17	8.11	2.10	2.18	2.21	2.25
18.0	8.52	8.40	8.34	8.28	2.12	2.19	2.23	2.27	
1400	-15.0	4.46	4.41	4.39	4.36	1.61	1.65	1.68	1.70
	-10.0	4.76	4.71	4.68	4.66	1.71	1.76	1.79	1.81
	-7.0	4.99	4.93	4.91	4.88	1.82	1.87	1.90	1.93
	-5.6	5.22	5.17	5.14	5.11	1.82	1.88	1.91	1.94
	-2.8	5.46	5.40	5.37	5.34	1.85	1.91	1.94	1.97
	0.0	5.63	5.54	5.51	5.49	1.88	1.94	1.97	2.00
	2.8	6.01	5.92	5.89	5.83	1.92	1.98	2.02	2.05
	5.6	6.59	6.50	6.47	6.41	1.97	2.03	2.07	2.10
	7.0	7.25	7.15	6.95	6.92	2.00	2.10	2.10	2.13
	11.1	7.65	7.56	7.50	7.44	2.05	2.12	2.15	2.19
	13.9	8.02	7.91	7.88	7.82	2.09	2.16	2.19	2.23
	16.7	8.40	8.28	8.23	8.17	2.12	2.20	2.23	2.27
18.0	8.58	8.46	8.40	8.34	2.14	2.21	2.25	2.29	

